



# **DOSATRON<sup>®</sup>**

An Ingersoll Rand Business

# **SCHEMATICS**

**Dosatron Liquid Dispenser**

**Model # D14TMZ3000 - 14 GPM**

**1:3000 - 1:333**

**4.3 - 85 PSI**

**3/4" NPT Connection**

**Suggested Installation:**

270 mesh high-temperature filter prior to unit

One-way check valve downstream from unit for water hammer protection

**Suggested Maintenance Interval:**

Replace injection seals every 12 months

**DOSATRON SALES & SERVICE - NORTH & CENTRAL AMERICA**

---

Dosatron International, Inc.

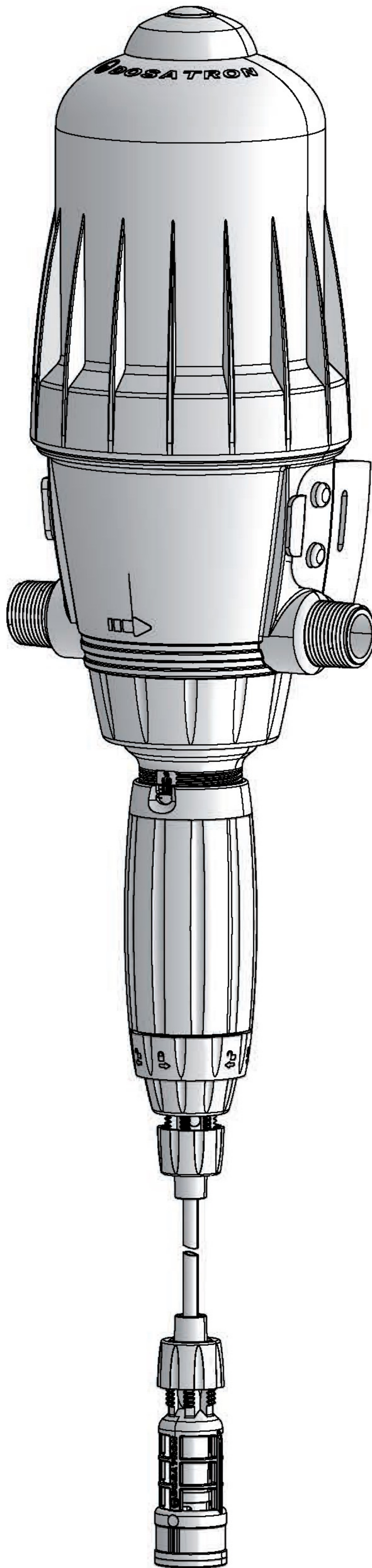
Phone : 727-443-5404 Service : (800) 523-8499

Fax: 727-447-0591

[www.dosatronUSA.com](http://www.dosatronUSA.com)

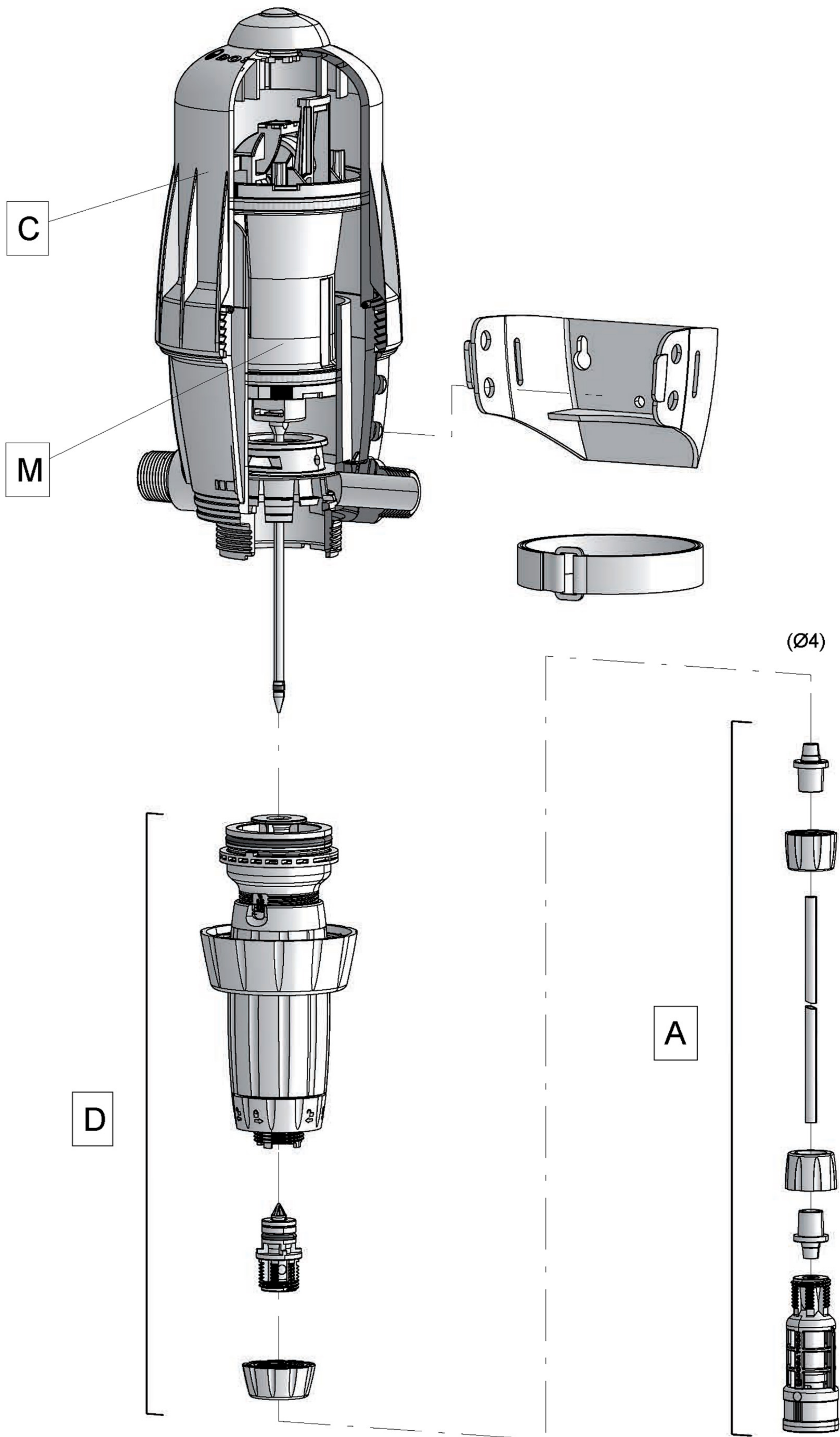
# D14TMZ3000

14 GPM - 1:3000 - 1:333  
3m<sup>3</sup>/h - 0.03 - 0.3%  
4.3 - 85 psi  
0.3 - 6 bar



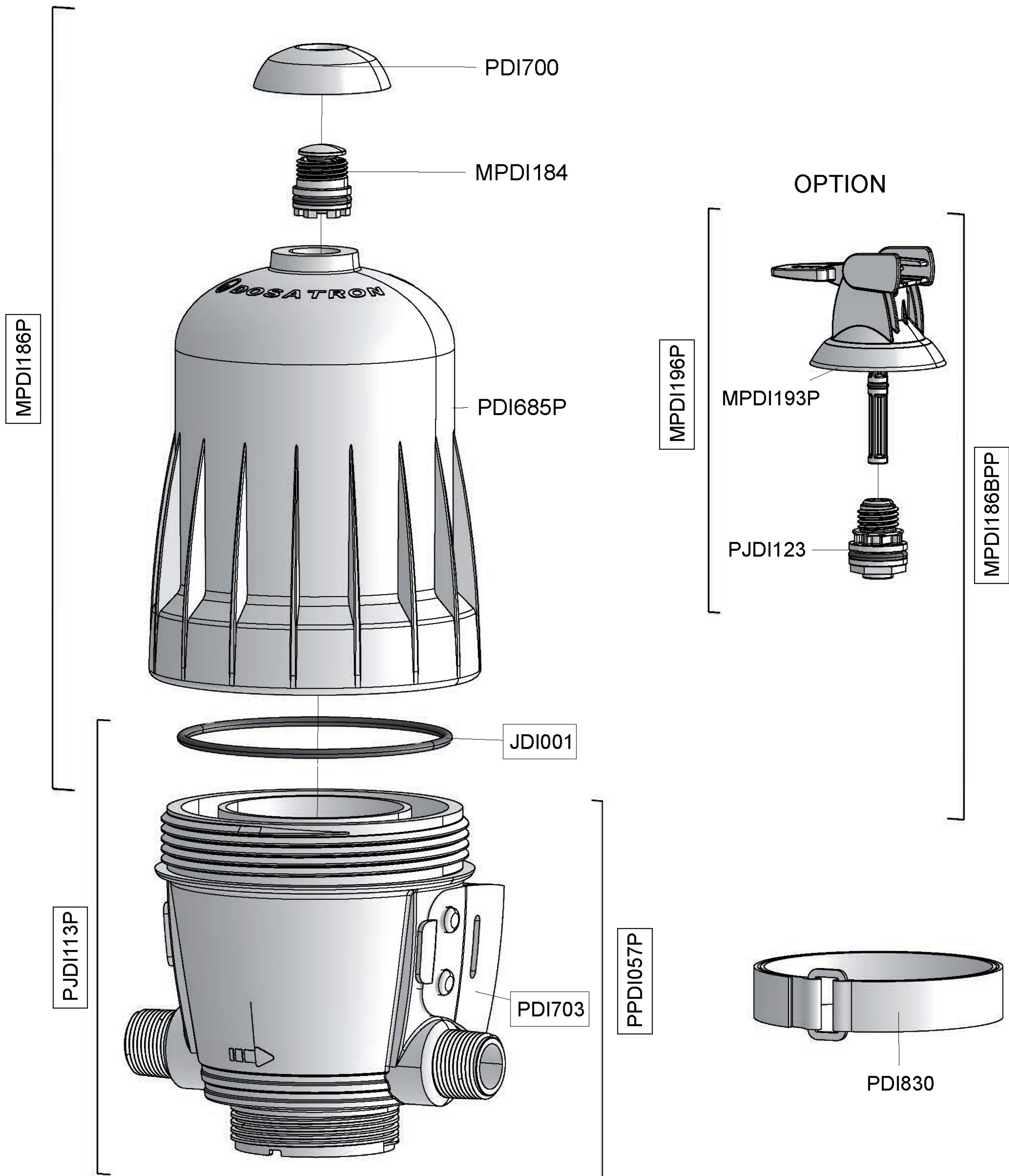
# D14TMZ3000

14 GPM - 1:3000 - 1:333  
3m<sup>3</sup>/h - 0.03 - 0.3%  
4.3 - 85 psi  
0.3 - 6 bar



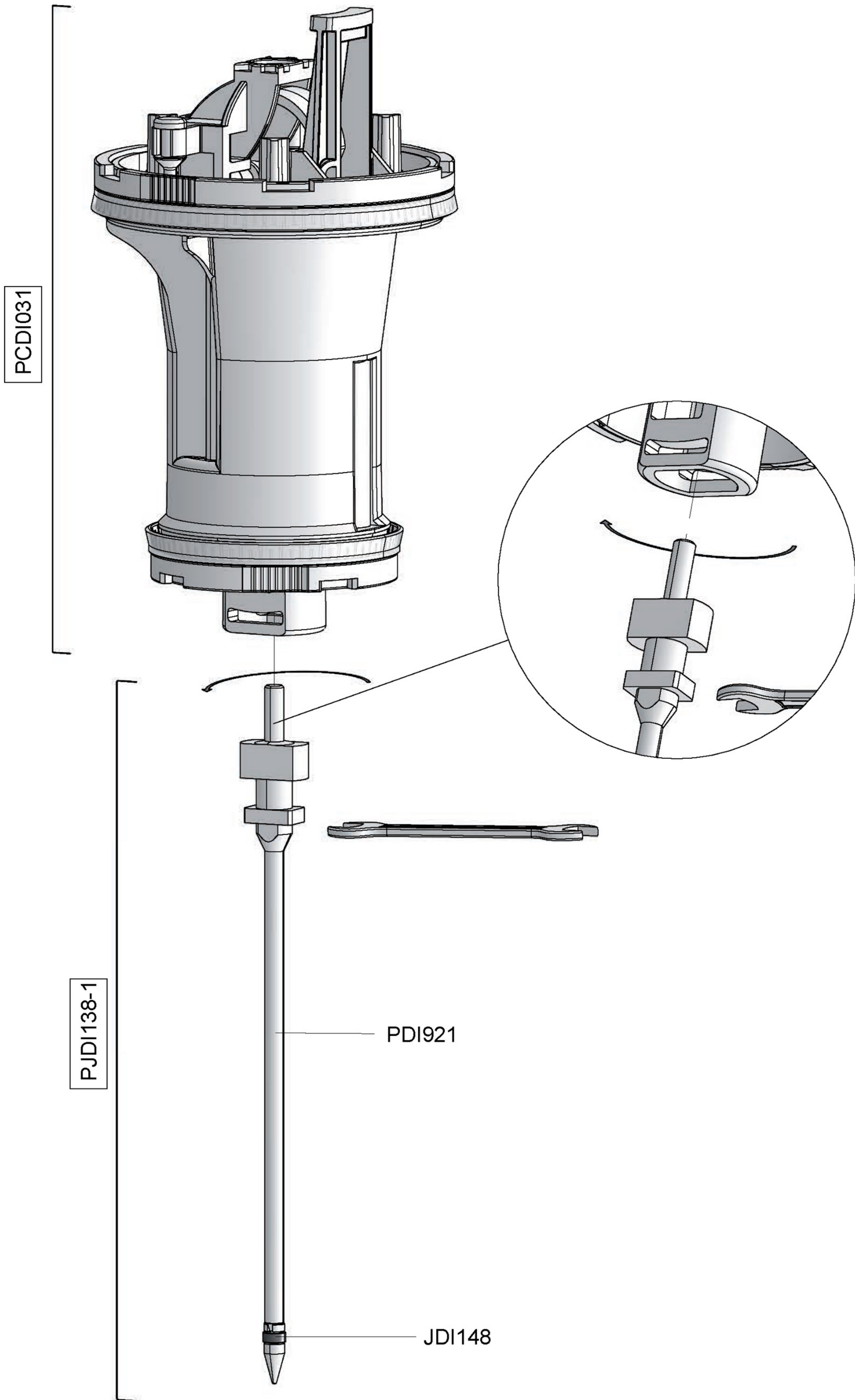
# D14TMZ3000

14 GPM - 1:3000 - 1:333  
3m<sup>3</sup>/h - 0.03 - 0.3%  
4.3 - 85 psi  
0.3 - 6 bar



# D14TMZ3000

14 GPM - 1:3000 - 1:333  
3m<sup>3</sup>/h - 0.03 - 0.3%  
4.3 - 85 psi  
0.3 - 6 bar



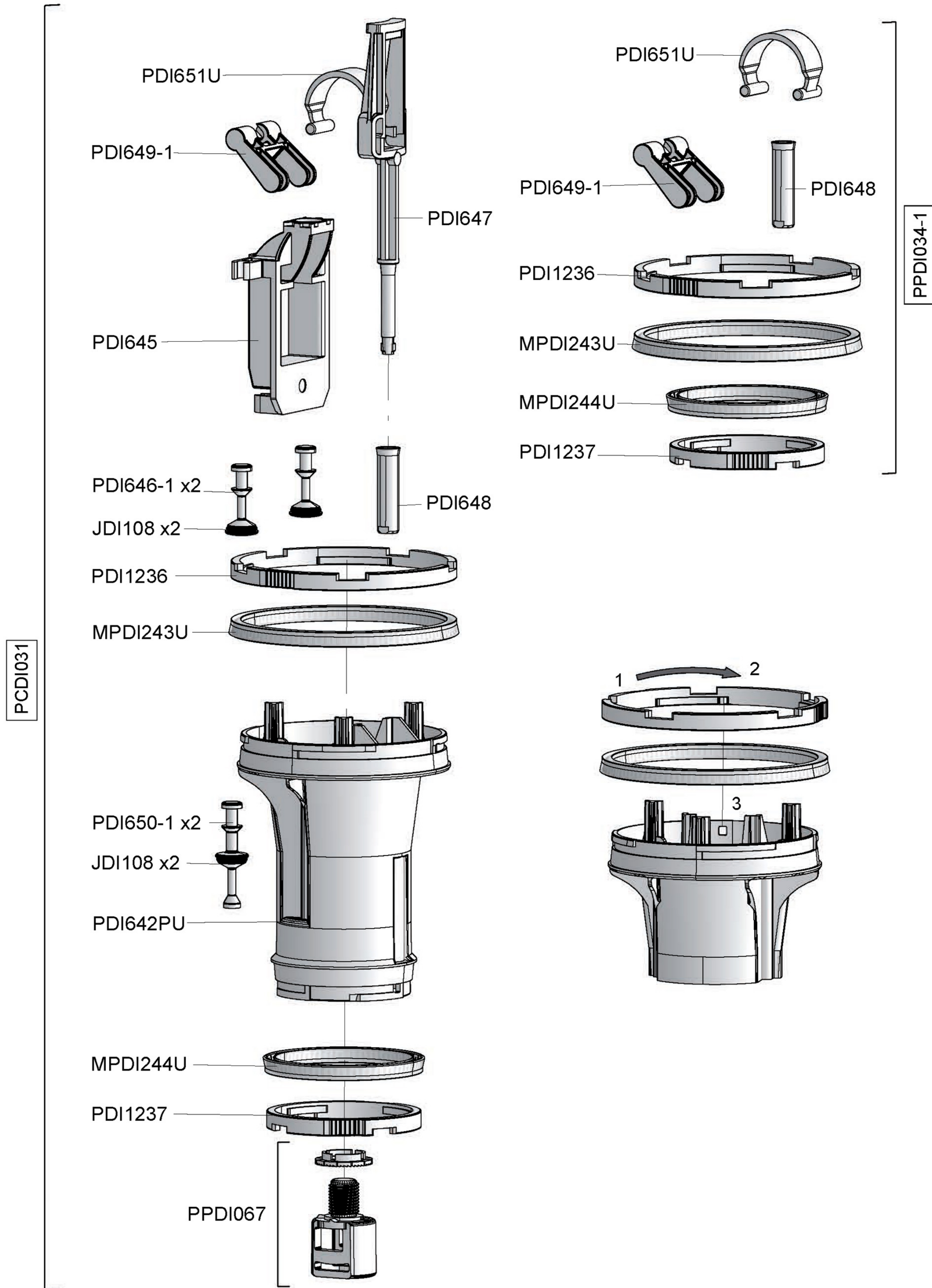
# D14TMZ3000

14 GPM - 1:3000 - 1:333

3m<sup>3</sup>/h - 0.03 - 0.3%

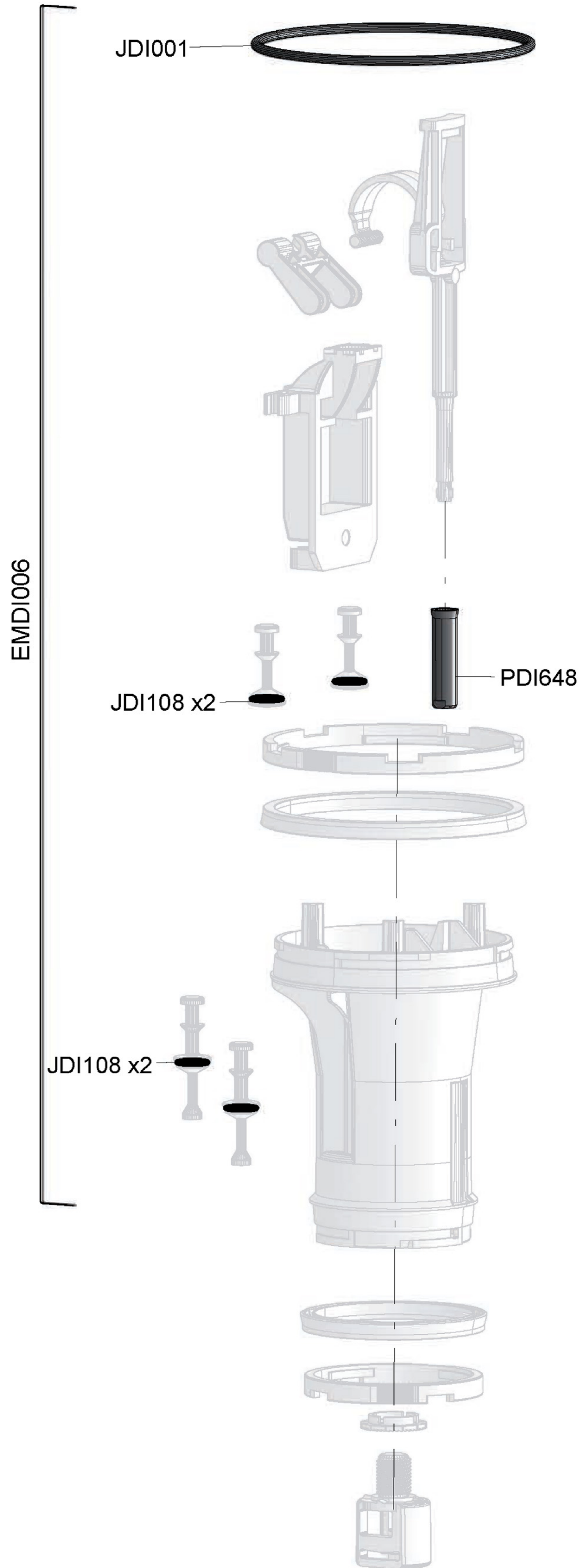
4.3 - 85 psi

0.3 - 6 bar



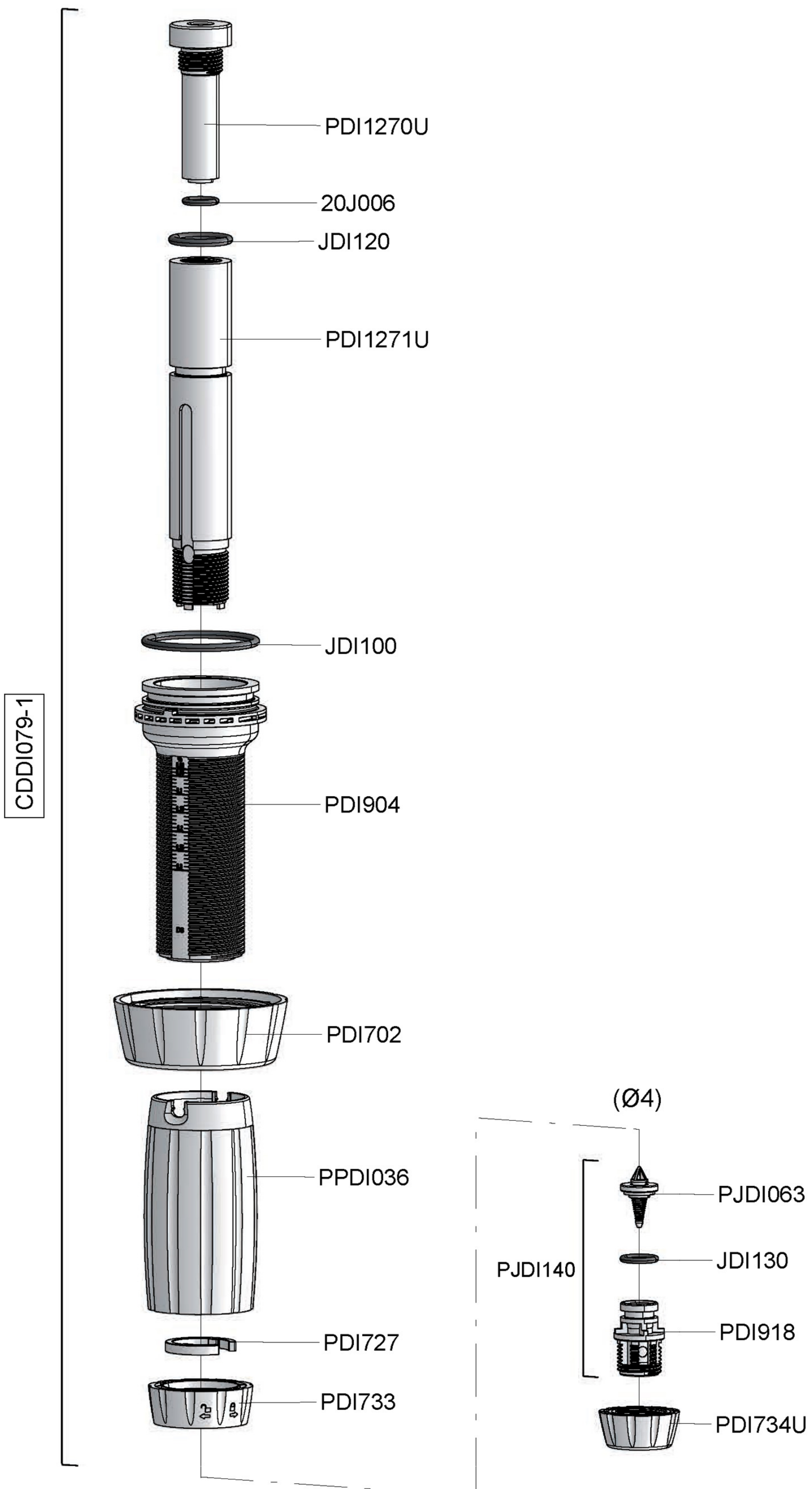
# D14TMZ3000

14 GPM - 1:3000 - 1:333  
3m<sup>3</sup>/h - 0.03 - 0.3%  
4.3 - 85 psi  
0.3 - 6 bar



# D14TMZ3000

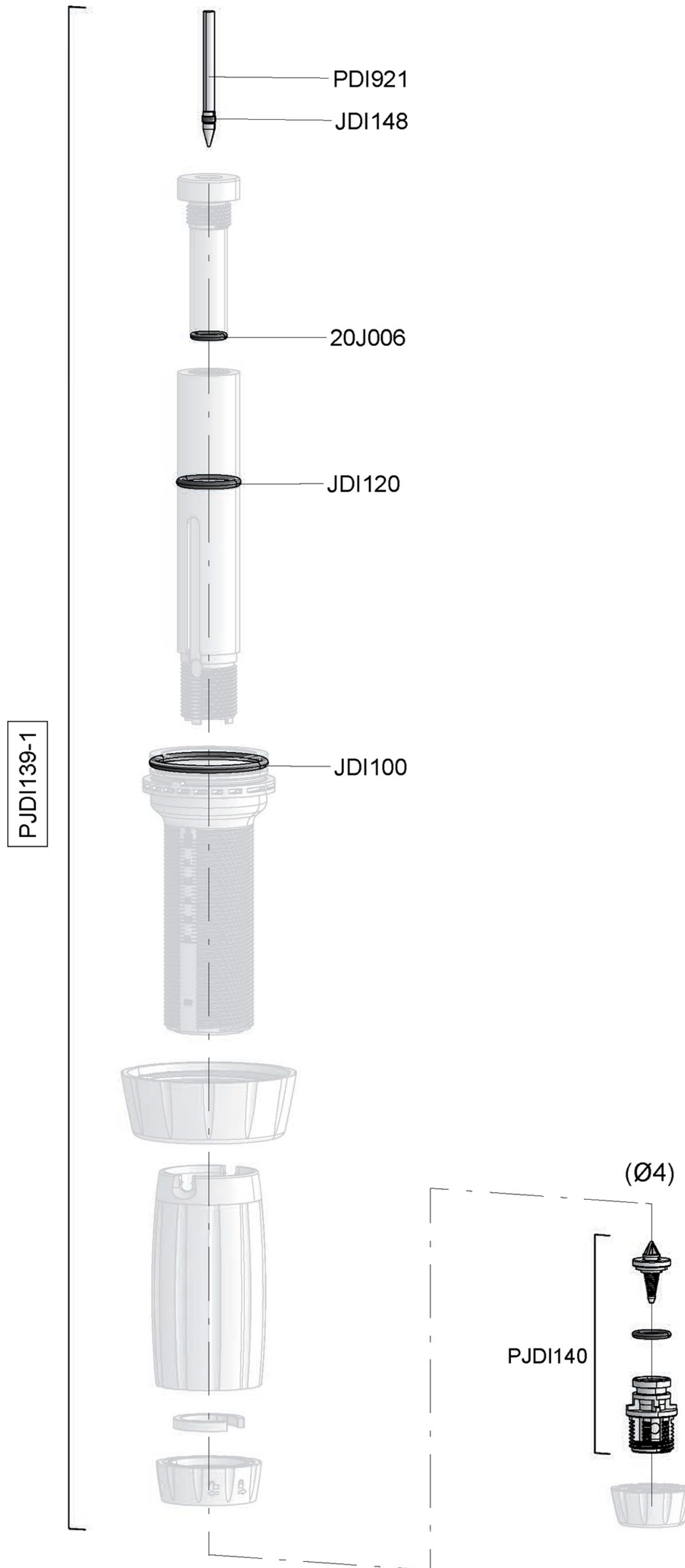
14 GPM - 1:3000 - 1:333  
3m<sup>3</sup>/h - 0.03 - 0.3%  
4.3 - 85 psi  
0.3 - 6 bar





# D14TMZ3000

14 GPM - 1:3000 - 1:333  
3m<sup>3</sup>/h - 0.03 - 0.3%  
4.3 - 85 psi  
0.3 - 6 bar



# D14TMZ3000

14 GPM - 1:3000 - 1:333  
3m<sup>3</sup>/h - 0.03 - 0.3%  
4.3 - 85 psi  
0.3 - 6 bar

