



DOSATRON®

WATER POWERED DOSING TECHNOLOGY



D45RE8 - 20 GPM SERIAL # 07141221 AND UP INTERACTIVE SCHEMATICS

UNIT SPECIFICATIONS

- 1:33 - 1:12
- 7 - 70 PSI
- 1" NPT Connection

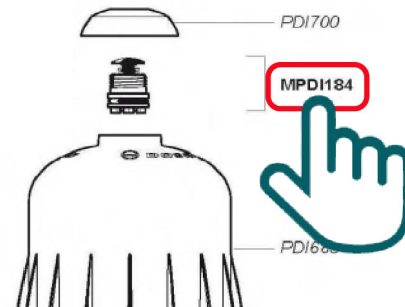
SUGGESTED INSTALLATION

- 200 mesh/80 micron water filter prior to the unit
- One-way check valve down-stream from the unit for water hammer protection

SUGGESTED MAINTENANCE

- Injection Seal Kit
Part #: **PJ151**
For yearly maintenance

DOCUMENT INSTRUCTIONS



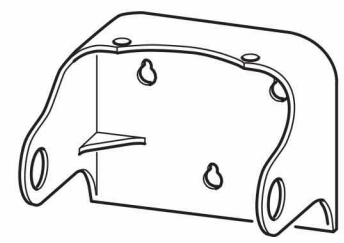
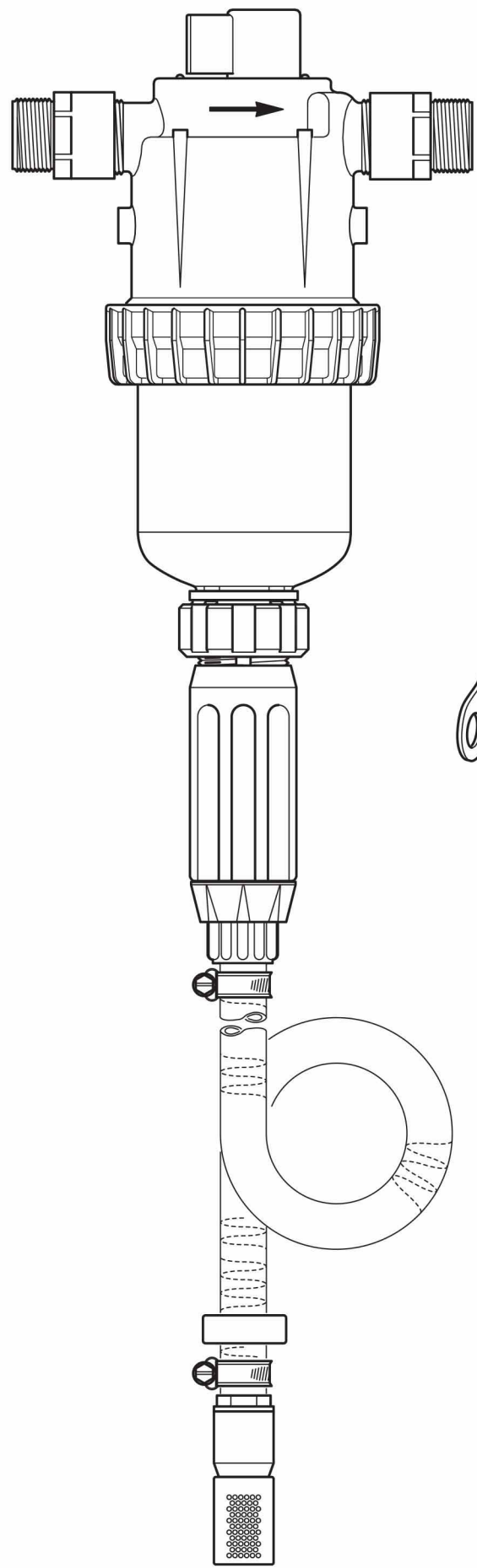
- Click on a part #, to visit item page
- Click arrow back from item page, to return to this document



D45RE8

For serial numbers
greater than 07141221

20 GPM - 1:33 - 1:13
7 - 70 psi

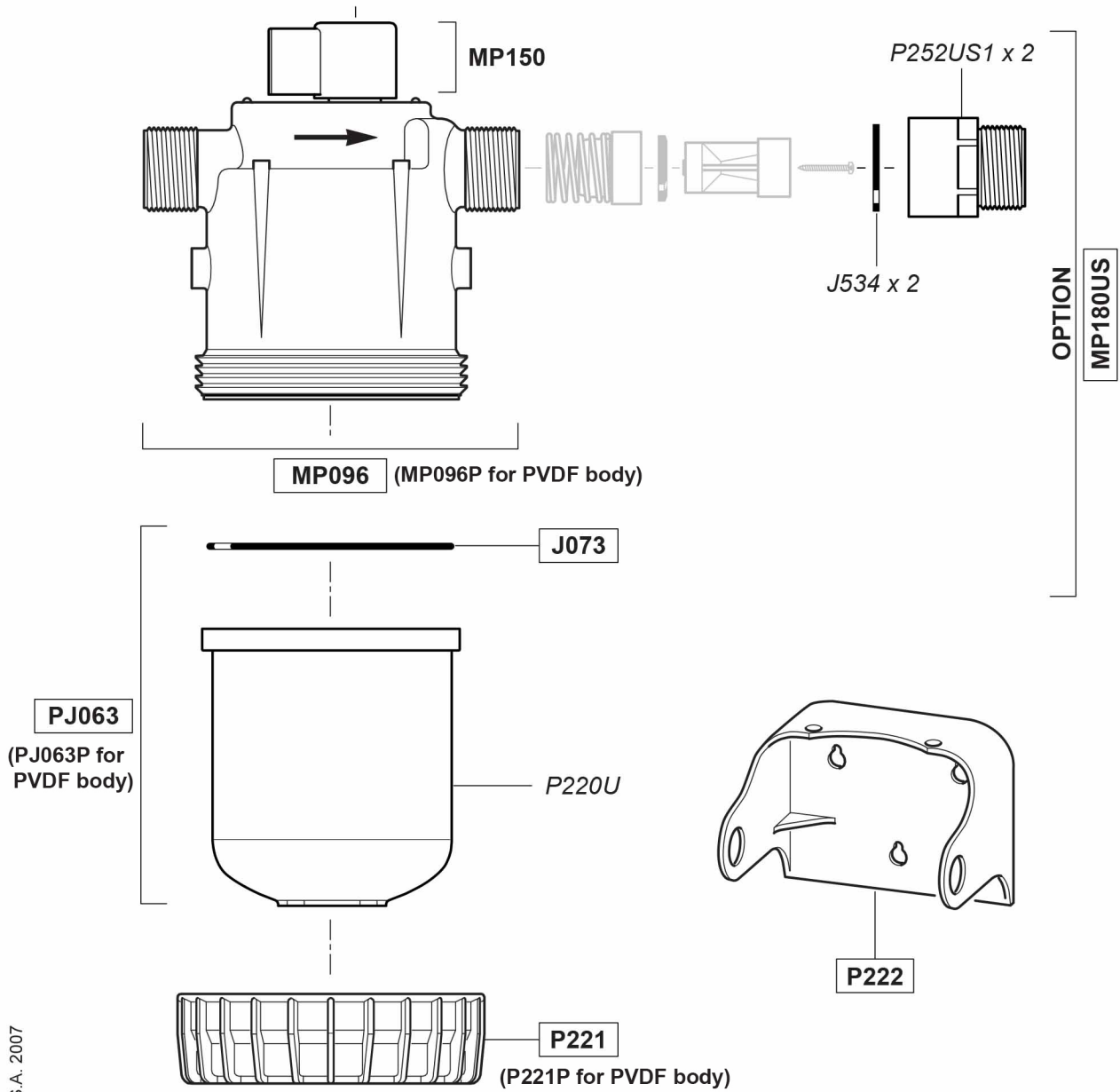


Seal Kit Part #: PJ151AF

D45RE8

For serial numbers
greater than 07141221

4.5 m³/h - 3 - 8%
20 GPM - 1:33 - 1:13
0.5 - 5 bar
7 - 70 psi



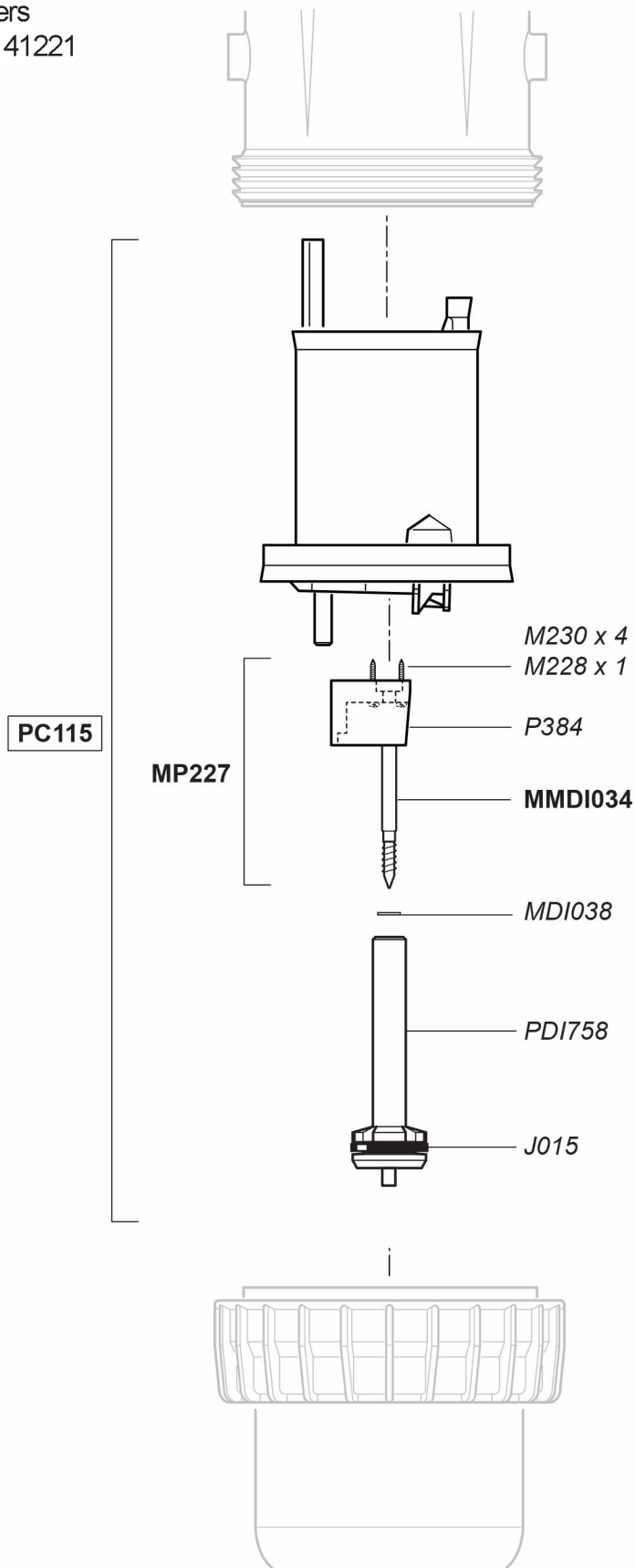
© DOSATRON INTERNATIONAL S.A. 2007
D45RE8/0607/D3



D45RE8

For serial numbers
greater than 07141221

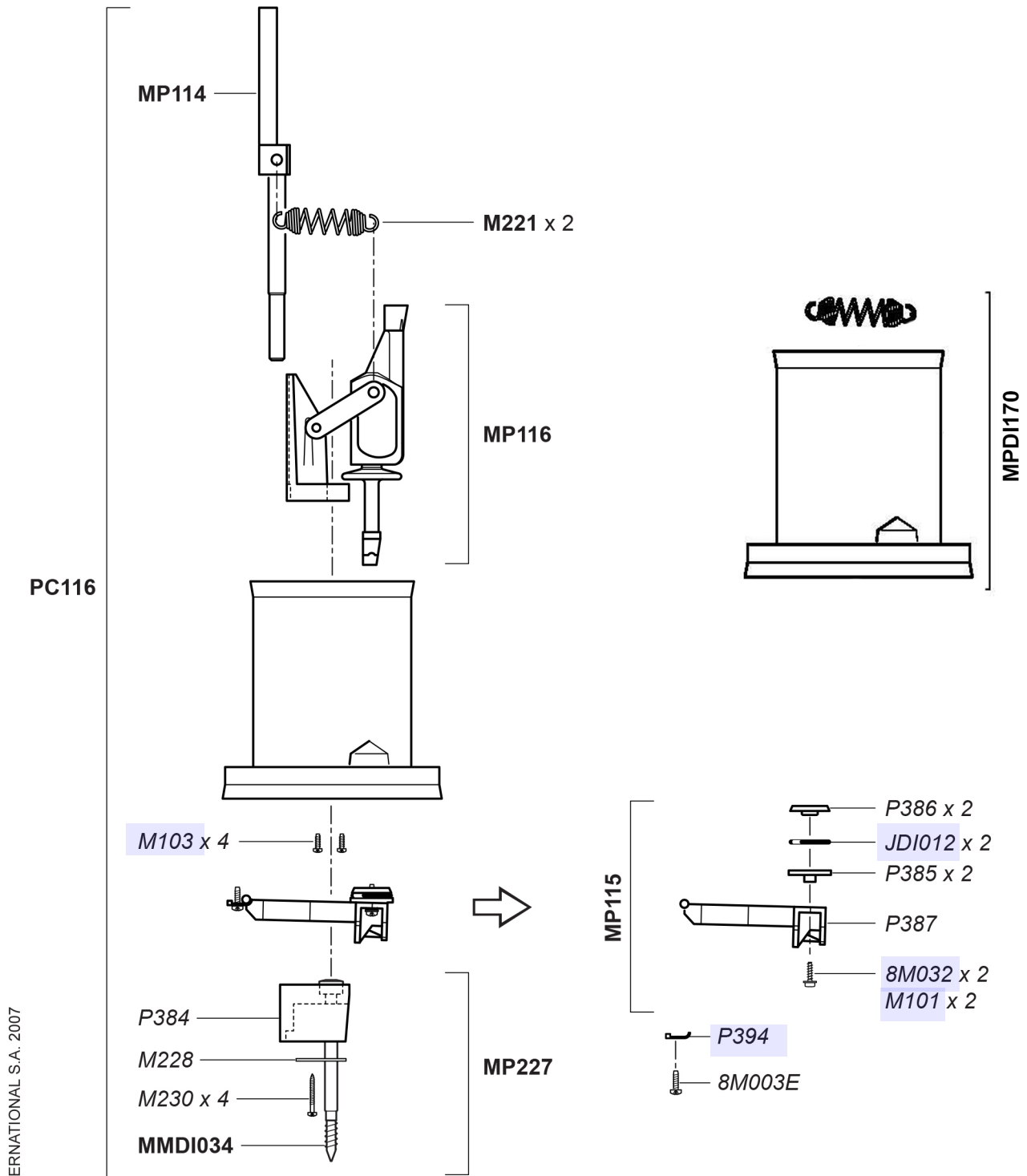
4.5 m³/h - 3 - 8%
20 GPM - 1:33 - 1:13
0.5 - 5 bar
7 - 70 psi



D45RE8

For serial numbers
greater than 07141221

4.5 m³/h - 3 - 8%
20 GPM - 1:33 - 1:13
0.5 - 5 bar
7 - 70 psi

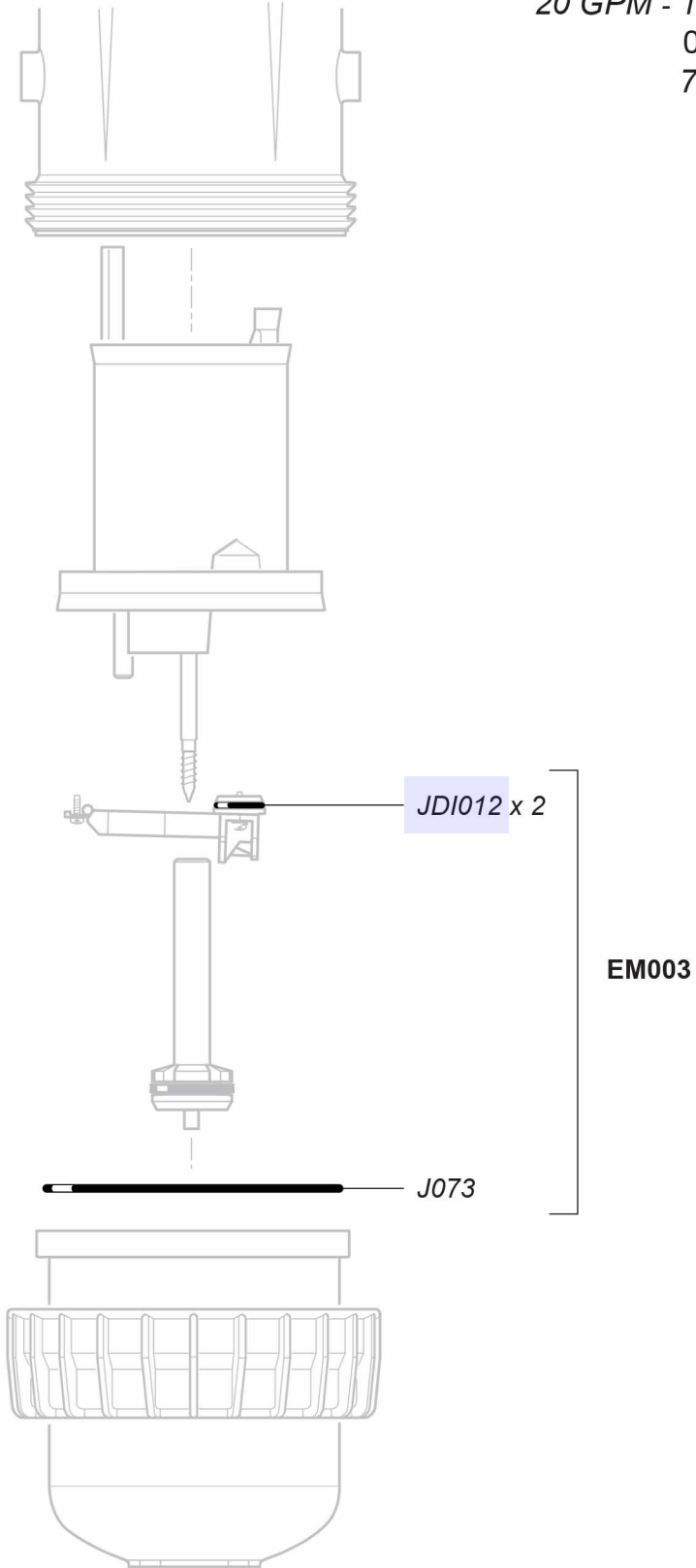


© DOSATRON INTERNATIONAL S.A. 2007
D45RE8/0607/D5



D45RE8
For serial numbers
greater than 07141221

4.5 m³/h - 3 - 8%
20 GPM - 1:33 - 1:13
0.5 - 5 bar
7 - 70 psi

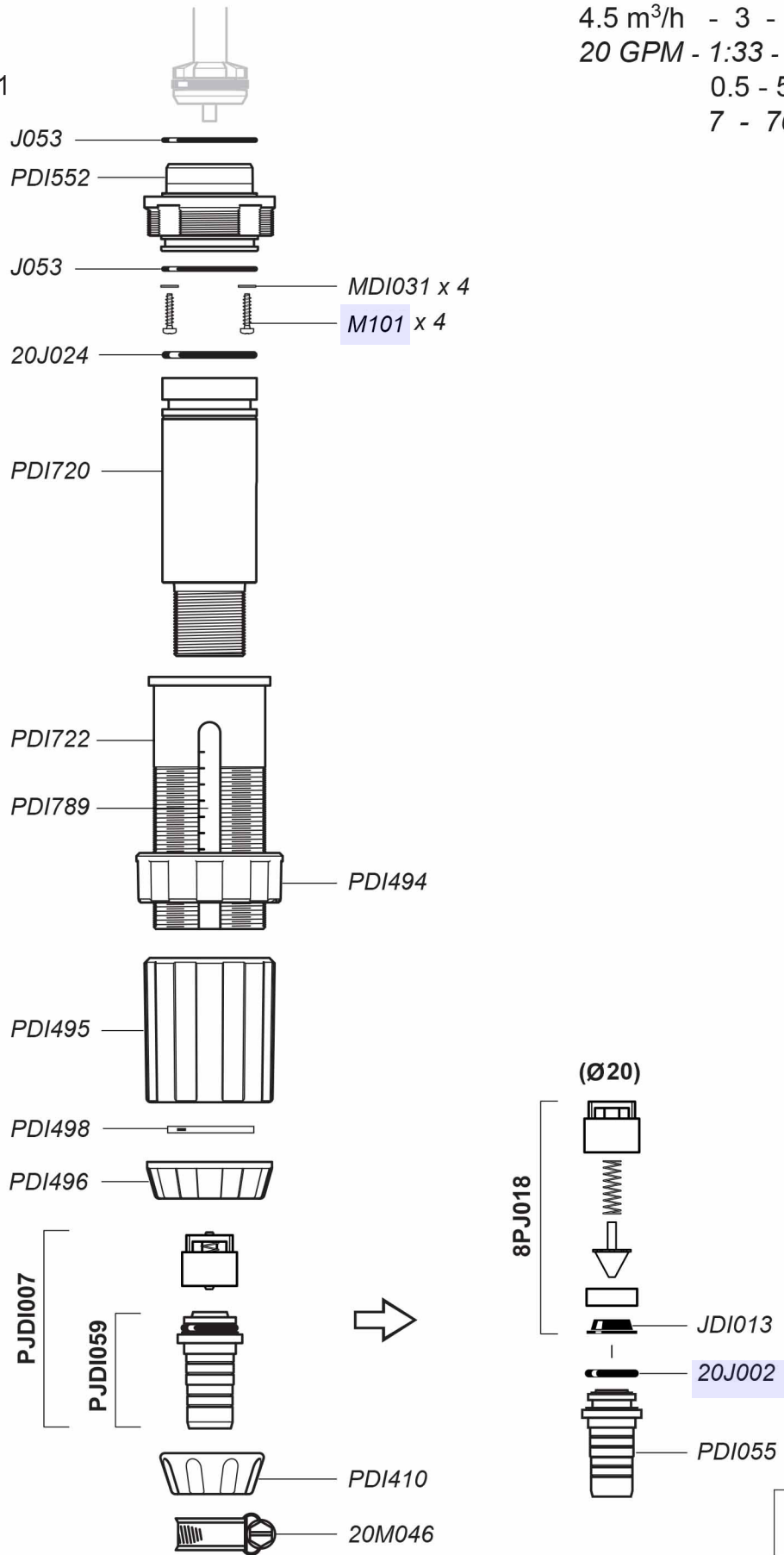


D45RE8

For serial numbers
greater than 07141221

4.5 m³/h - 3 - 8%
20 GPM - 1:33 - 1:13
0.5 - 5 bar
7 - 70 psi

CD107



© DOSATRON INTERNATIONAL S.A. 2007
D45RE8/0607/D7

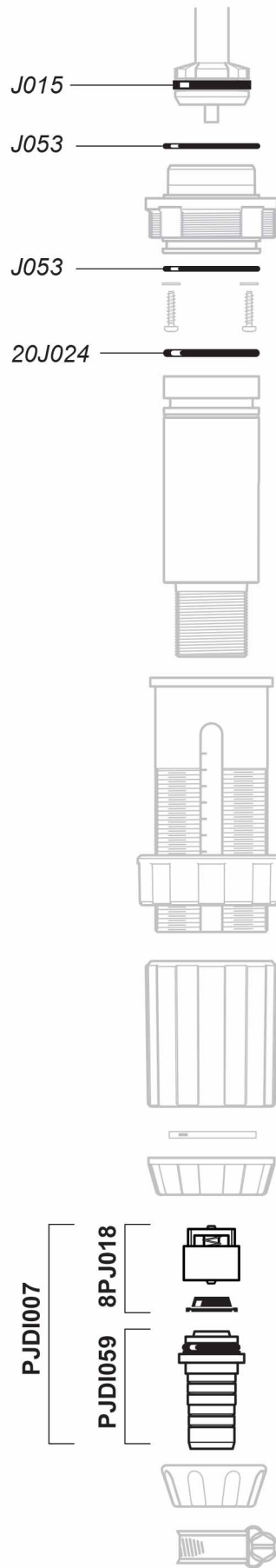
D

D45RE8

For serial numbers
greater than 07141221

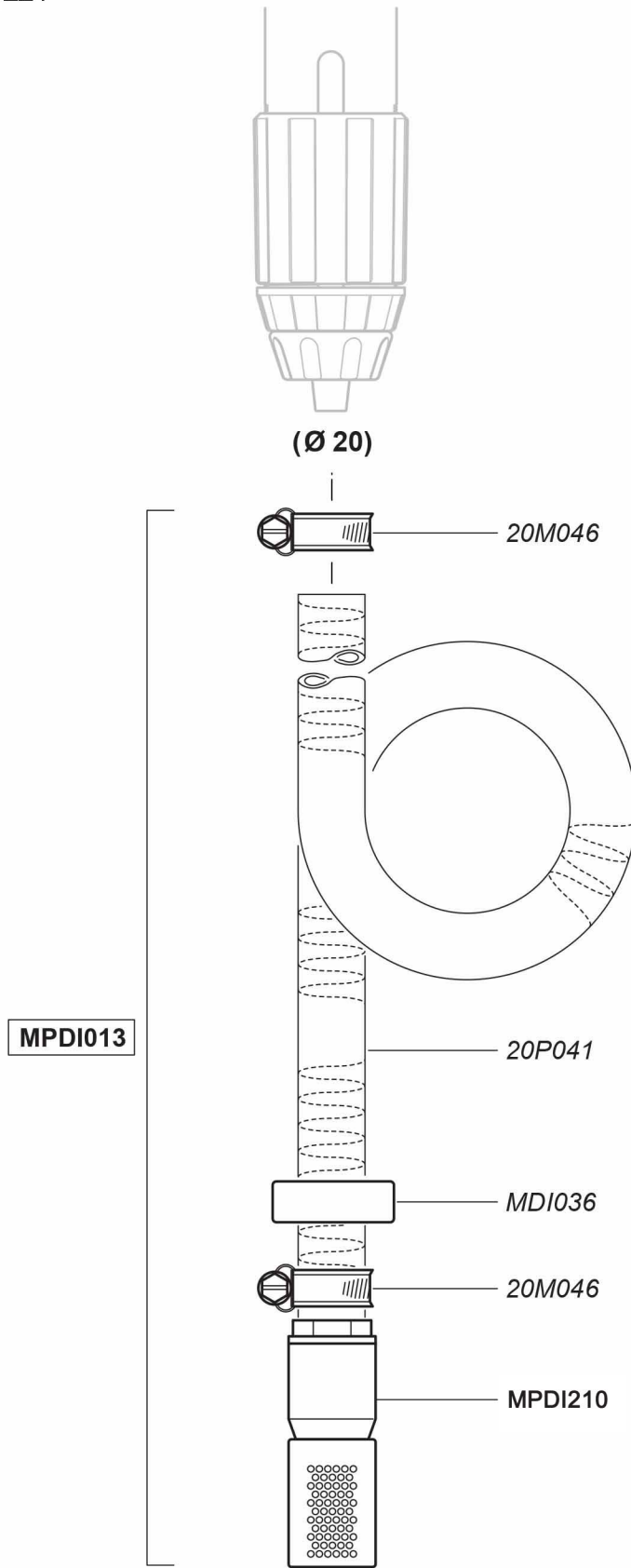
4.5 m³/h - 3 - 8%
20 GPM - 1:33 - 1:13
0.5 - 5 bar
7 - 70 psi

PJ151



D45RE8
For serial numbers
greater than 07141221

4.5 m³/h - 3 - 8%
20 GPM - 1:33 - 1:13
0.5 - 5 bar
7 - 70 psi



© DOSATRON INTERNATIONAL S.A. 2007
D45RE8/0607/D9

A