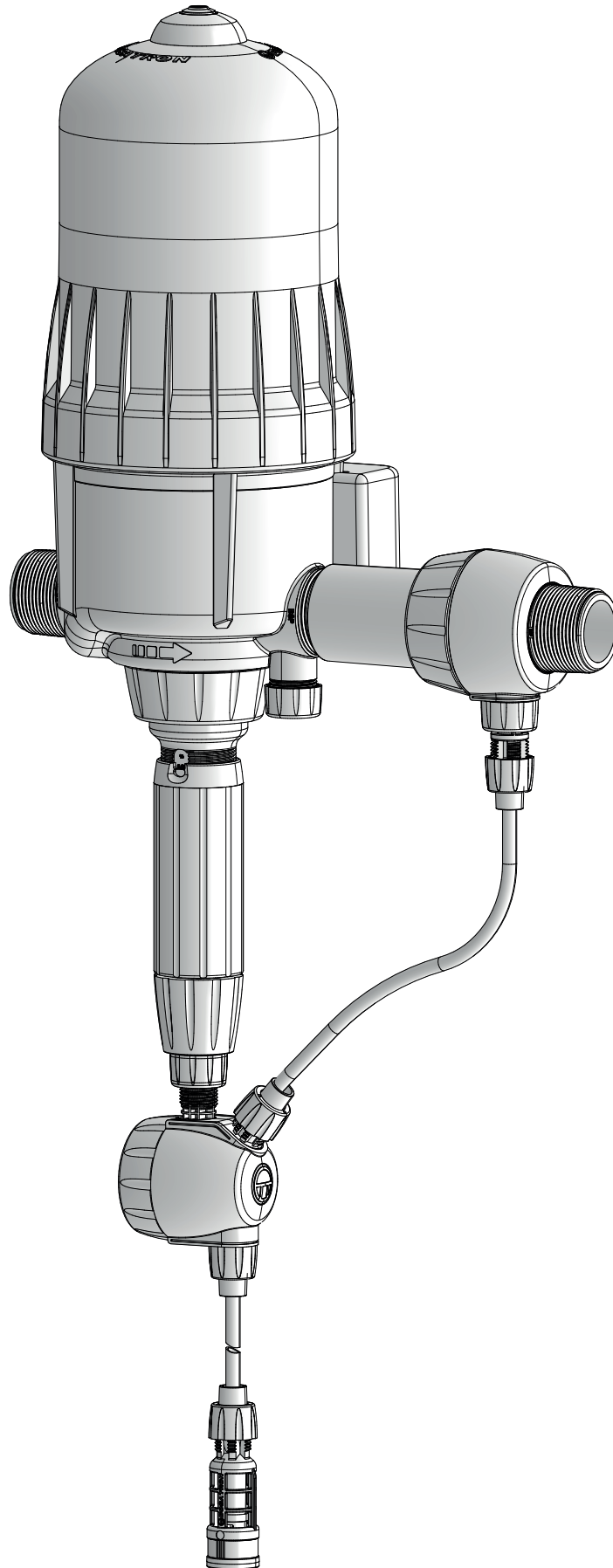


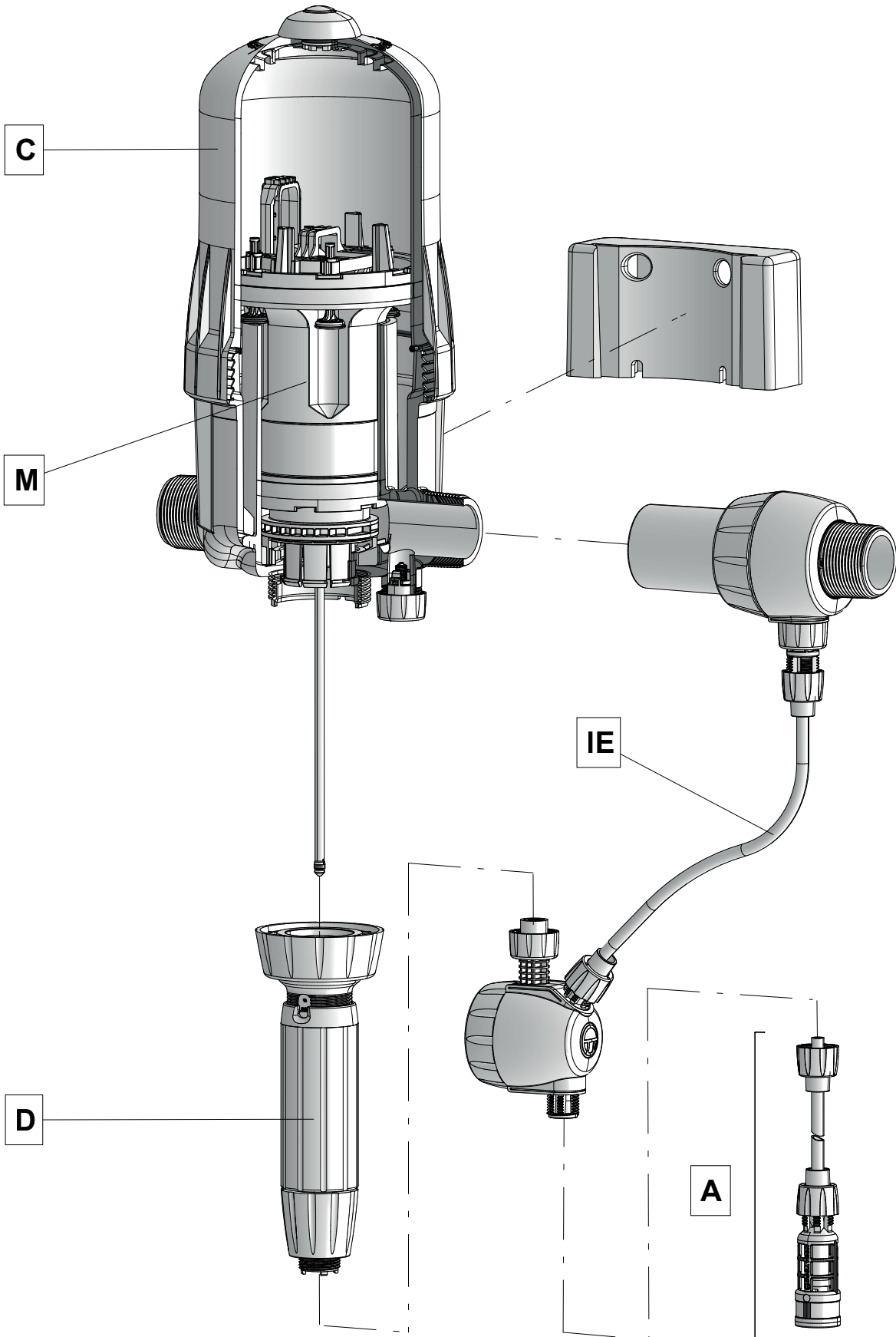
# D9 0.03 - 0.2% IE

9 m<sup>3</sup>/h - 0.03 - 0.2%  
40 GPM - 1:3000 - 1:500  
0.5 - 8 bar  
7 - 116 psi



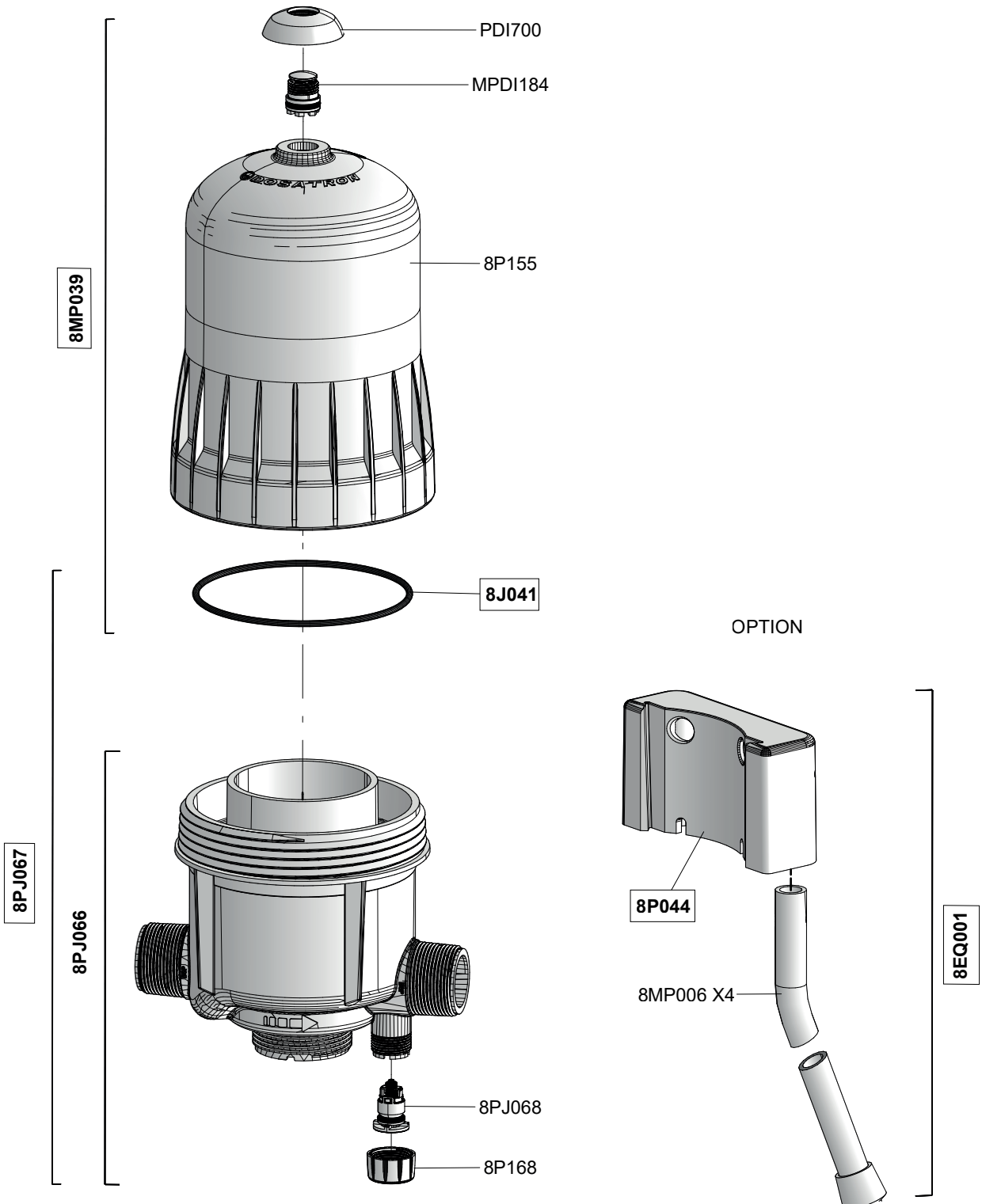
# D9 0.03 - 0.2% IE

9 m<sup>3</sup>/h - 0.03 - 0.2%  
40 GPM - 1:3000 - 1:500  
0.5 - 8 bar  
7 - 116 psi



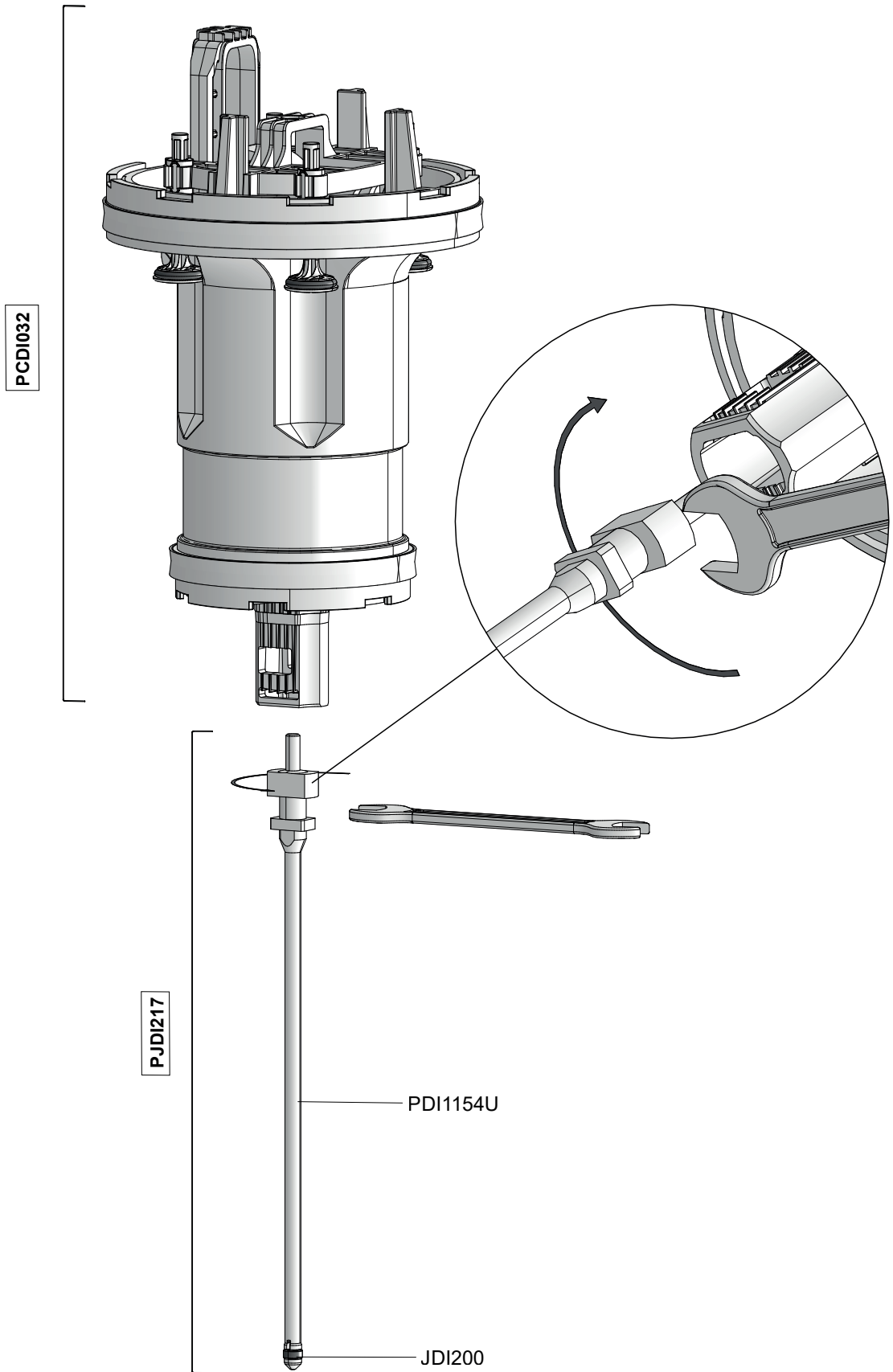
# D9 0.03 - 0.2% IE

9 m<sup>3</sup>/h - 0.03 - 0.2%  
40 GPM - 1:3000 - 1:500  
0.5 - 8 bar  
7 - 116 psi



# D9 0.03 - 0.2% IE

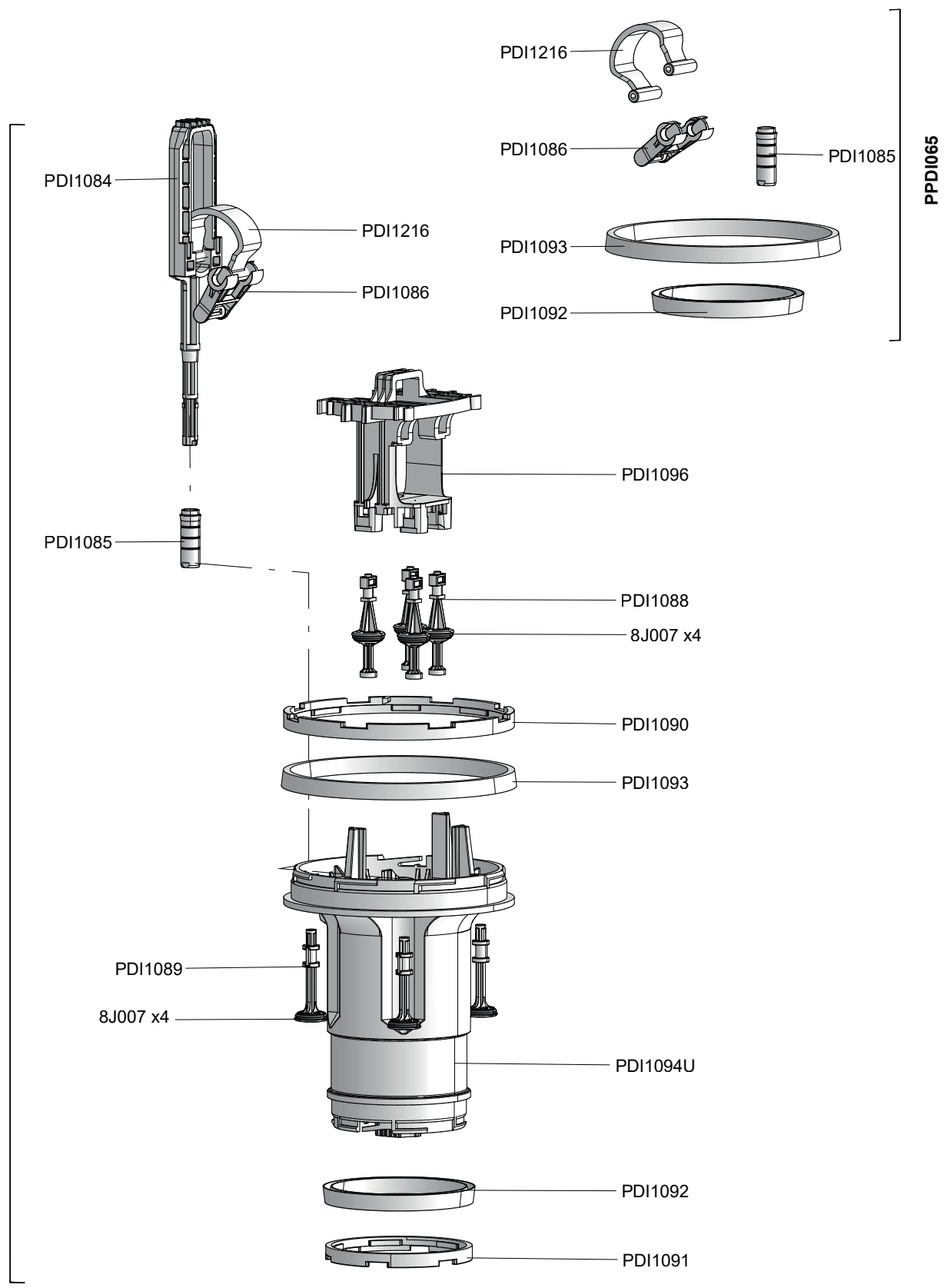
9 m<sup>3</sup>/h - 0.03 - 0.2%  
40 GPM - 1:3000 - 1:500  
0.5 - 8 bar  
7 - 116 psi



# D9 0.03 - 0.2% IE

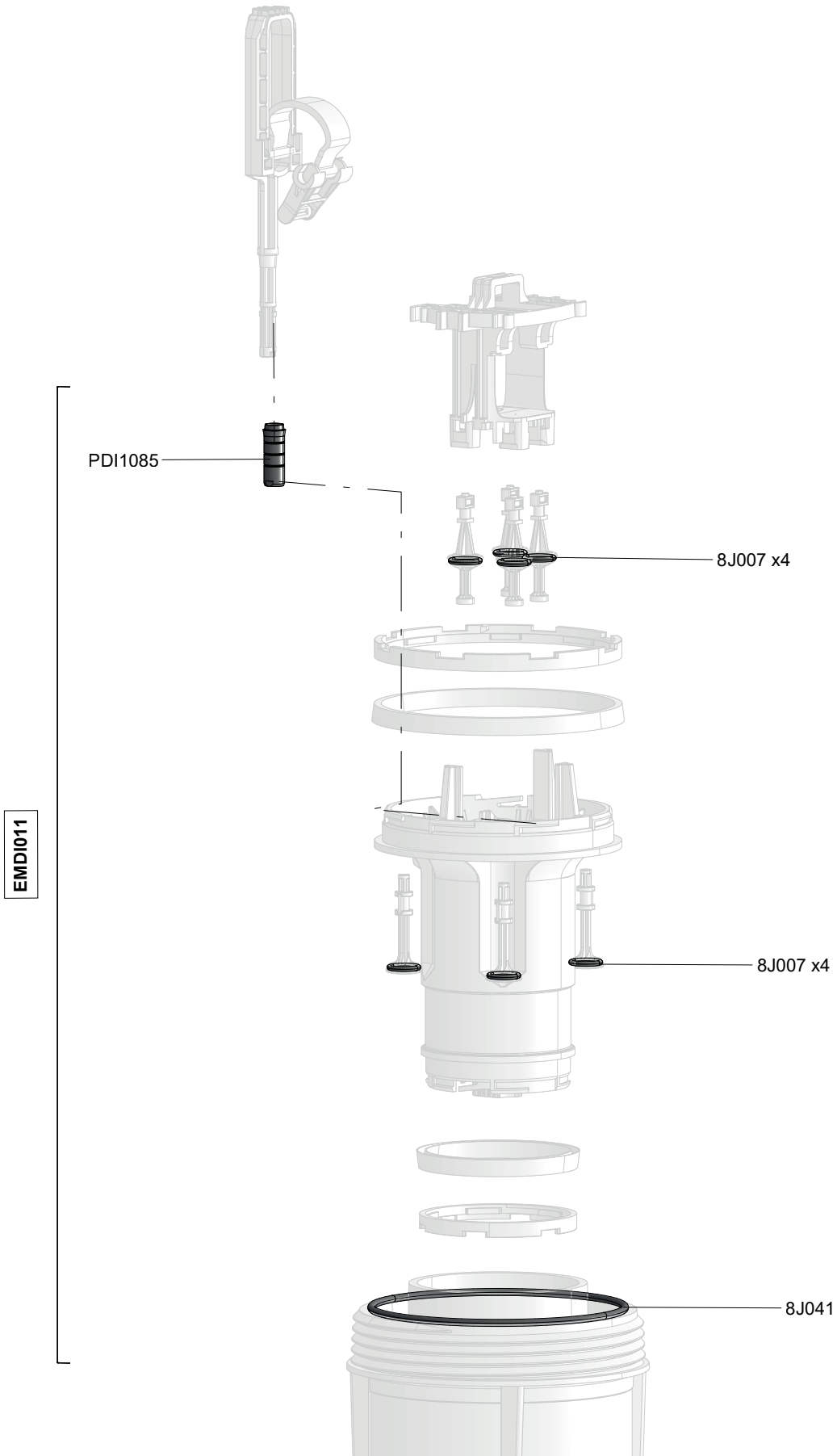
9 m³/h - 0.03 - 0.2%  
 40 GPM - 1:3000 - 1:500  
 0.5 - 8 bar  
 7 - 116 psi

PCDI032



# D9 0.03 - 0.2% IE

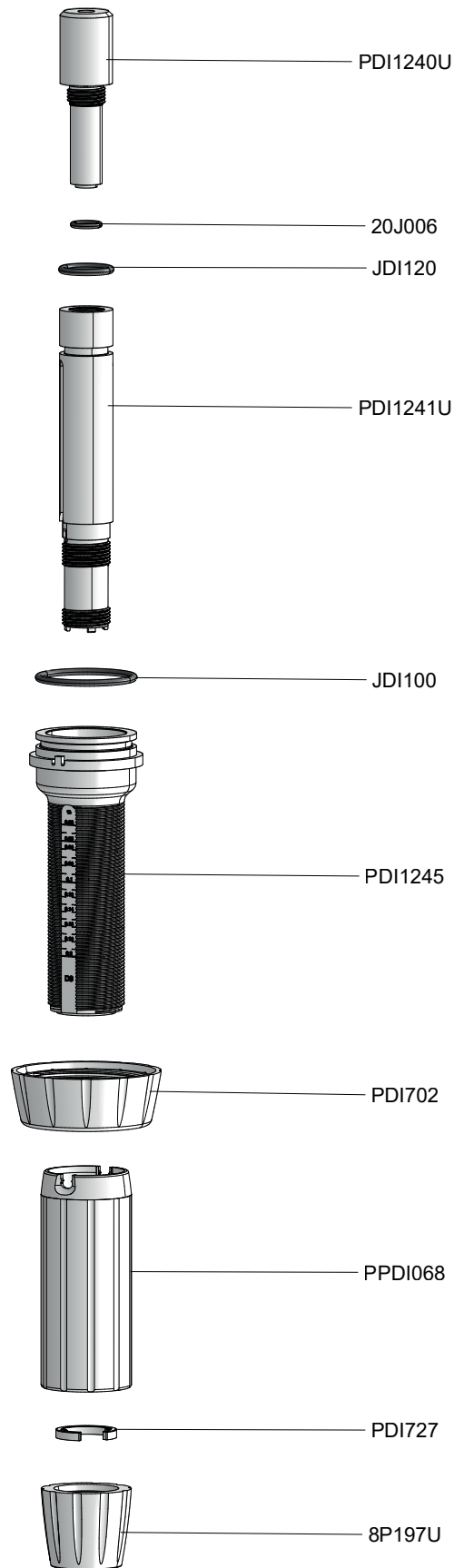
9 m<sup>3</sup>/h - 0.03 - 0.2%  
40 GPM - 1:3000 - 1:500  
0.5 - 8 bar  
7 - 116 psi



# D9 0.03 - 0.2% IE

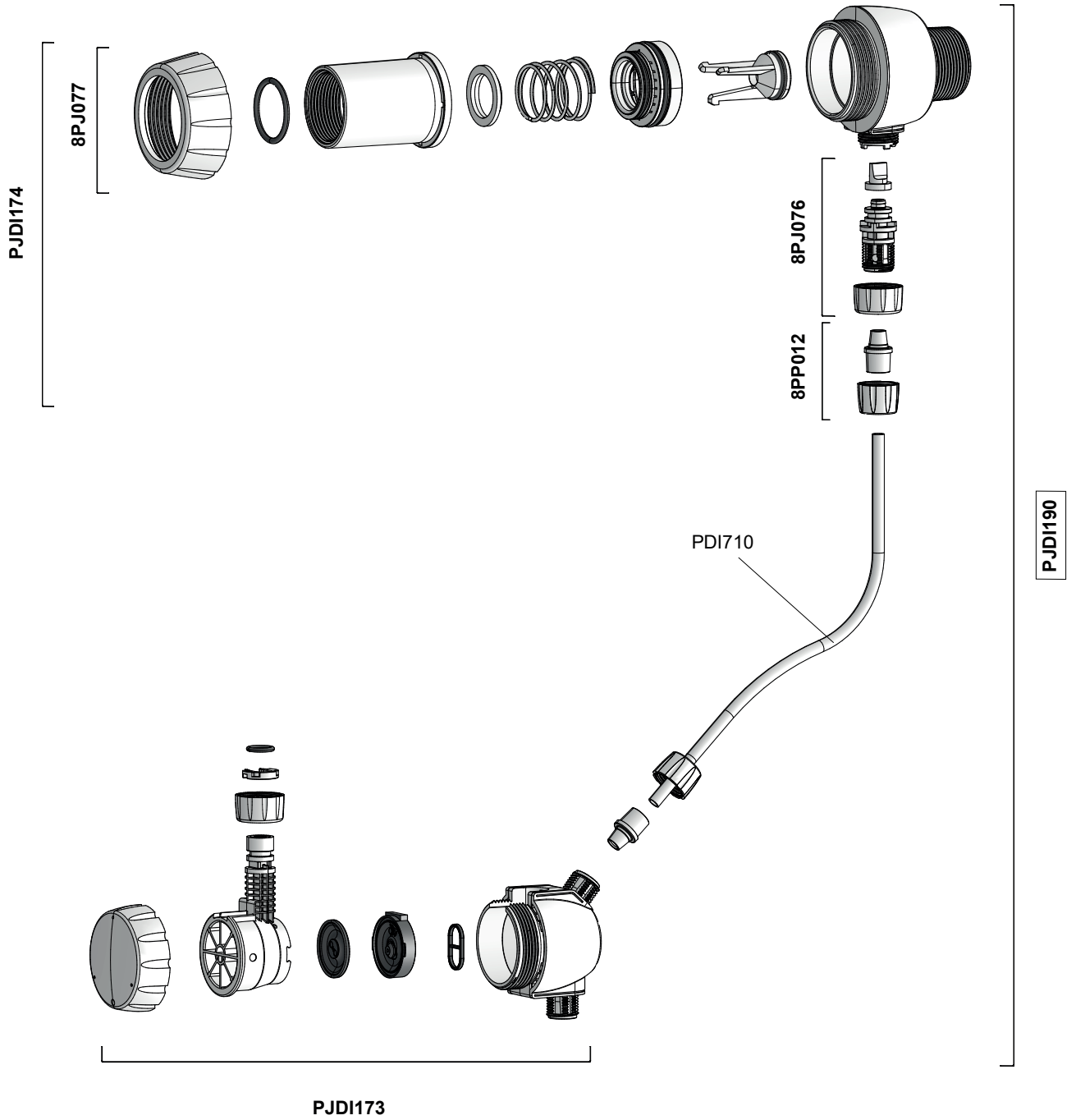
9 m<sup>3</sup>/h - 0.03 - 0.2%  
40 GPM - 1:3000 - 1:500  
0.5 - 8 bar  
7 - 116 psi

**CDDI108**



# D9 0.03 - 0.2% IE

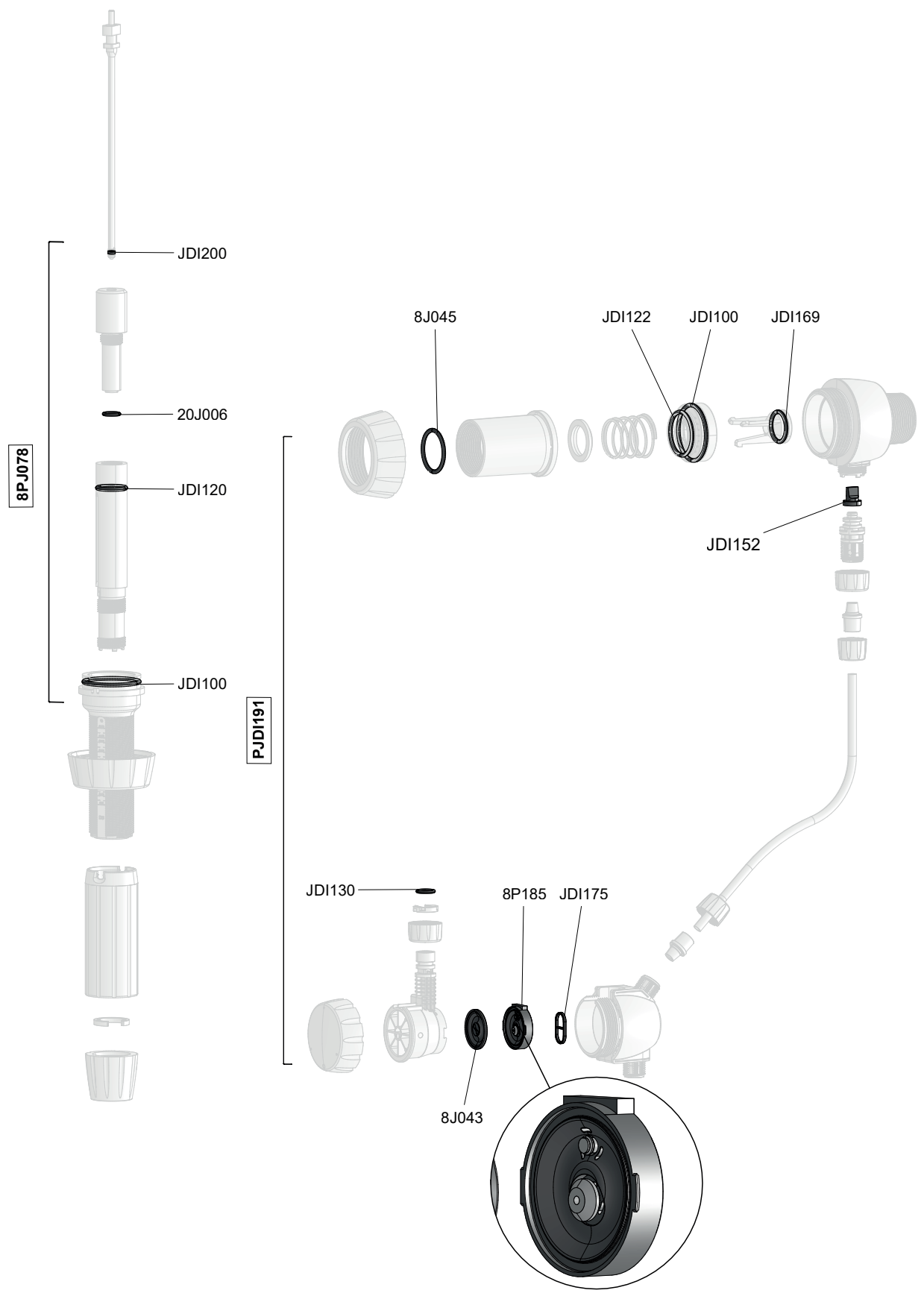
9 m<sup>3</sup>/h - 0.03 - 0.2%  
40 GPM - 1:3000 - 1:500  
0.5 - 8 bar  
7 - 116 psi





# D9 0.03 - 0.2% IE

9 m<sup>3</sup>/h - 0.03 - 0.2%  
40 GPM - 1:3000 - 1:500  
0.5 - 8 bar  
7 - 116 psi



# D9 0.03 - 0.2% IE

9 m<sup>3</sup>/h - 0.03 - 0.2%  
40 GPM - 1:3000 - 1:500  
0.5 - 8 bar  
7 - 116 psi

