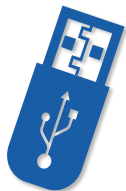




DOSATRON®

Because life is powered by water®



SmartLink+



IMPORTANT NOTES

For complete information on the features and operations, refer to your Manual on www.dosatron.com or download our DOSATRON app

NEED HELP ?

Contact your DOSATRON distributor for service or parts



www.dosatron.com



ET417 - QSUSD25ALN - 11/2020

This document does not form a contractual engagement on the part of Dosatron International and is for information only. Dosatron International reserves the right to alter product specification or appearance without prior notice.



DOSATRON®

Because life is powered by water®



QUICK START UP SD25ALN ANIMAL HEALTH LINE



SmartDosing 

SD25ALN

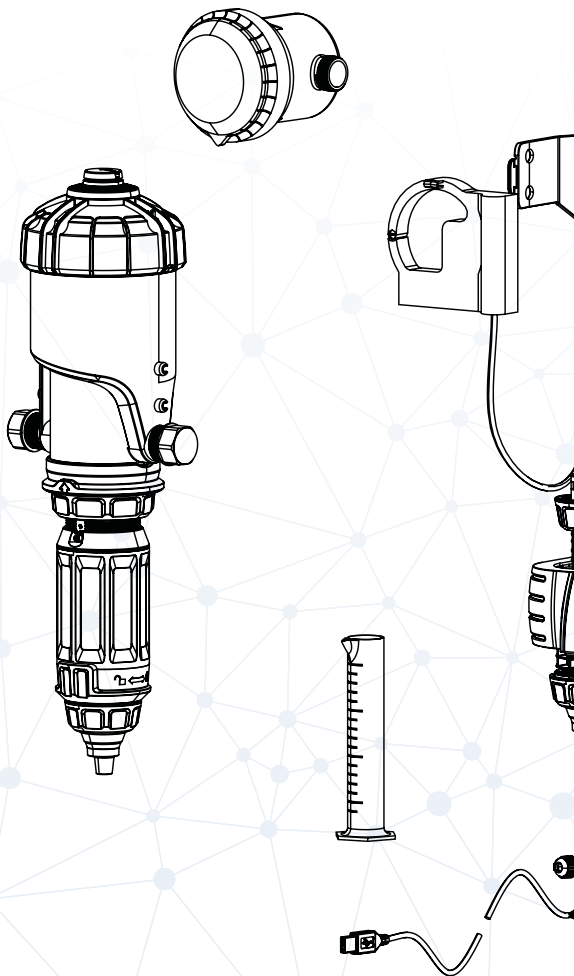
QUICK START UP SD25ALN ANIMAL HEALTH LINE

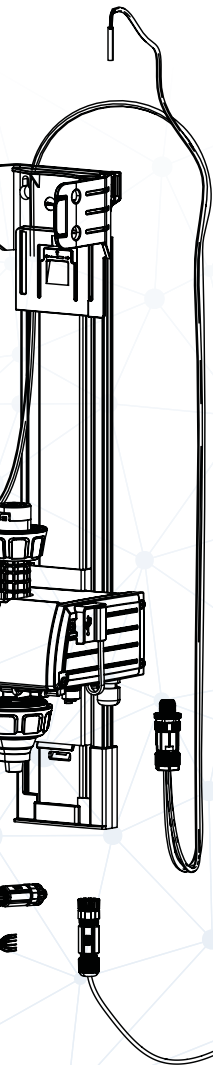
SmartDosing  



REC 

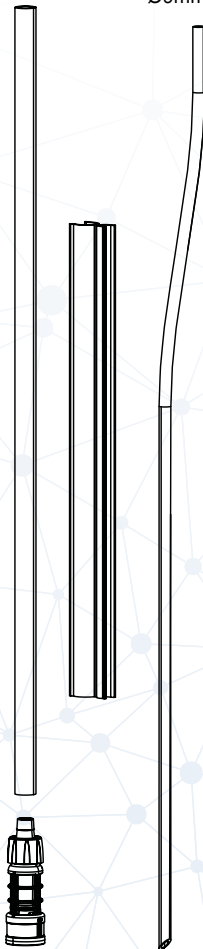






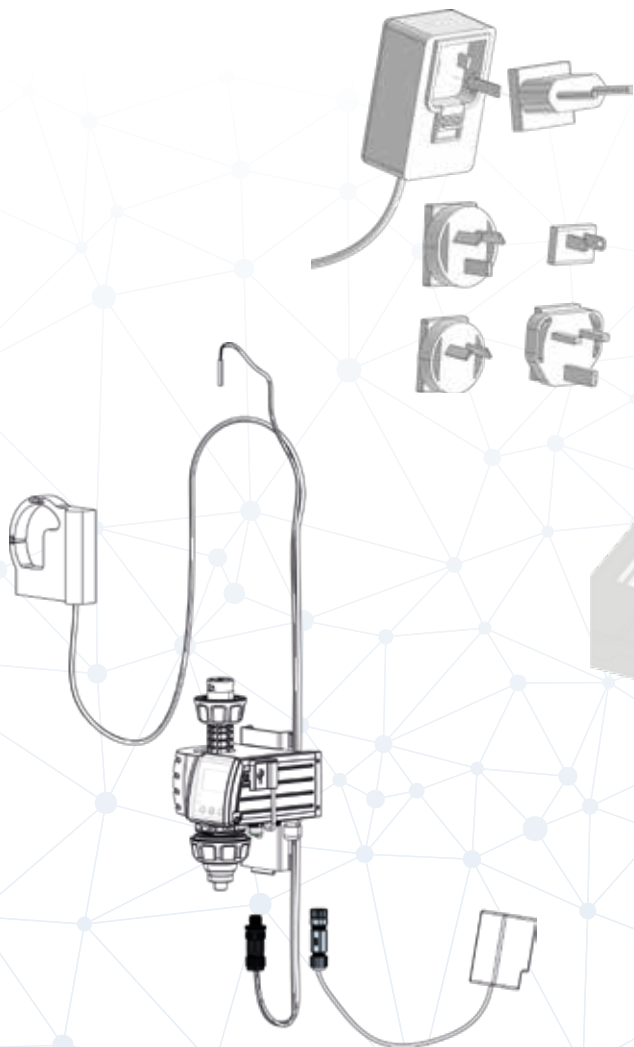
Ø12mm

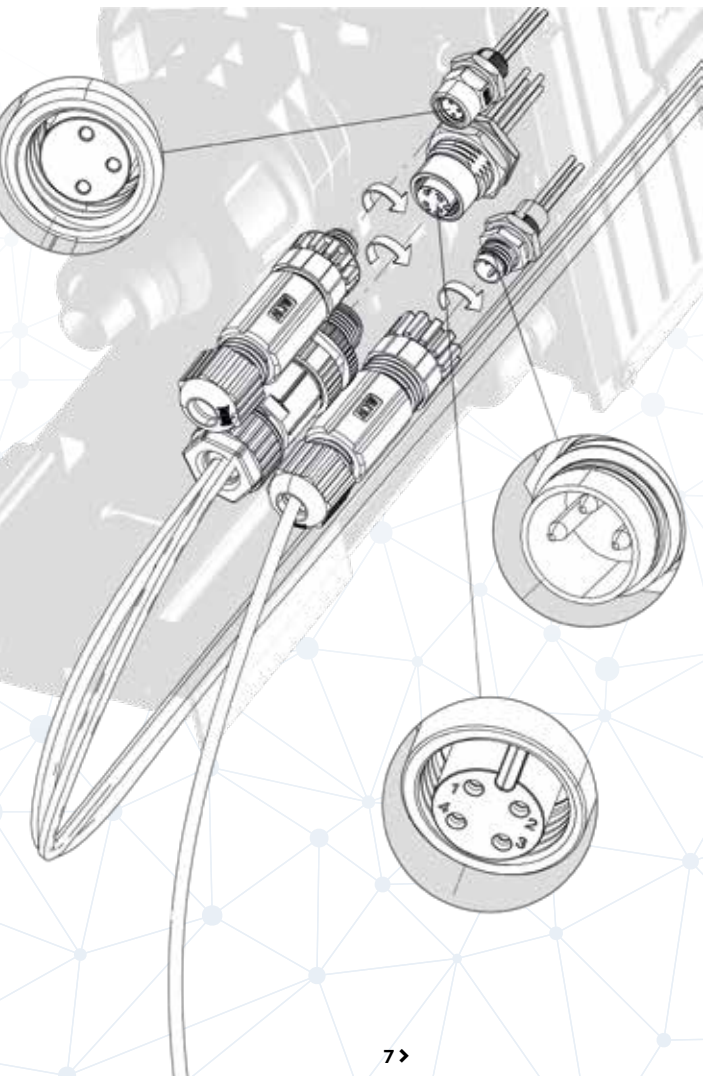
Ø9mm



5 >

- 1
- 2
- 3
- 4
- 5
- 6
- 7
- 8
- 9





1

2

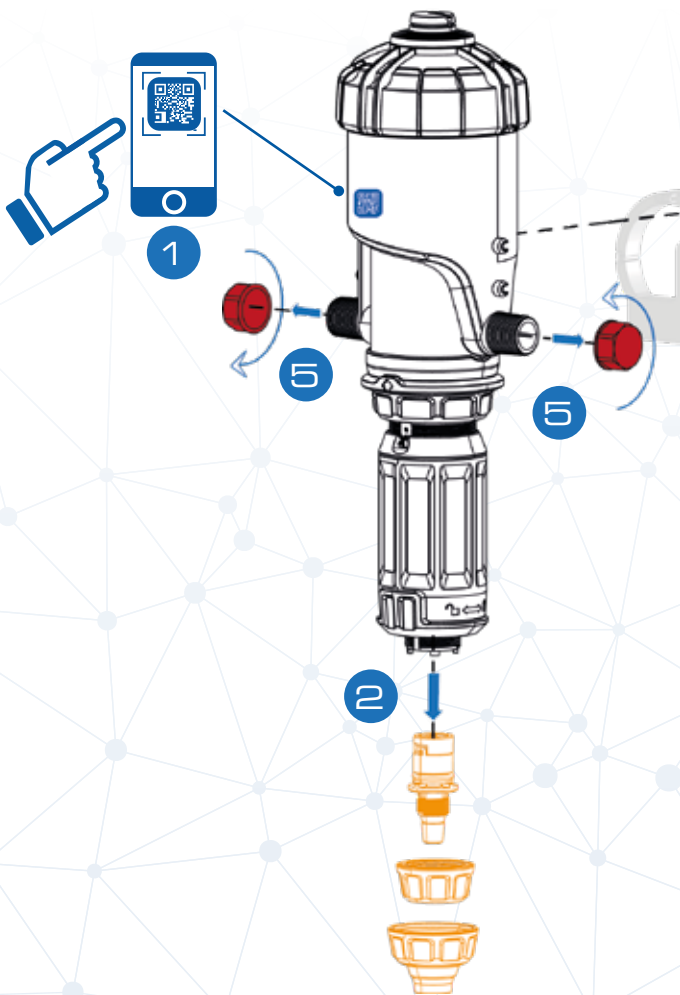
3

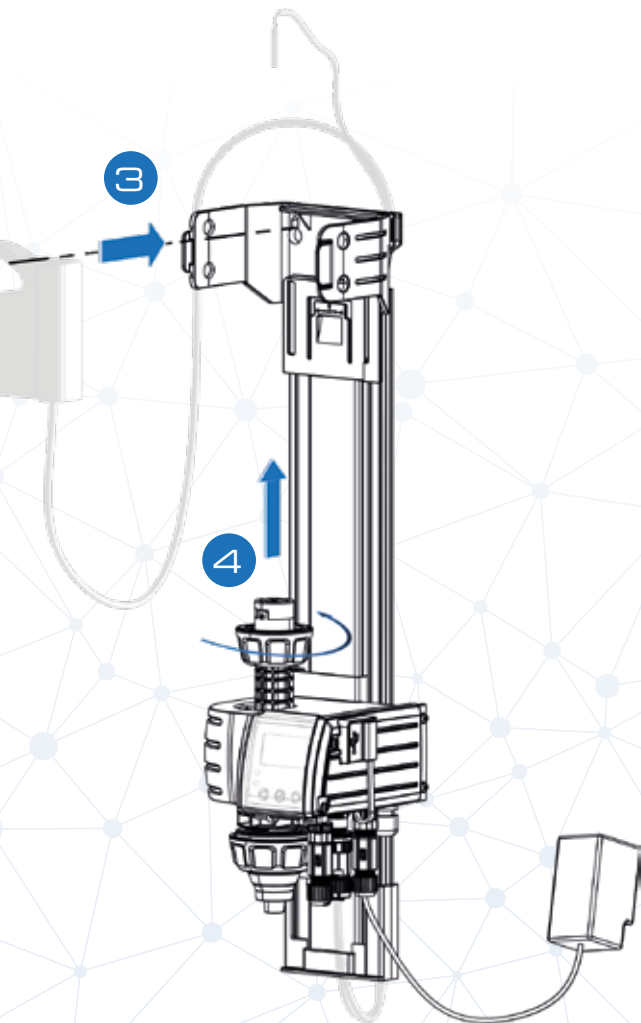
4

5

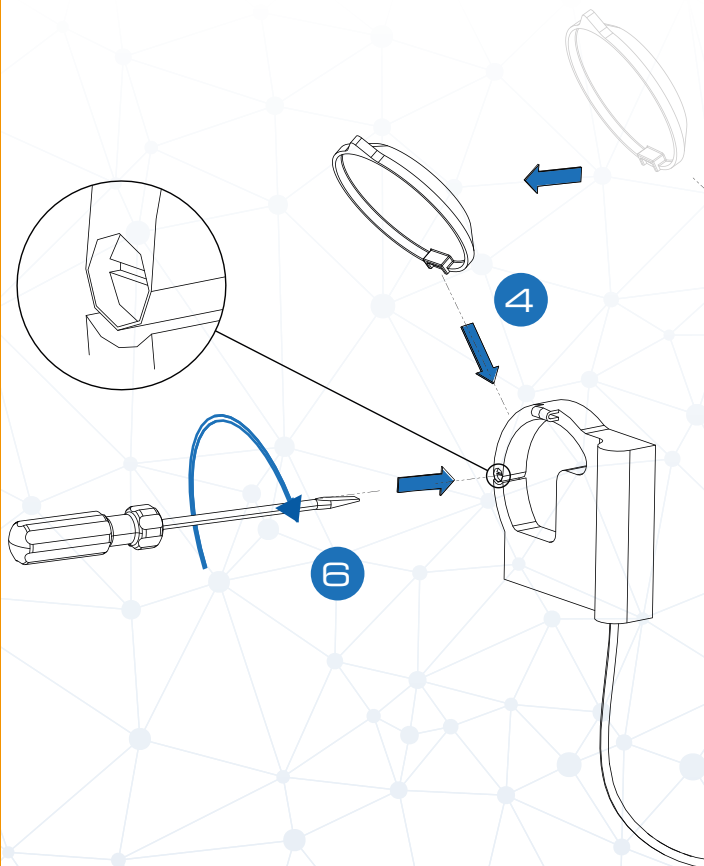
6

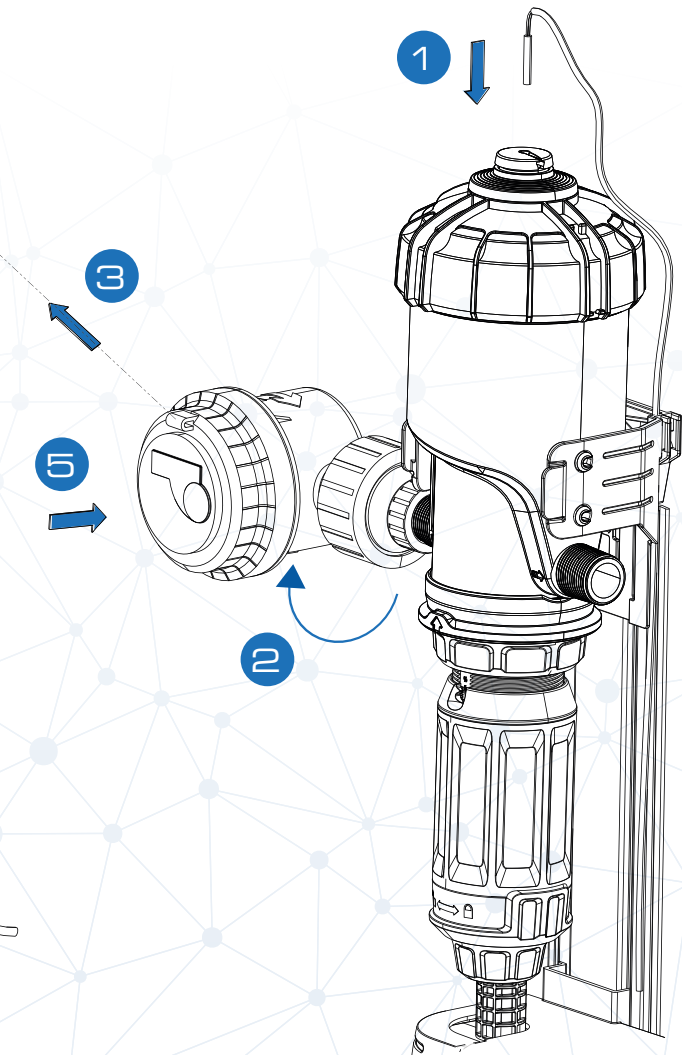
7

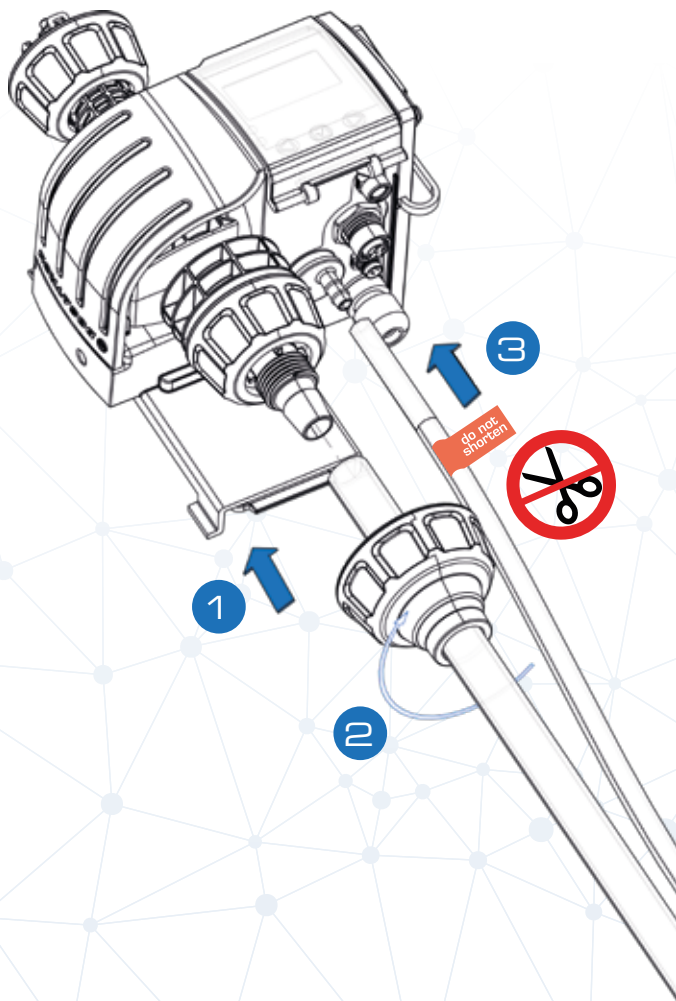


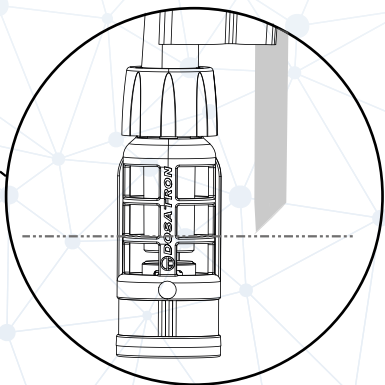


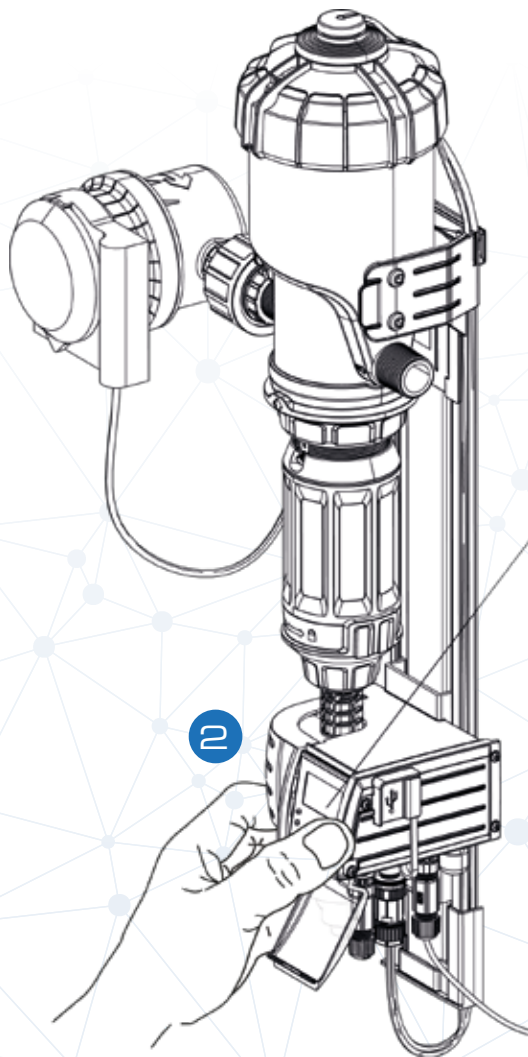
- 1
- 2
- 3
- 4
- 5
- 6
- 7
- 8
- 9

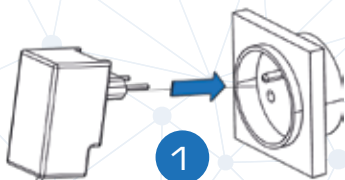
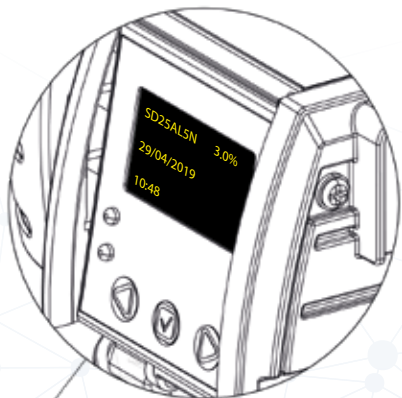






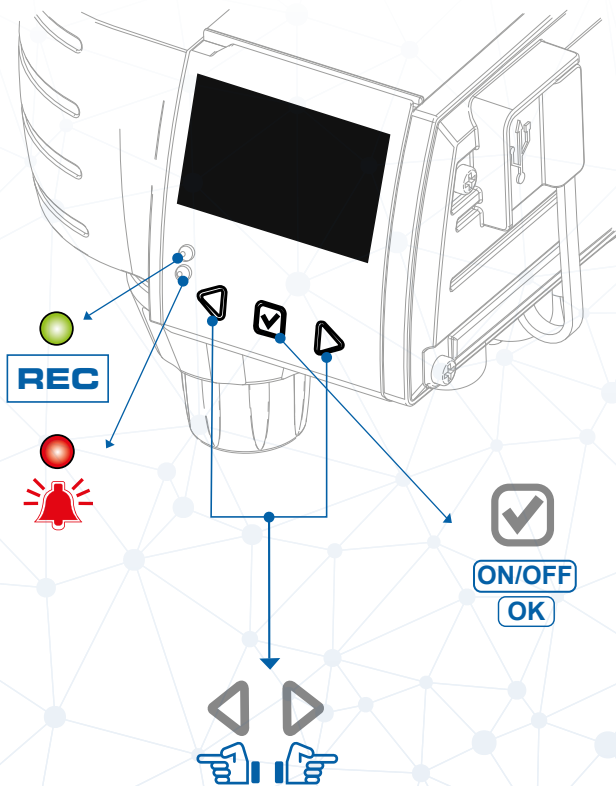


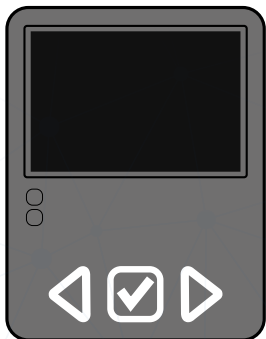




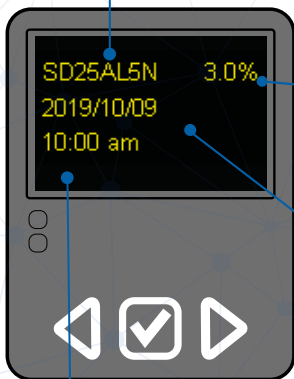


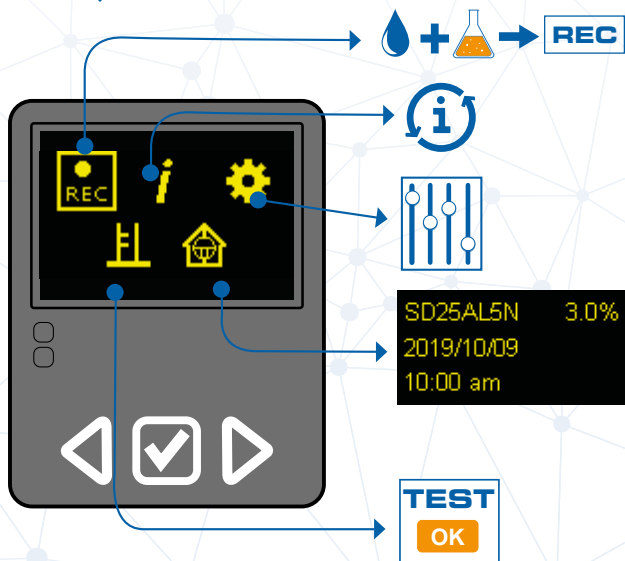
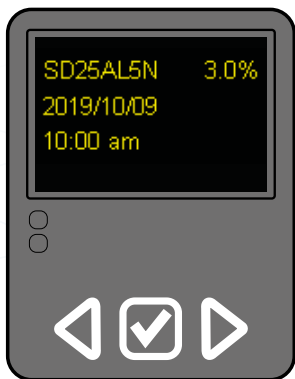


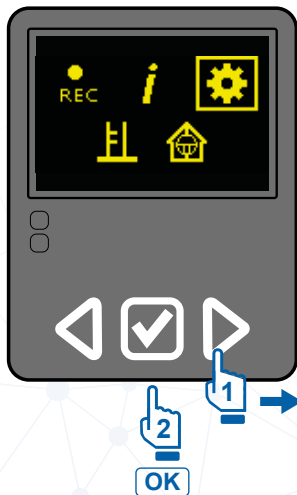


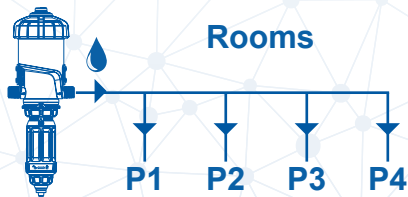
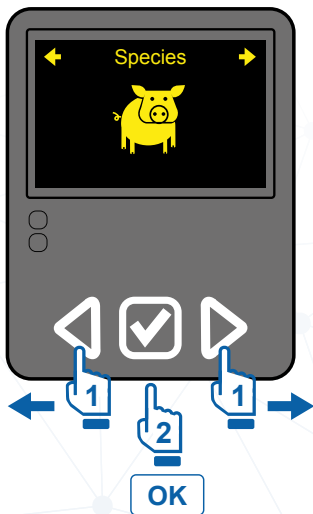


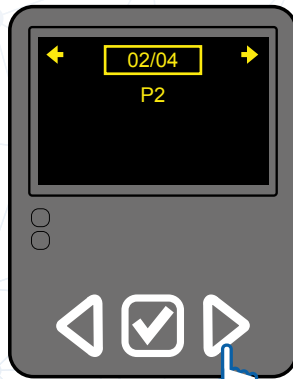
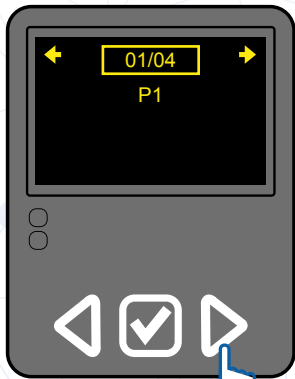
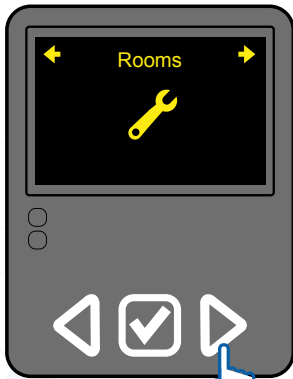
ON
(1 sec)

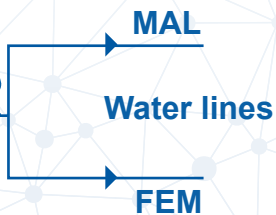
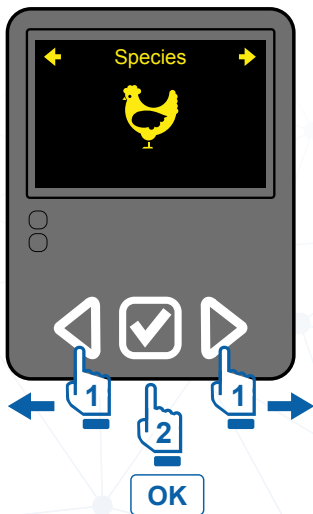


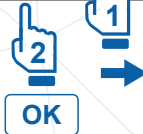
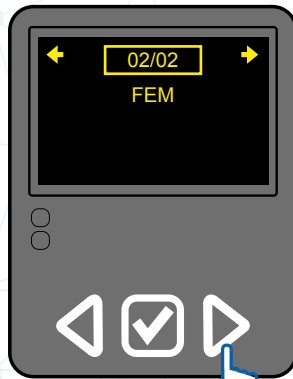
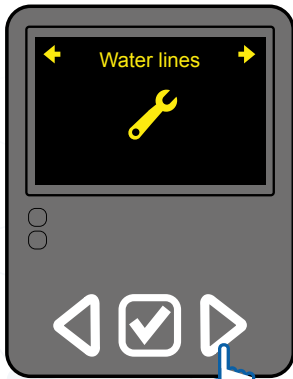
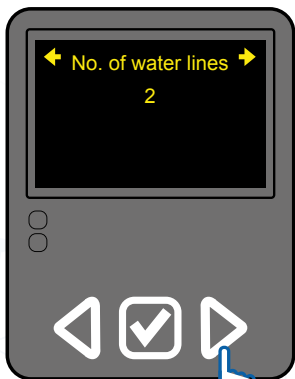


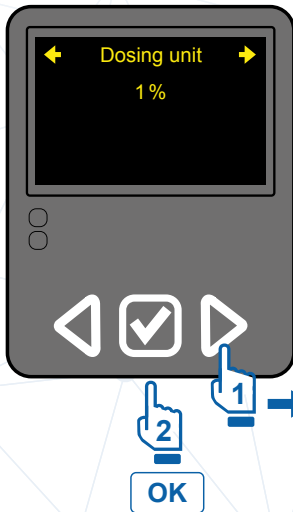
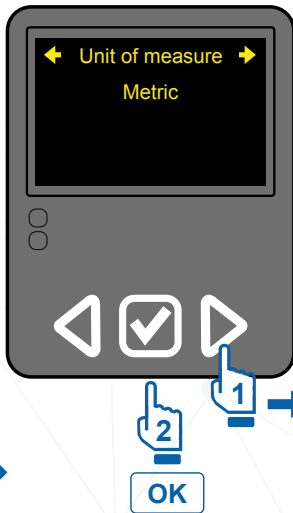


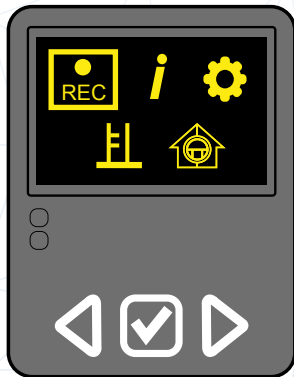








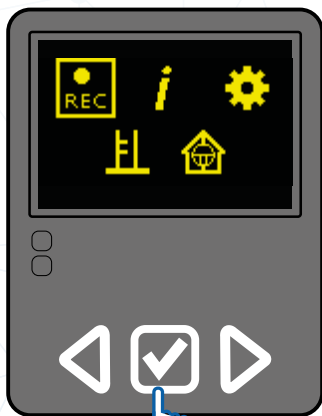




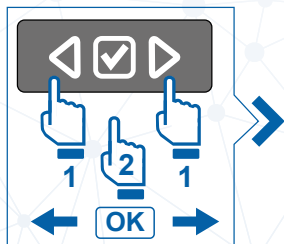




REC



OK



⬆ Medication / M ⬆

⬆ Vaccination / V ⬆

⬆ Acidification / A ⬆

⬆ Rinse / R ⬆

⬆ Sanitation / S ⬆

⬆ Others / X ⬆

⬆ Test / T ⬆

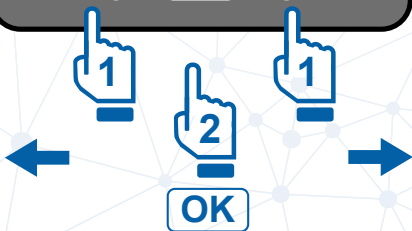
1

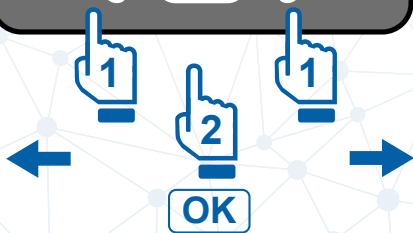
2

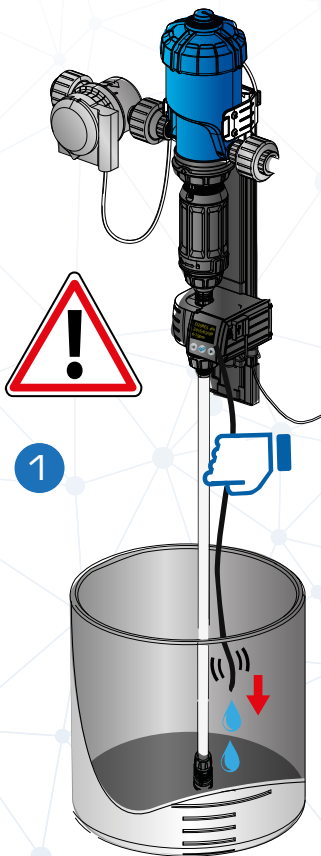
3

4

REC

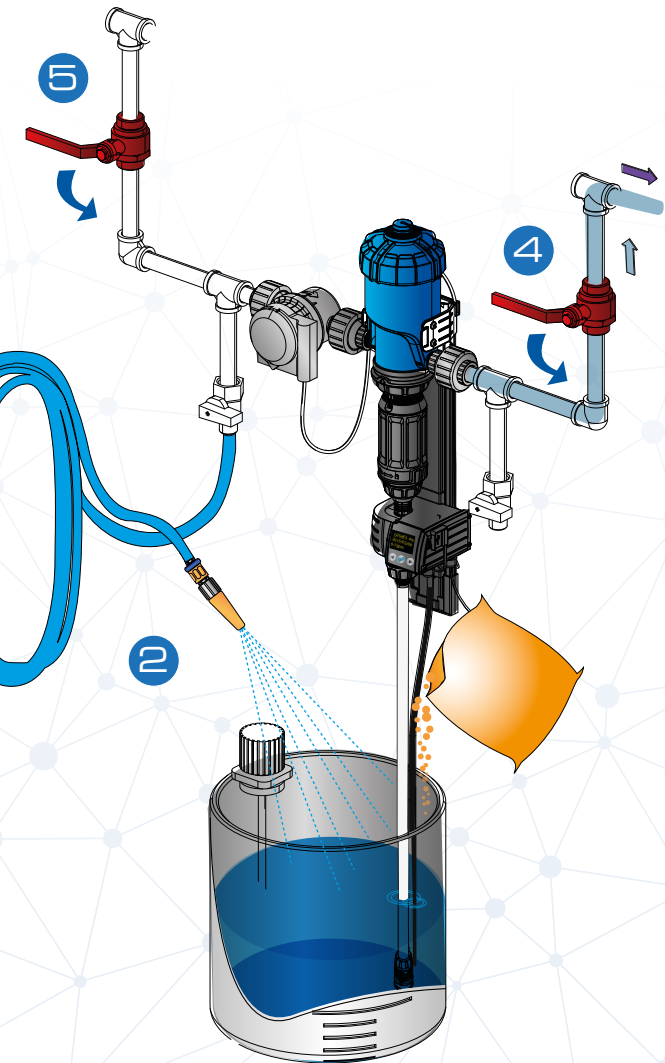




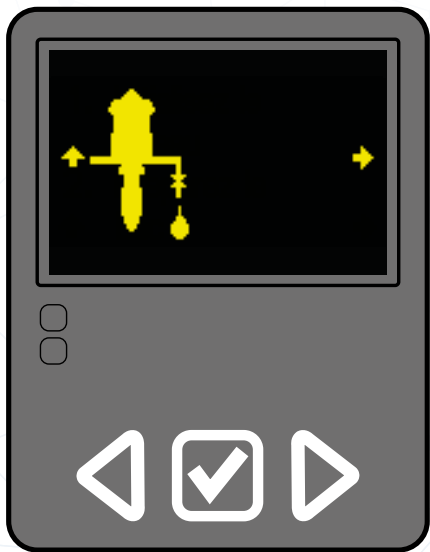


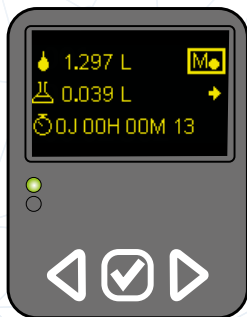
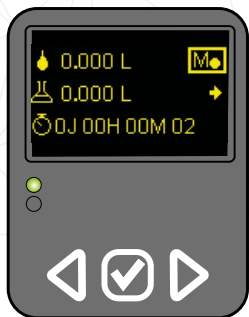
OK

3



- 1
- 2
- 3
- 4
- REC





1

2

3

4

REC





