



## QUICK START UP

### The DIaphragm DOSATRON 11 US GPM



*Congratulations on your new Dosatron.  
Please read the following important information.*

#### IMPORTANT NOTES

For complete information on the features and operations, refer to your manual on [www.dosatronusa.com](http://www.dosatronusa.com) or download our DOSATRON app



**NEED HELP ? CALL 800-523-8499**  
[www.dosatronusa.com](http://www.dosatronusa.com)

#### CUSTOMER SERVICE/DEPARTAMENTO CLIENTELA/ SERVICE CLIENTÈLE :

**NORTH & CENTRAL AMERICA :  
DOSATRON INTERNATIONAL INC.**

2090 SUNNYDALE BLVD. CLEARWATER - FL 33765 - USA  
Tel. 1-727-443-5404 / 1-800-523-8499 - Fax 1-727-447-0591  
Site web: [www.dosatronusa.com](http://www.dosatronusa.com)

#### MANUFACTURED BY/FABRICADO POR/FABRIQUÉ PAR :

**DOSATRON INTERNATIONAL S.A.S.** Certified QEH&S System  
Rue Pascal - B.P. 6 - 33370 TRESSES (BORDEAUX) - FRANCE  
Tel. 33 (0)5 57 97 11 11  
Fax. 33 (0)5 57 97 11 29 / 33 (0)5 57 97 10 85  
[info@dosatron.com](mailto:info@dosatron.com) - [www.dosatron.com](http://www.dosatron.com)



This document does not form a contractual engagement on the part of Dosatron International and is for information only. Dosatron International reserves the right to alter product specification or appearance without prior notice.

© DOSATRON INTERNATIONAL S.A.S 2012

ET264/ Warning-DM11-US/11/15

#### CAUTION

- When connecting a DOSATRON either to the public water supply or to its own water source, you must respect the regulations in force concerning protection of the source i.e. backflow prevention, etc.
- Contact local authorities for requirements of backflow prevention.
- When installing, operating, and maintaining the DOSATRON water powered metering pump, keep safety considerations foremost. Use proper tools, protective clothings, and eye protection when working on the equipment and install the equipment with a view toward ensuring safe operation.
- Follow the instructions in the manual and take additional safety measures appropriate to the liquid being pumped and the temperature of the water that powers the DOSATRON. Be extremely careful in the presence of hazardous substances (e.g. corrosives, toxins, solvents, acids, caustic, flammables, etc.).
- Before applying any aggressive chemicals, please consult your distributor to confirm compatibility with the dosing pump.

**Hand tighten. No tools needed.**

#### RECOMMENDATIONS

**DO NOT USE THIS UNIT WITHOUT A 200 MESH [80 MICRON] WATER FILTER\* OR YOUR WARRANTY WILL BE VOID.**

\*The 200 mesh [80 micron] water filter (sold separately) protects your unit from debris in the water that causes scoring to the piston and housing.

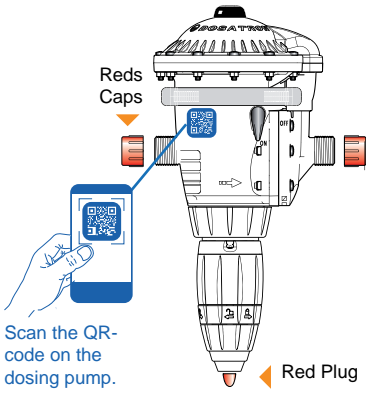
**KNOW YOUR WATER FLOW!  
GRADUALLY TURN ON THE WATER.  
COUNT THE NUMBER OF CLICKS IN 15 SECONDS.  
DO NOT EXCEED 46\* CLICKS.**

#### RECOMMENDATIONS

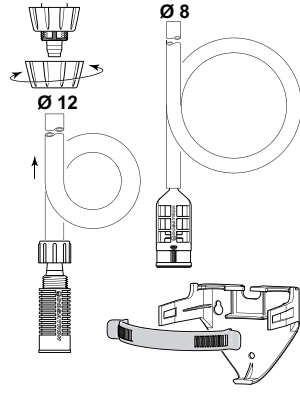
CLICK CHART	
Clicks Per 2 minutes	
Clicks/2 min	US GPM
1	0.03
2	0.06
3	0.1
Clicks Per 1 minute	
Clicks/Min	US GPM
3	0.18
6	0.35
Clicks Per 15 seconds	
Clicks/15sec	US GPM
2	0,5
4	1
16	4
38	9
46	11

**MAXIMUM PRESSURE 85 PSI [6 bar]**

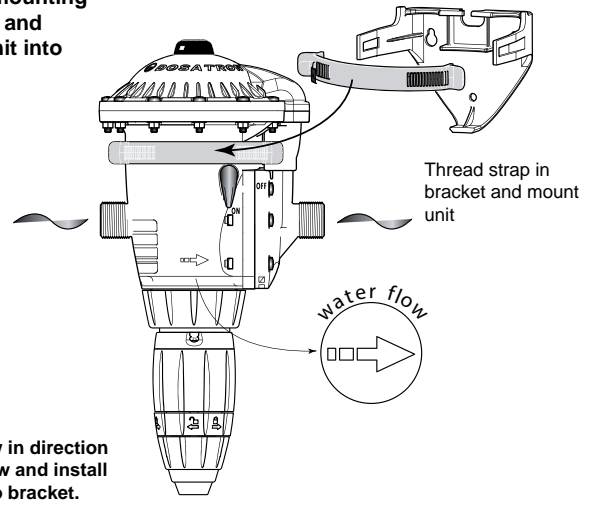
**1 Check your contents**



**2 Remove protective caps**

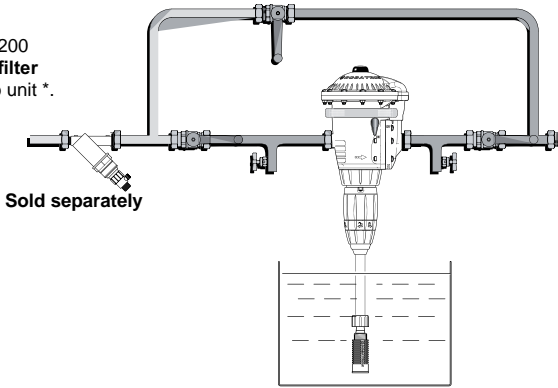


**3 Install mounting bracket and snap unit into bracket**

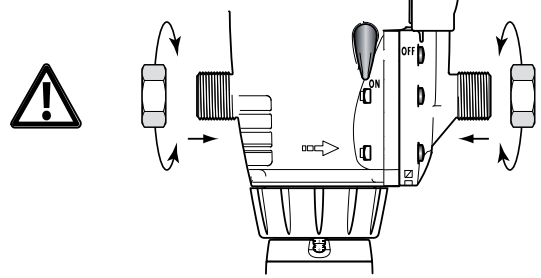


**4 Connect unit to water supply**

Install 200 mesh filter prior to unit \*



**5**

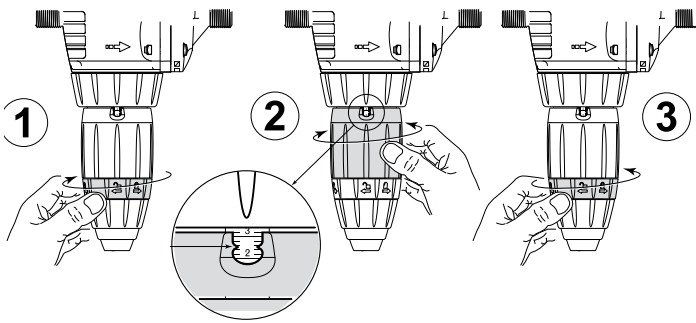


Max.Torque 20 Nm thus 2 kg (1 N.m = 0,1 DaN.m)

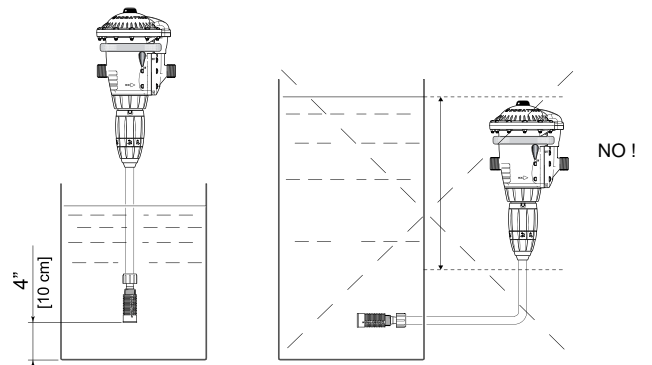
Maximum: 46 clicks/15 sec.

**6 Injection rate**

ADJUSTABLE MODEL

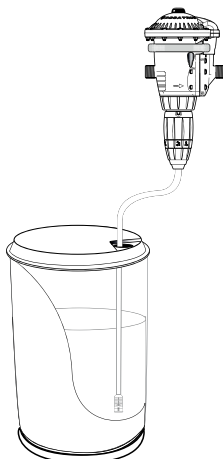


**7**



**8 Place Suction Tube into Solution Container**

When possible, do not place the container directly under the unit. Keep weight off bottom of stock tank.



**9 Gradually turn on water supply and bleed air from the unit**

Press air bleed button until water comes out. DON'T FORGET TO COUNT THE CLICKS (See click chart).

