



DOSATRON®

An Ingersoll Rand Business



D14TMZ5 - 14 GPM INTERACTIVE SCHEMATICS

UNIT SPECIFICATIONS

- 1:200 - 1:20
- 4.3 - 85 PSI
- 3/4" NPT Connection

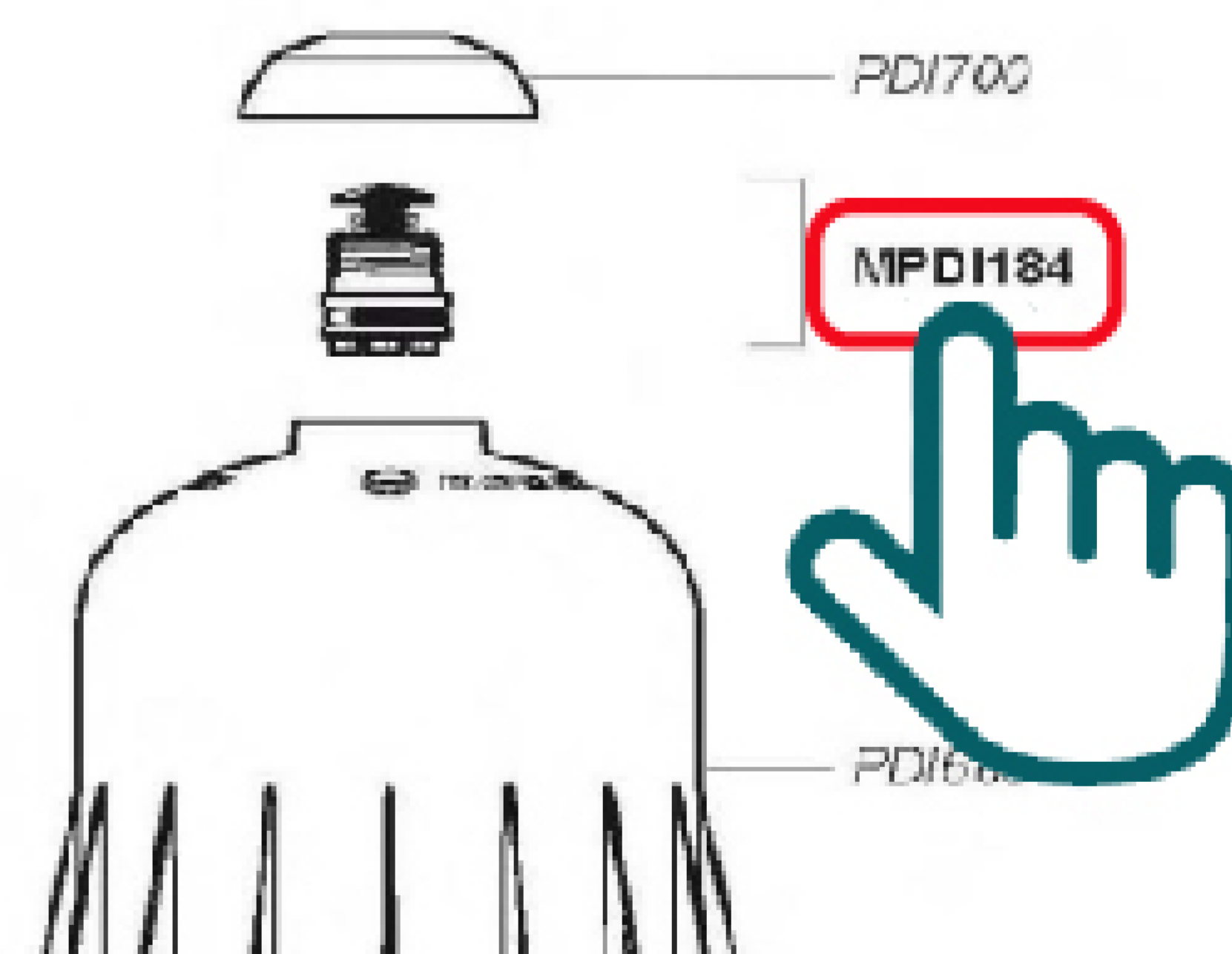
SUGGESTED INSTALLATION

- 200 mesh/80 micron water filter prior to the unit

SUGGESTED MAINTENANCE

- Injection Seal Kit.
Part #: [PJDI120](#)
for yearly maintenance
- Piston Flange Kit
Part #: [PPDI034-1](#)

DOCUMENT INSTRUCTIONS



- Click on a part #, to visit item page
- Click arrow back from item page, to return to this document



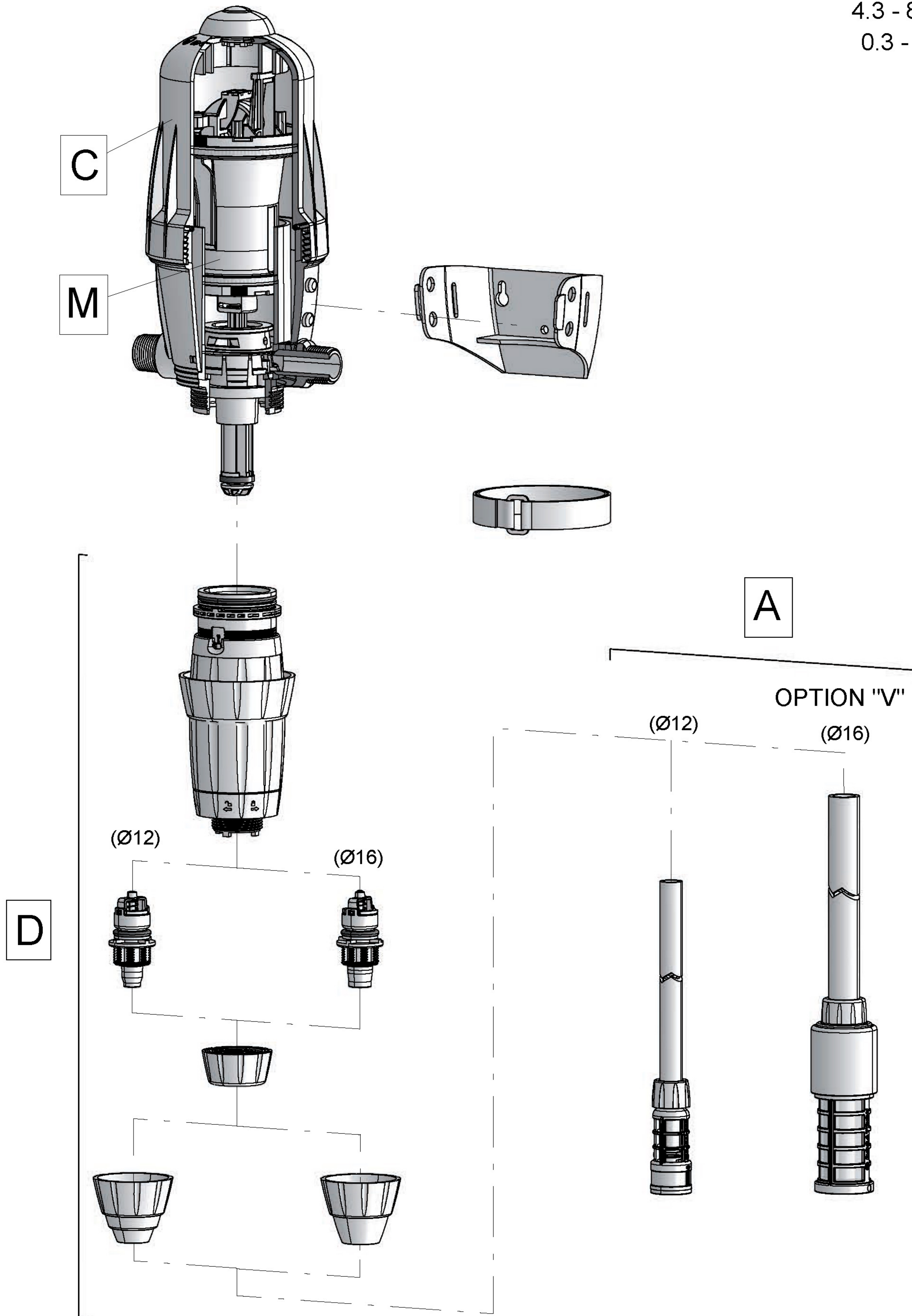
D14TMZ5

14 GPM - 1:200 - 1:20
3m³/h - 0.5 - 5%
4.3 - 85 psi
0.3 - 6 bar



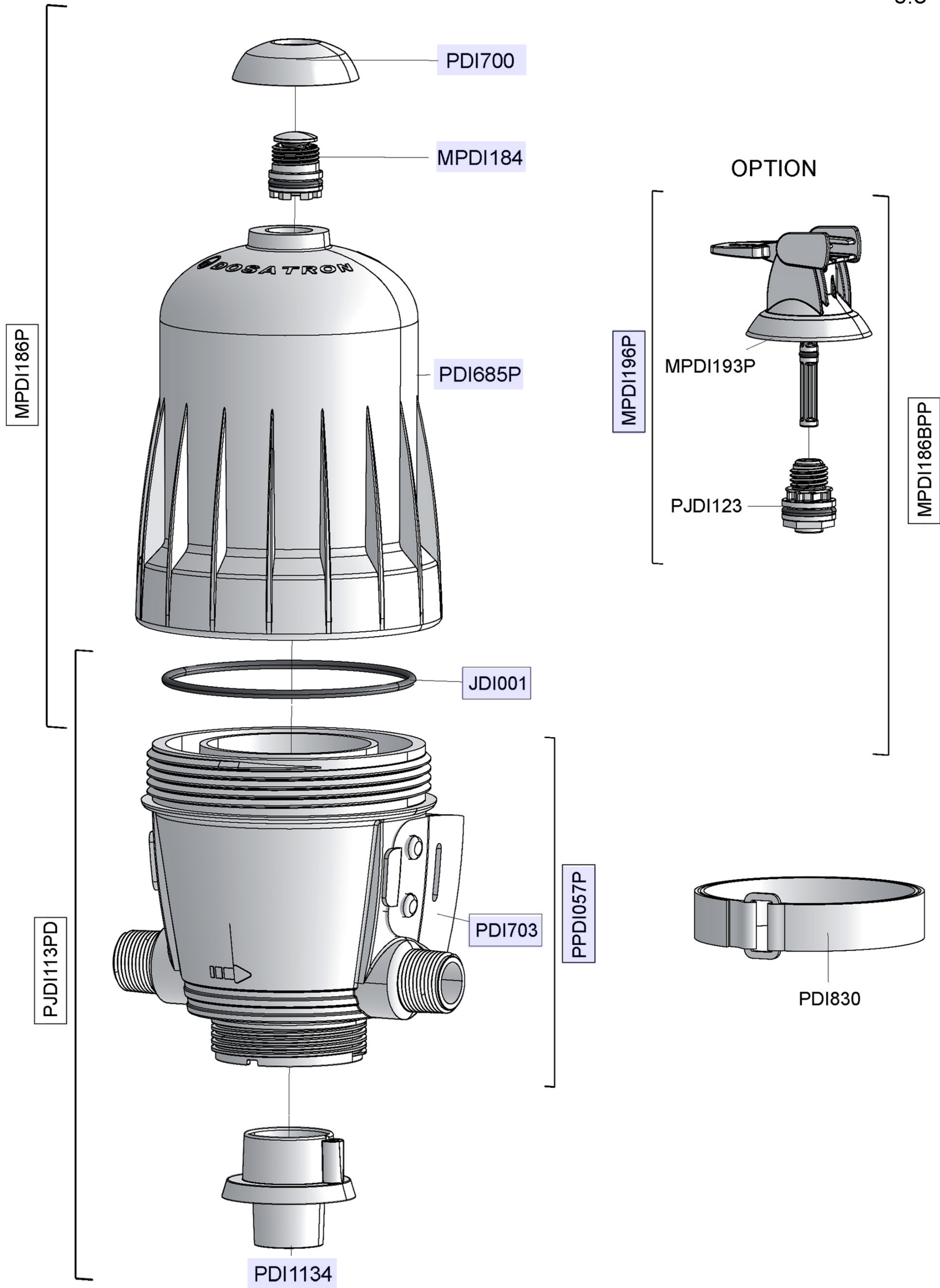
D14TMZ5

14 GPM - 1:200 - 1:20
3m³/h - 0.5 - 5%
4.3 - 85 psi
0.3 - 6 bar



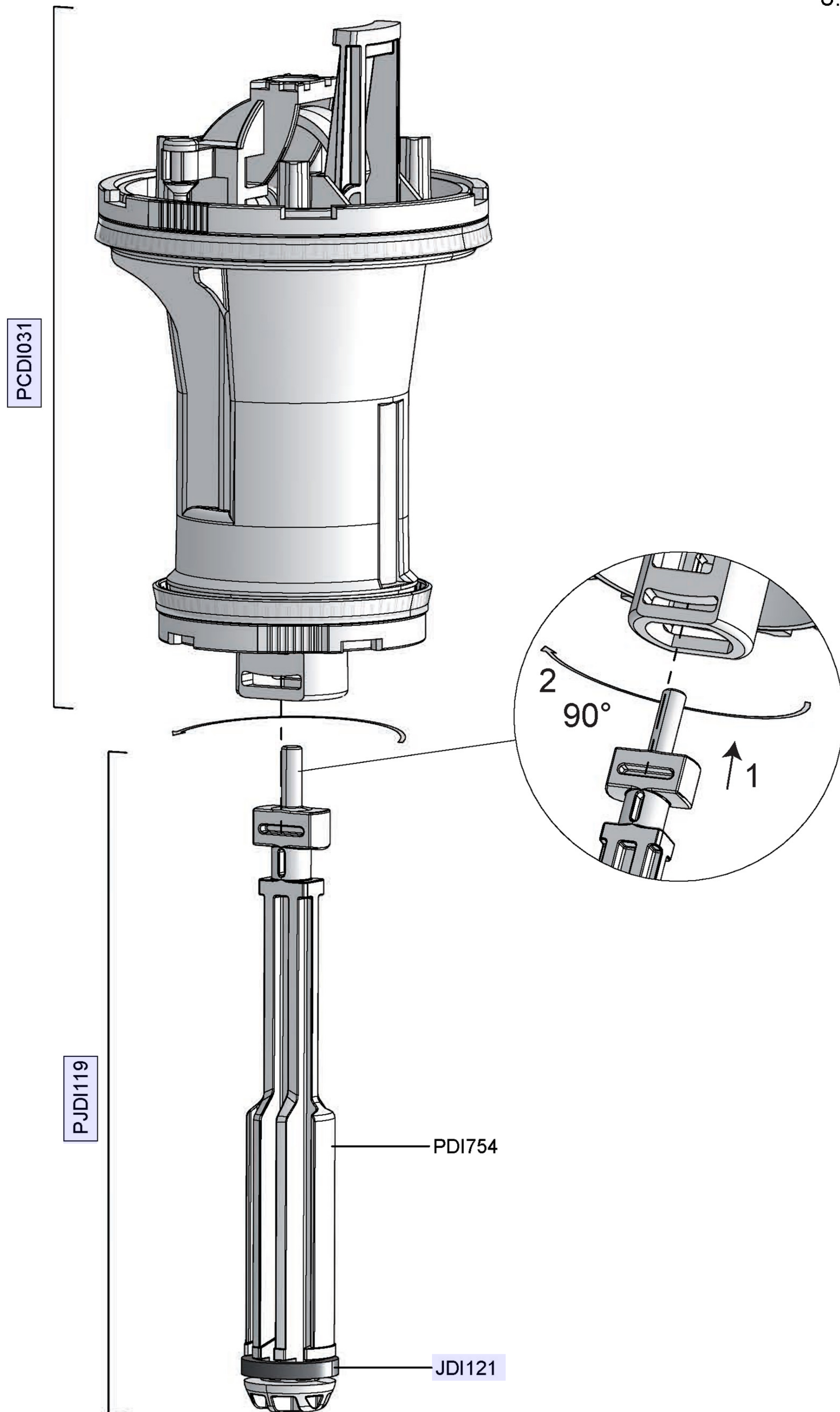
D14TMZ5

14 GPM - 1:200 - 1:20
3m³/h - 0.5 - 5%
4.3 - 85 psi
0.3 - 6 bar



D14TMZ5

14 GPM - 1:200 - 1:20
3m³/h - 0.5 - 5%
4.3 - 85 psi
0.3 - 6 bar



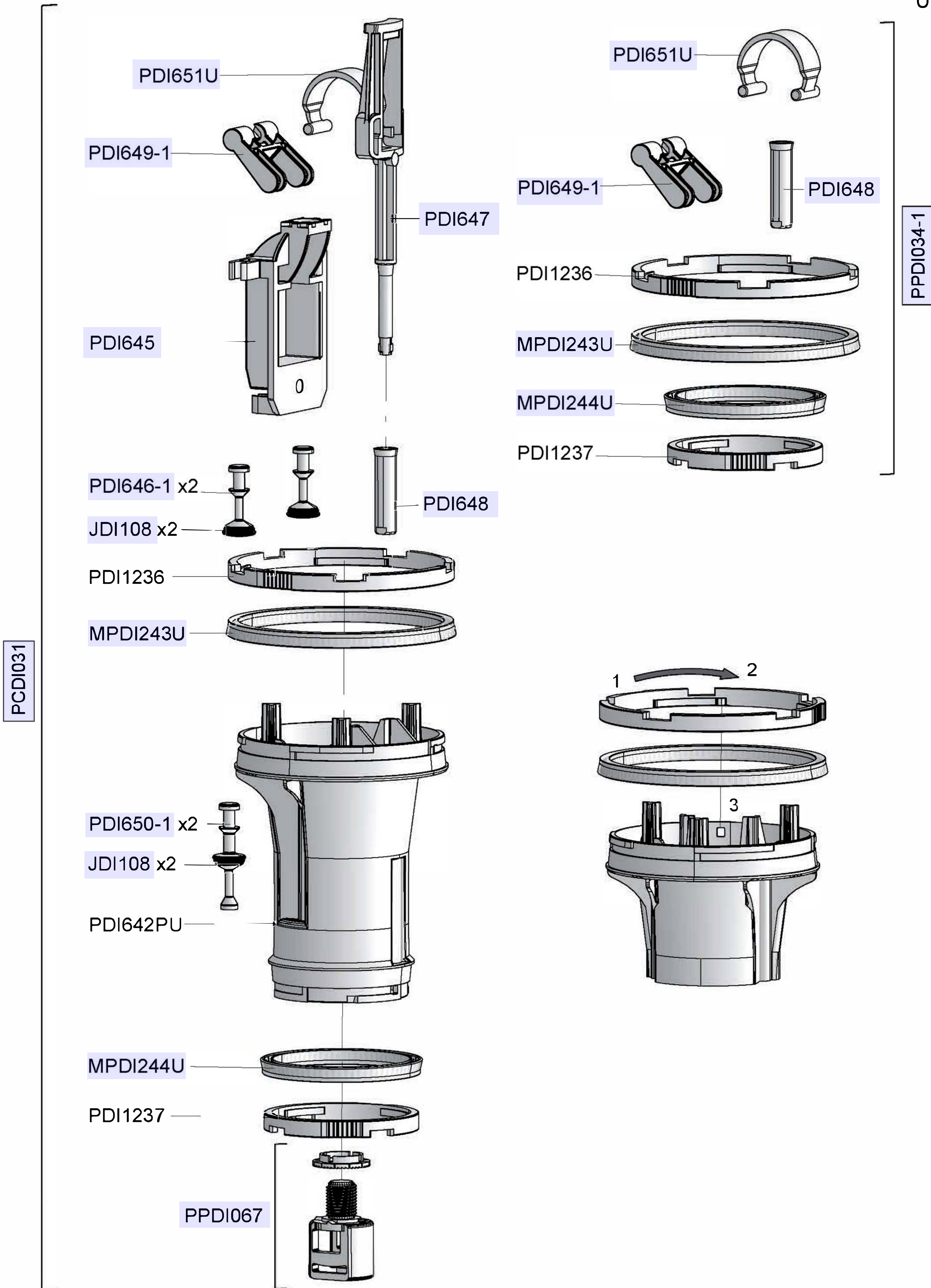
D14TMZ5

14 GPM - 1:200 - 1:20

3m³/h - 0.5 - 5%

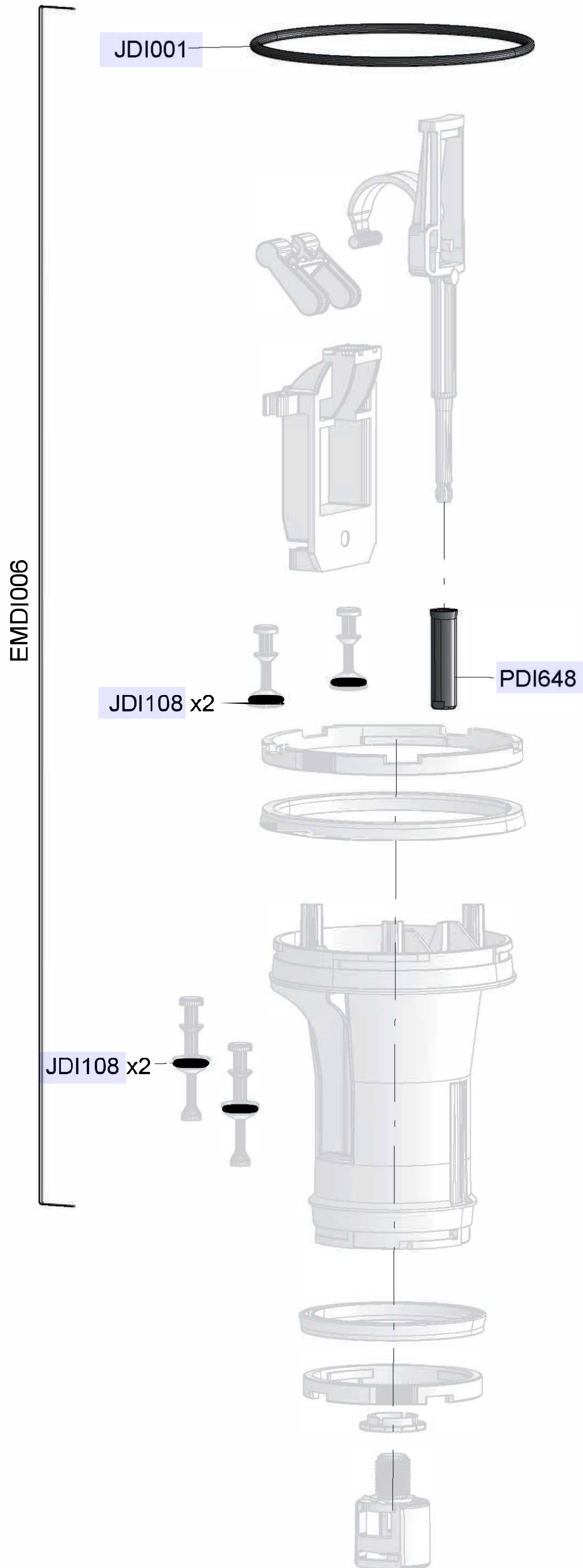
4.3 - 85 psi

0.3 - 6 bar



D14TMZ5

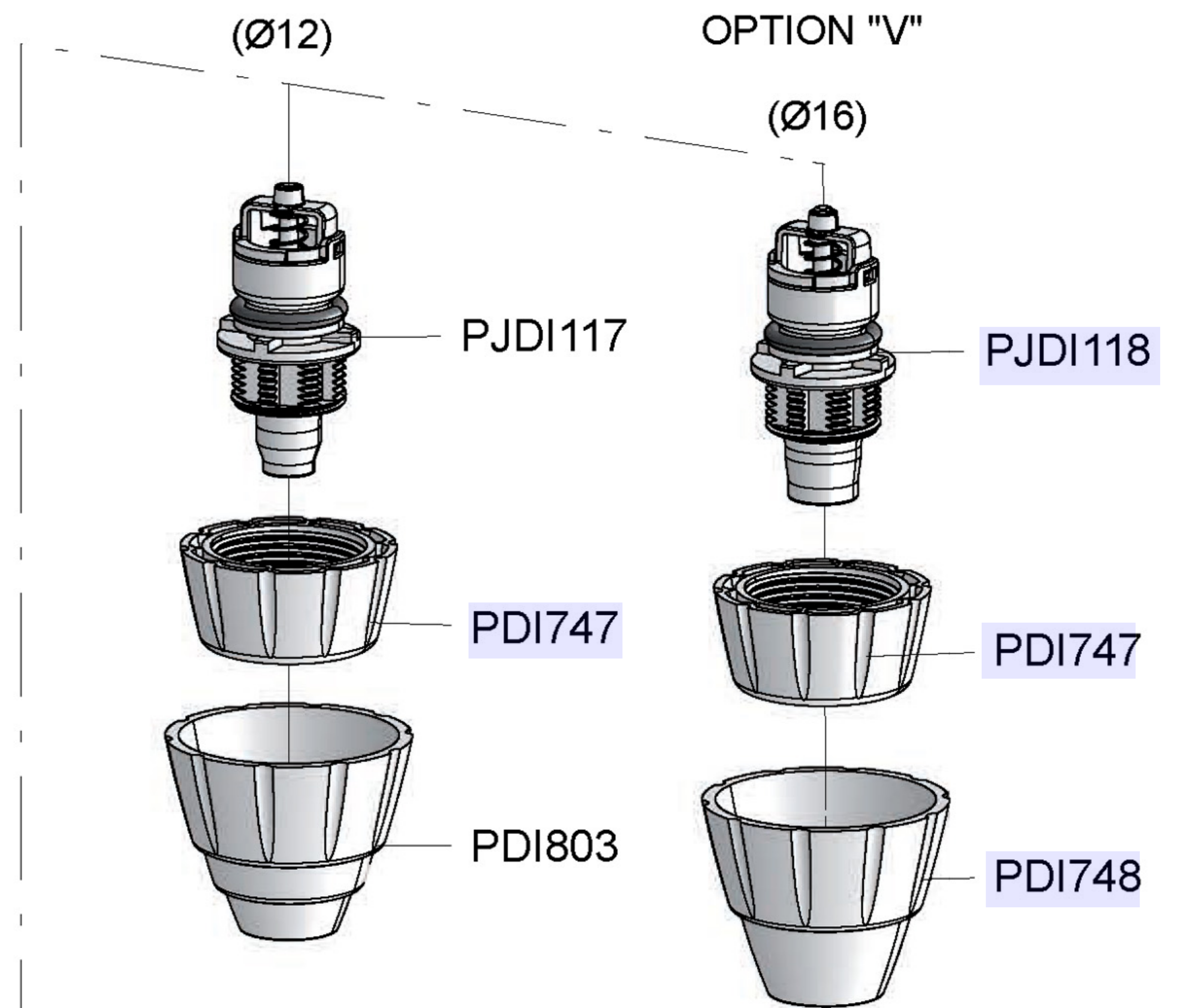
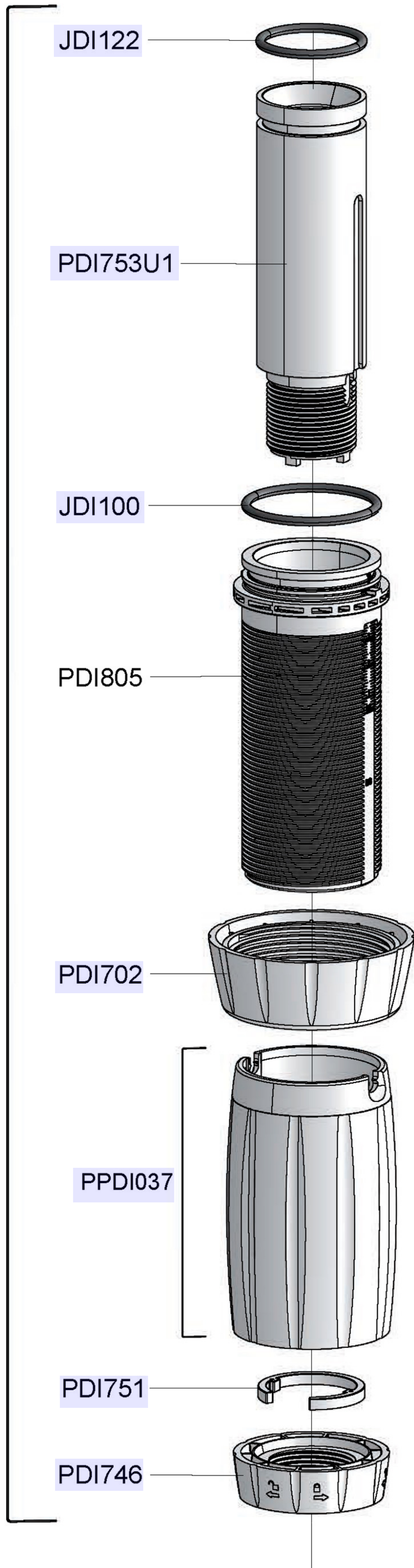
14 GPM - 1:200 - 1:20
3m³/h - 0.5 - 5%
4.3 - 85 psi
0.3 - 6 bar



D14TMZ5

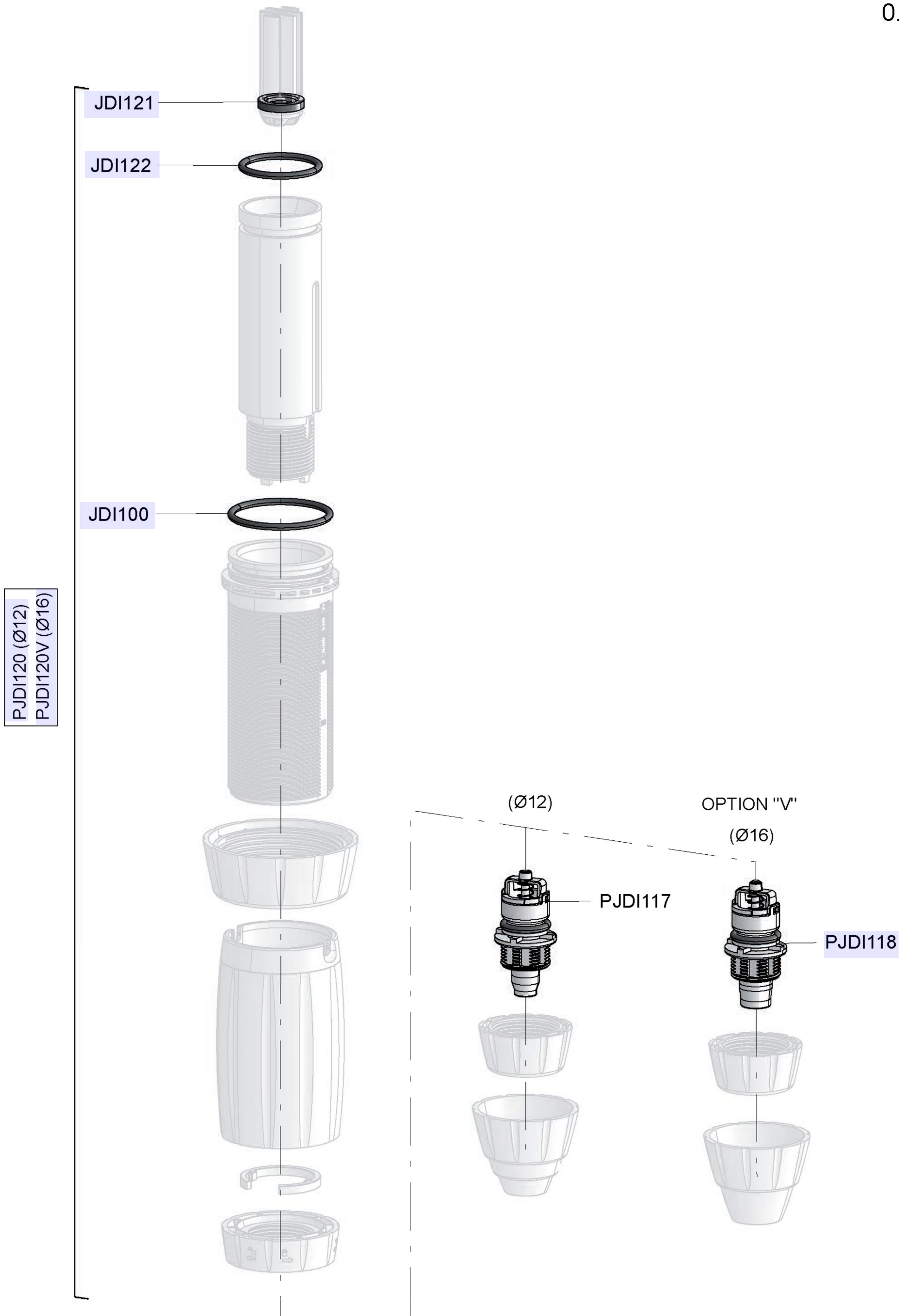
14 GPM - 1:200 - 1:20
3m³/h - 0.5 - 5%
4.3 - 85 psi
0.3 - 6 bar

CDDI075-1(Ø12)
CDDI075V-1(Ø16)



D14TMZ5

14 GPM - 1:200 - 1:20
3m³/h - 0.5 - 5%
4.3 - 85 psi
0.3 - 6 bar



D14TMZ5

14 GPM - 1:200 - 1:20
3m³/h - 0.5 - 5%
4.3 - 85 psi
0.3 - 6 bar

OPTION "V"

