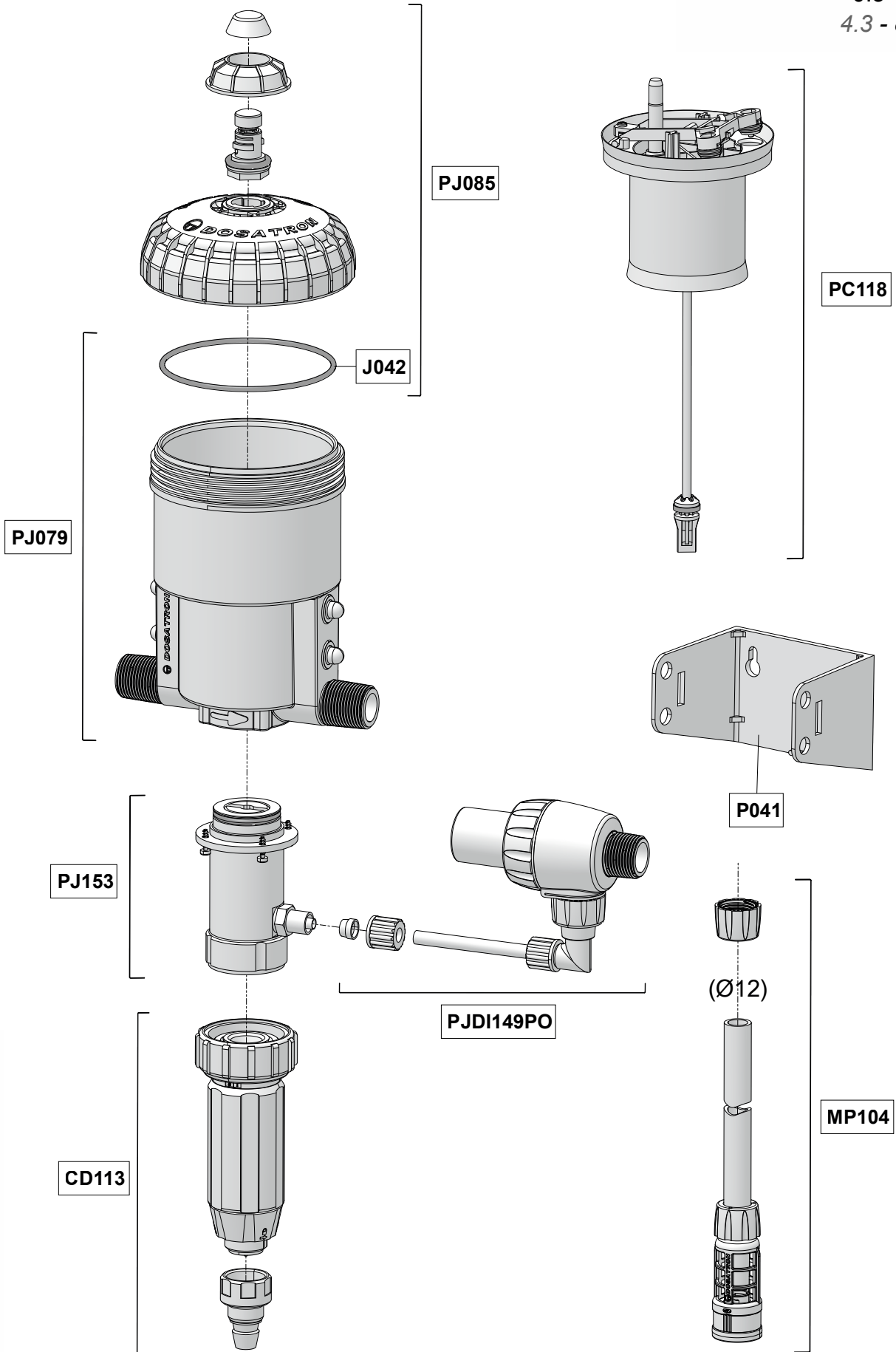


# D25WL2IEPO

2.5 m<sup>3</sup>/h - 0.2 - 2%  
11 GPM - 1:500 - 1:50  
0.3 - 6 bar  
4.3 - 85 psi



# D25WL2IEPO

2.5 m<sup>3</sup>/h - 0.2 - 2%  
11 GPM - 1:500 - 1:50  
0.3 - 6 bar  
4.3 - 85 psi

PJ153

CD113

