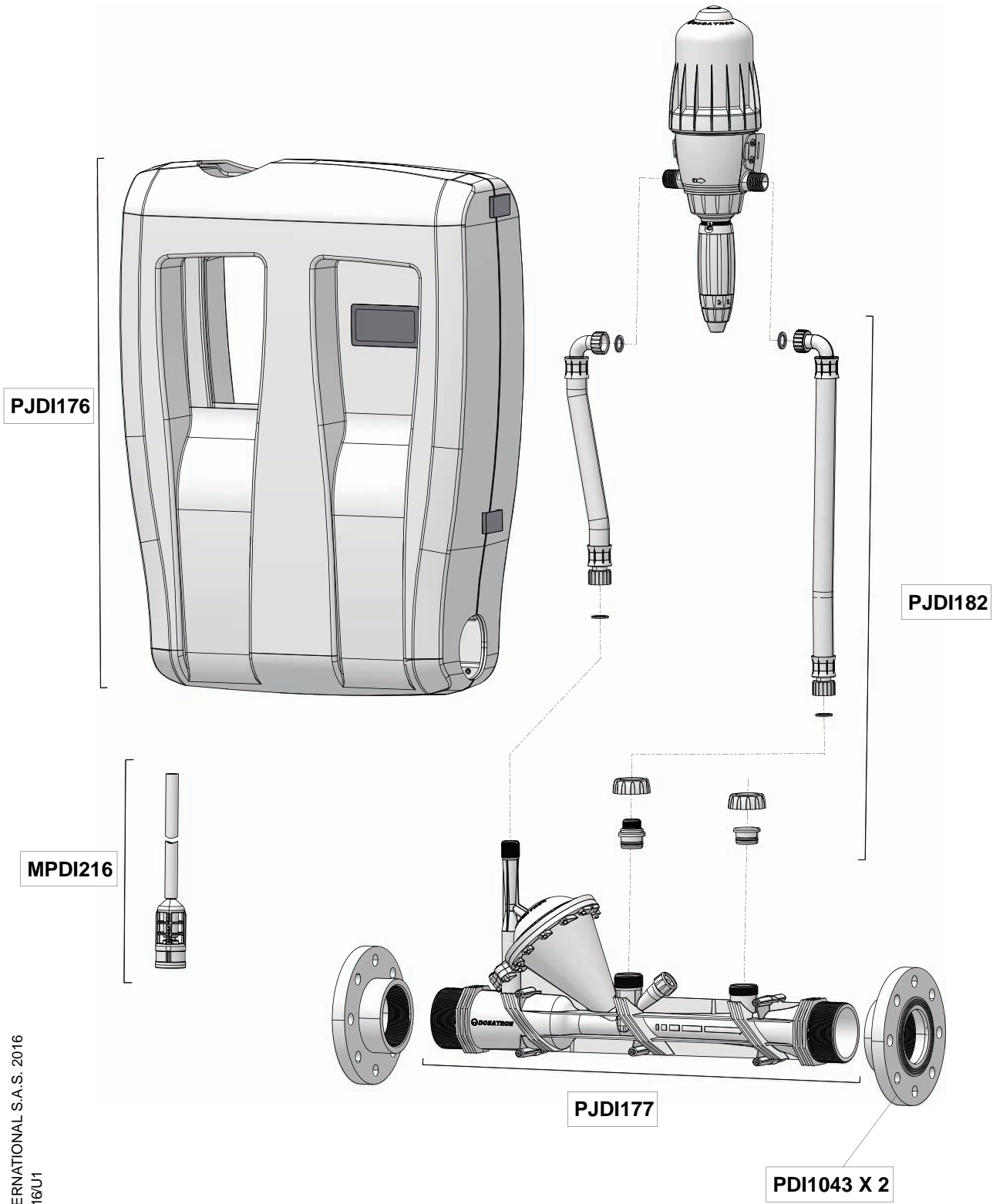


# D30 0.02 - 0.2%

30m<sup>3</sup>/h - 0.02 - 0.2%  
132 GPM - 1:5000 - 1:500  
0.5 - 6 bar  
7.25 - 87 psi



# D30 0.02 - 0.2%

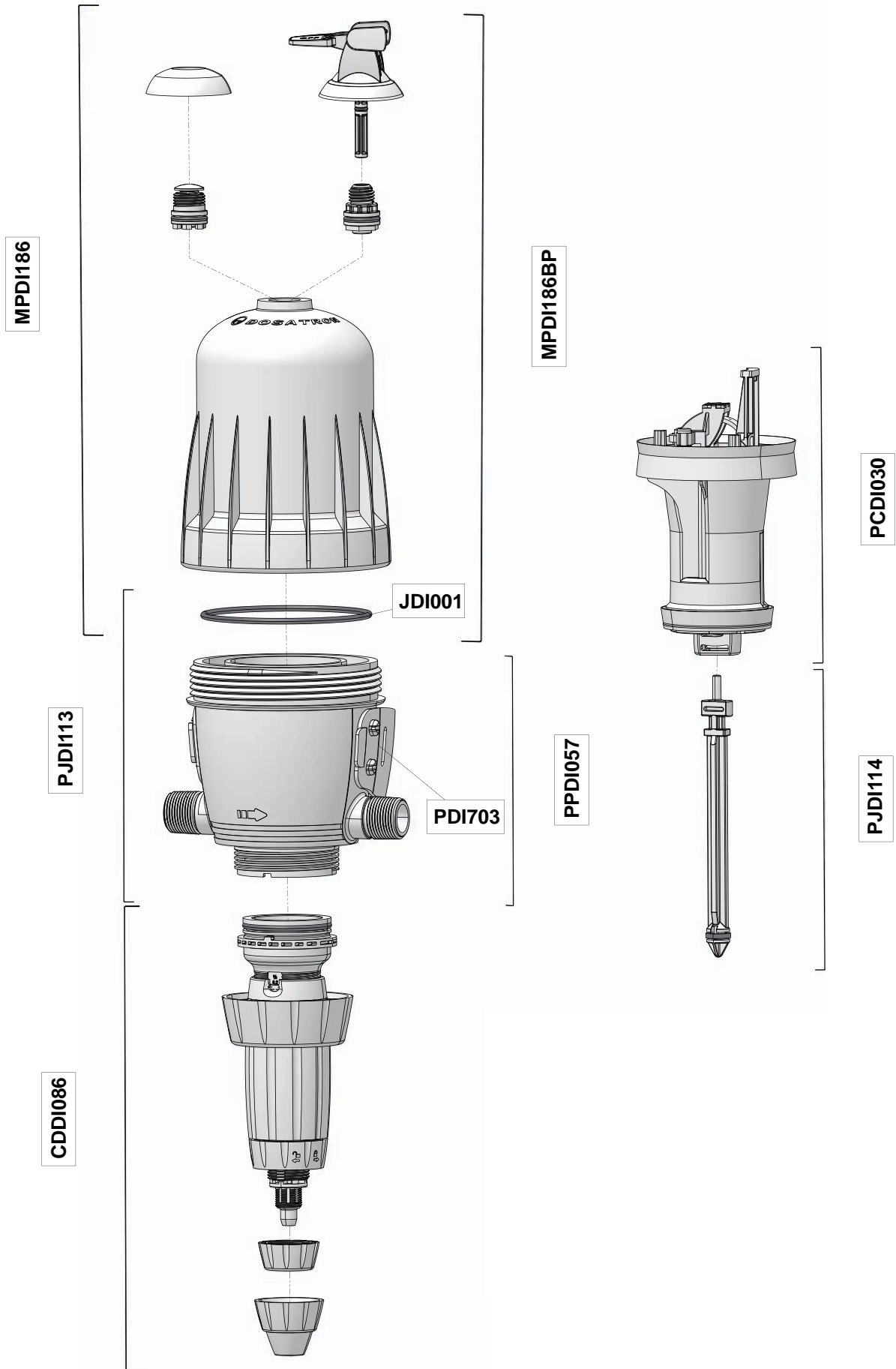
30m<sup>3</sup>/h - 0.02 - 0.2%  
132 GPM - 1:5000 - 1:500  
0.5 - 6 bar  
7.25 - 87 psi

EMDI009



# D30 0.02 - 0.2%

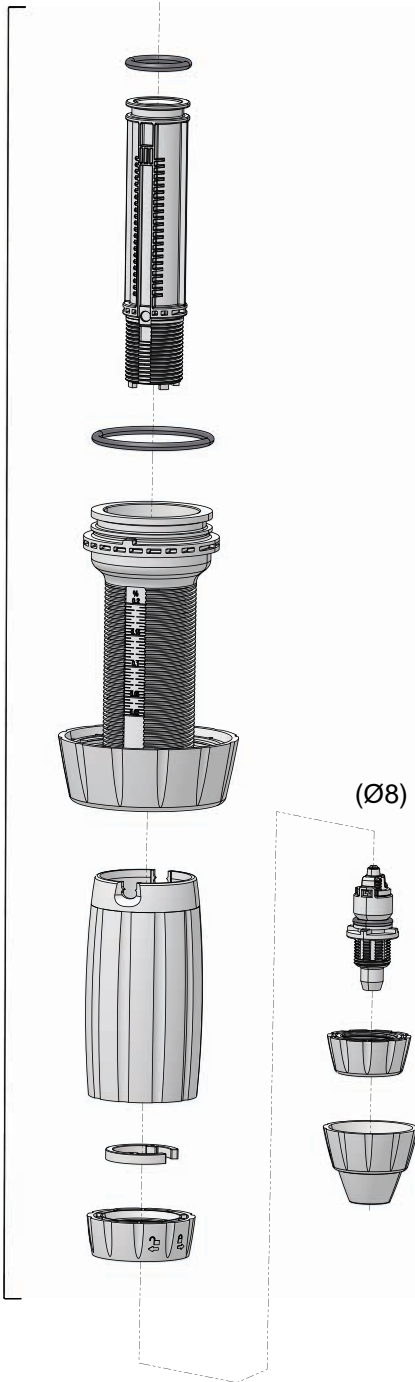
30m<sup>3</sup>/h - 0.02 - 0.2%  
132 GPM - 1:5000 - 1:500  
0.5 - 6 bar  
7.25 - 87 psi



# D30 0.02 - 0.2%

30m<sup>3</sup>/h - 0.02 - 0.2%  
132 GPM - 1:5000 - 1:500  
0.5 - 6 bar  
7.25 - 87 psi

CDDI086



PJDI116

