



DOSATRON®

WATER POWERED DOSING TECHNOLOGY



D14MZ10 - 14 GPM INTERACTIVE SCHEMATICS

UNIT SPECIFICATIONS

- 1:100 - 1:10
- 7 - 85 PSI
- 3/4" NPT Connection

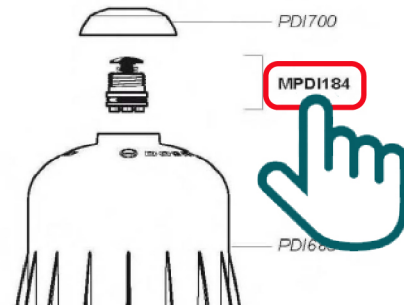
SUGGESTED INSTALLATION

- 200 mesh/80 micron water filter prior to the unit
- One-way check valve down-stream from the unit for water hammer protection

SUGGESTED MAINTENANCE

- Mini-Maintenance Kit
Part #: [PJDI122MINI-H](#)
For regular maintenance
- Injection Seal Kit
Part #: [PJDI122](#)
Part #: [PJDI122V](#) (viscous)
For yearly maintenance
- Rebuild Kit
Part #: [MKD14MZ10](#)
Extends the life of your unit
- Piston Flange Kit
Part #: [PPDI034](#)

DOCUMENT INSTRUCTIONS

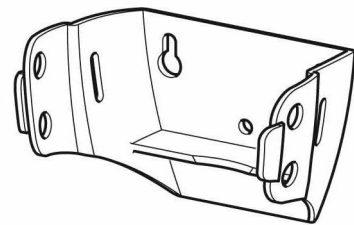
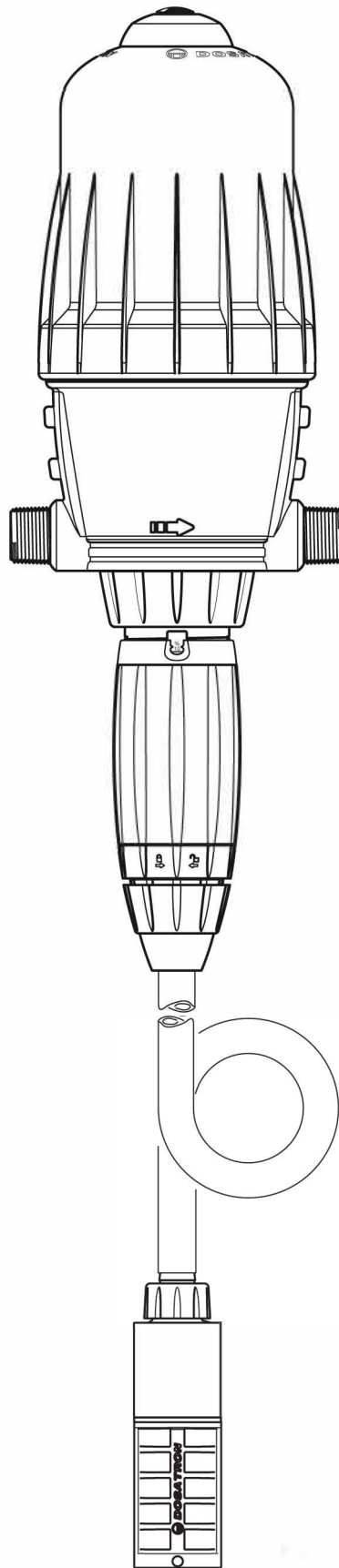


- Click on a part #, to visit item page
- Click arrow back from item page, to return to this document



D14MZ10

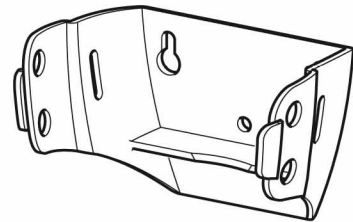
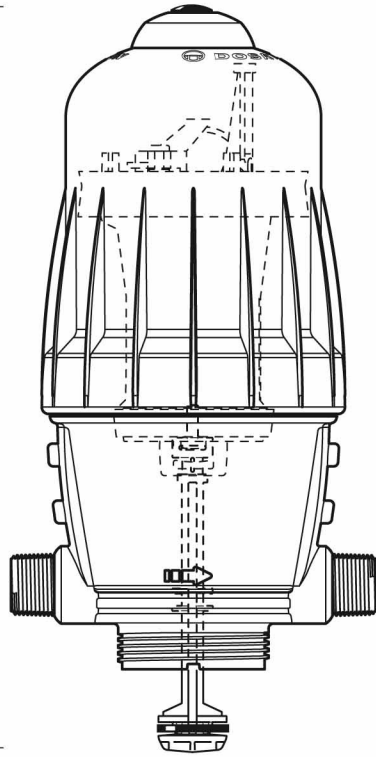
14 GPM - 1:100 - 1:10
3 m³/h - 1 -10 %
7 - 85 psi
0.5 - 6 bar



D14MZ10

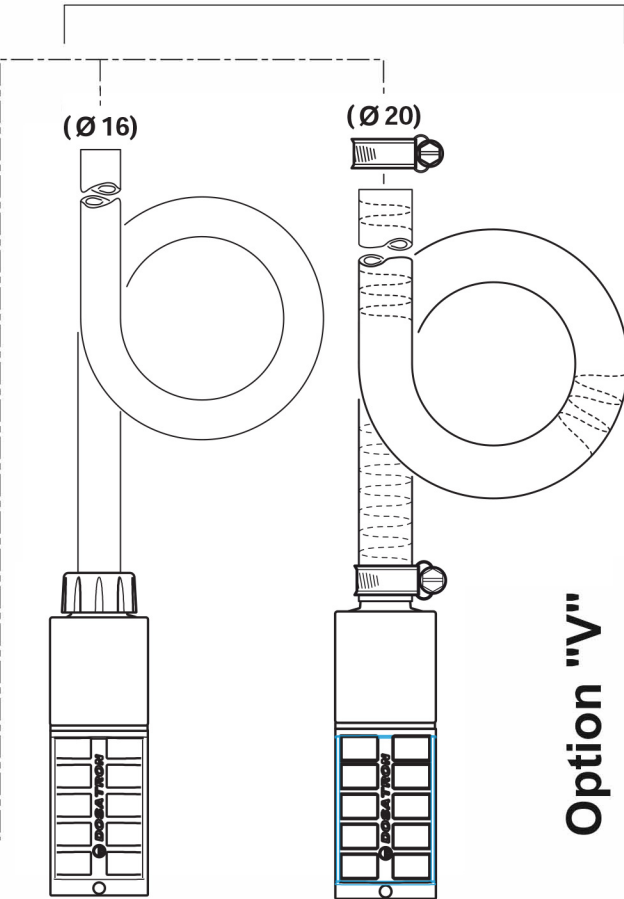
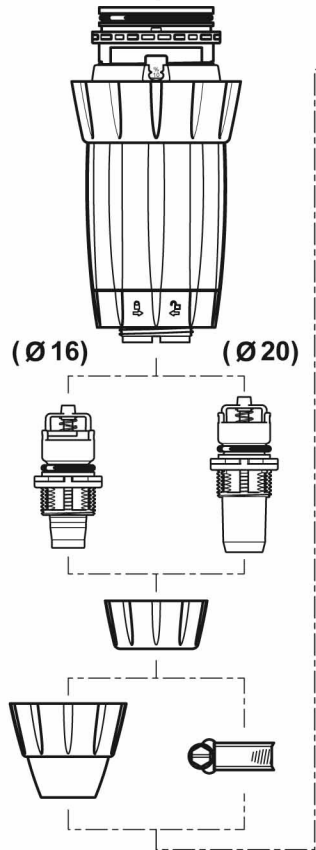
14 GPM - 1:100 - 1:10
3 m³/h - 1 - 10 %
7 - 85 psi
0.5 - 6 bar

C+M



A

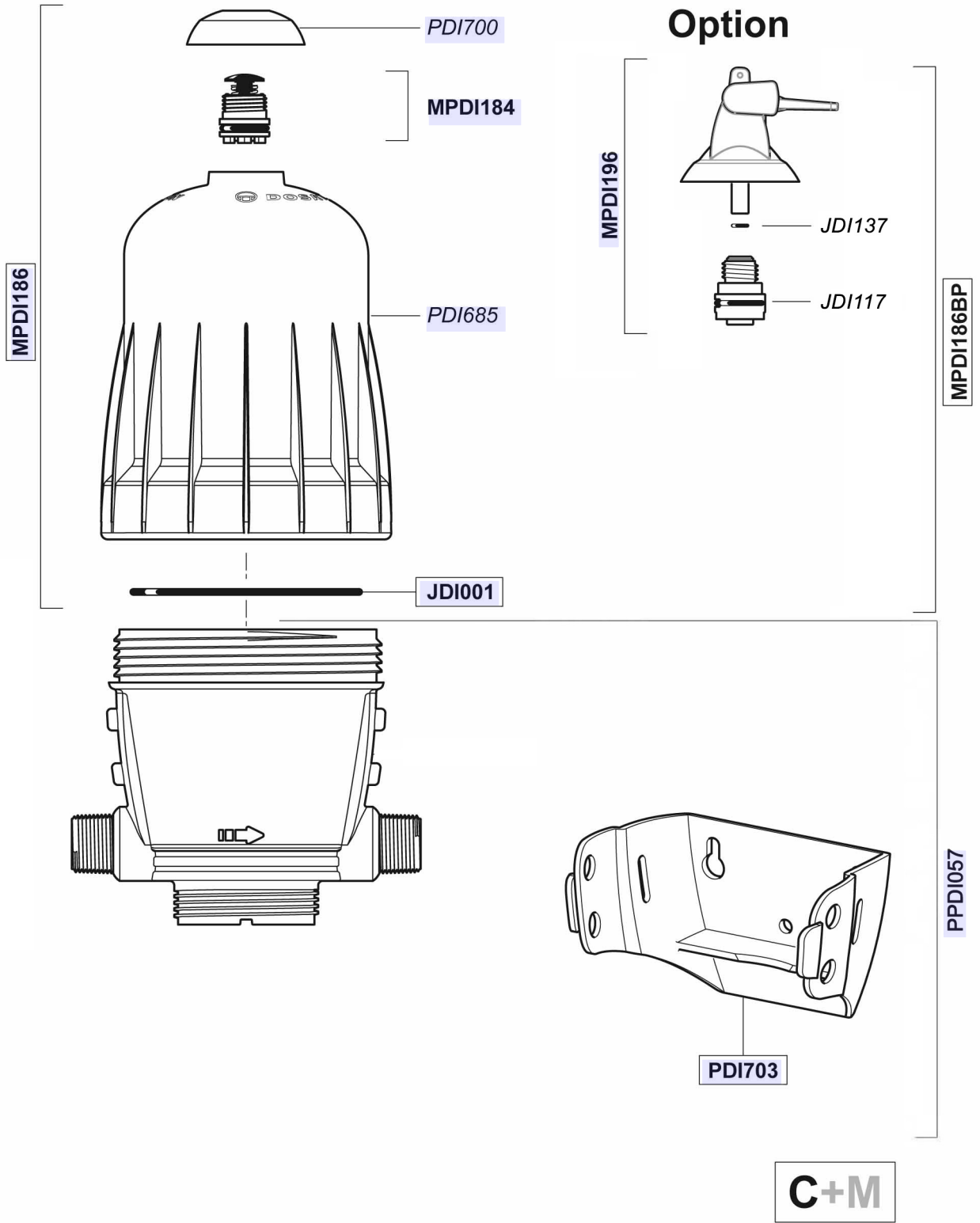
D



Option "V"

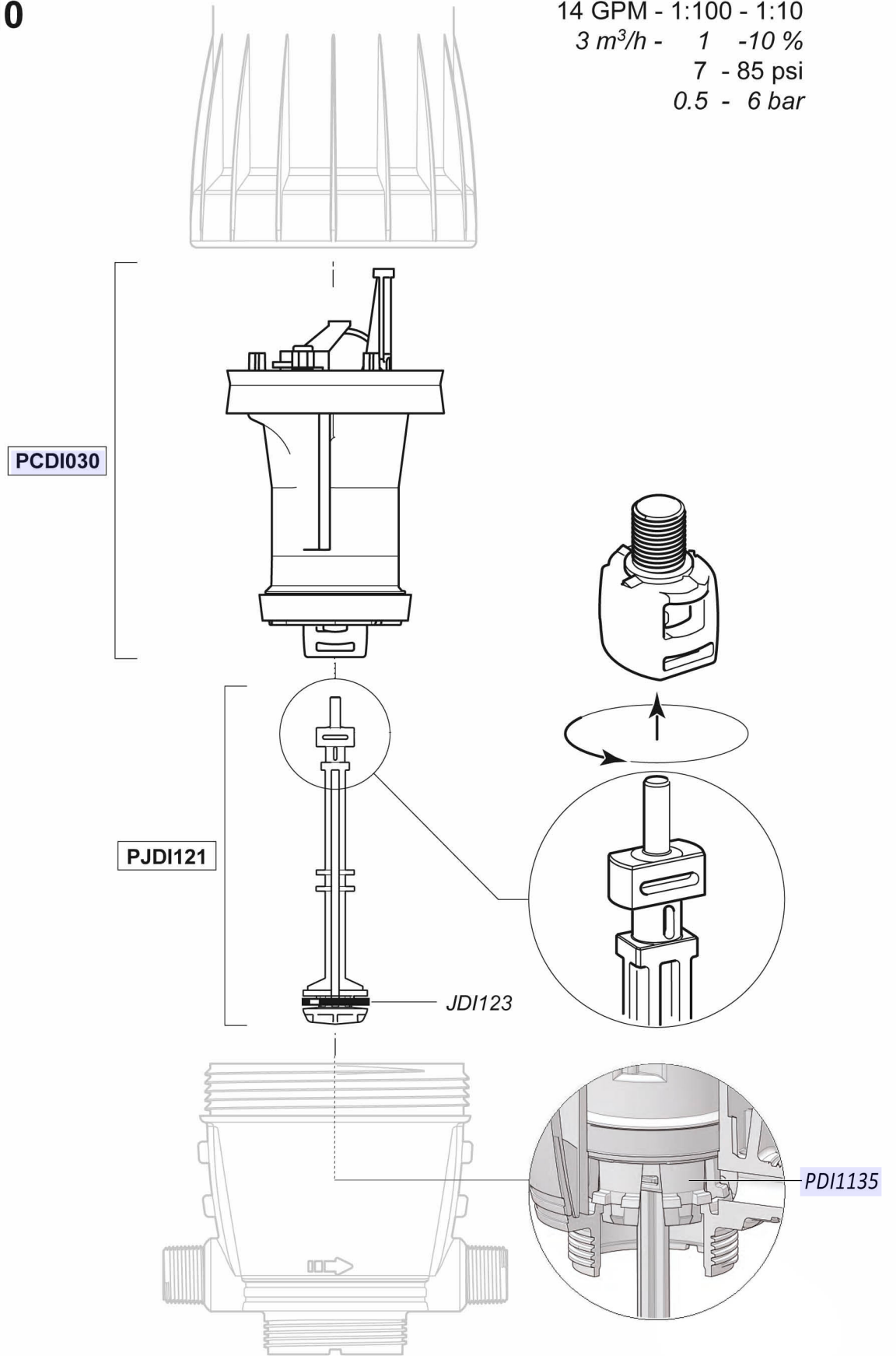
D14MZ10

14 GPM - 1:100 - 1:10
3 m³/h - 1 -10 %
7 - 85 psi
0.5 - 6 bar



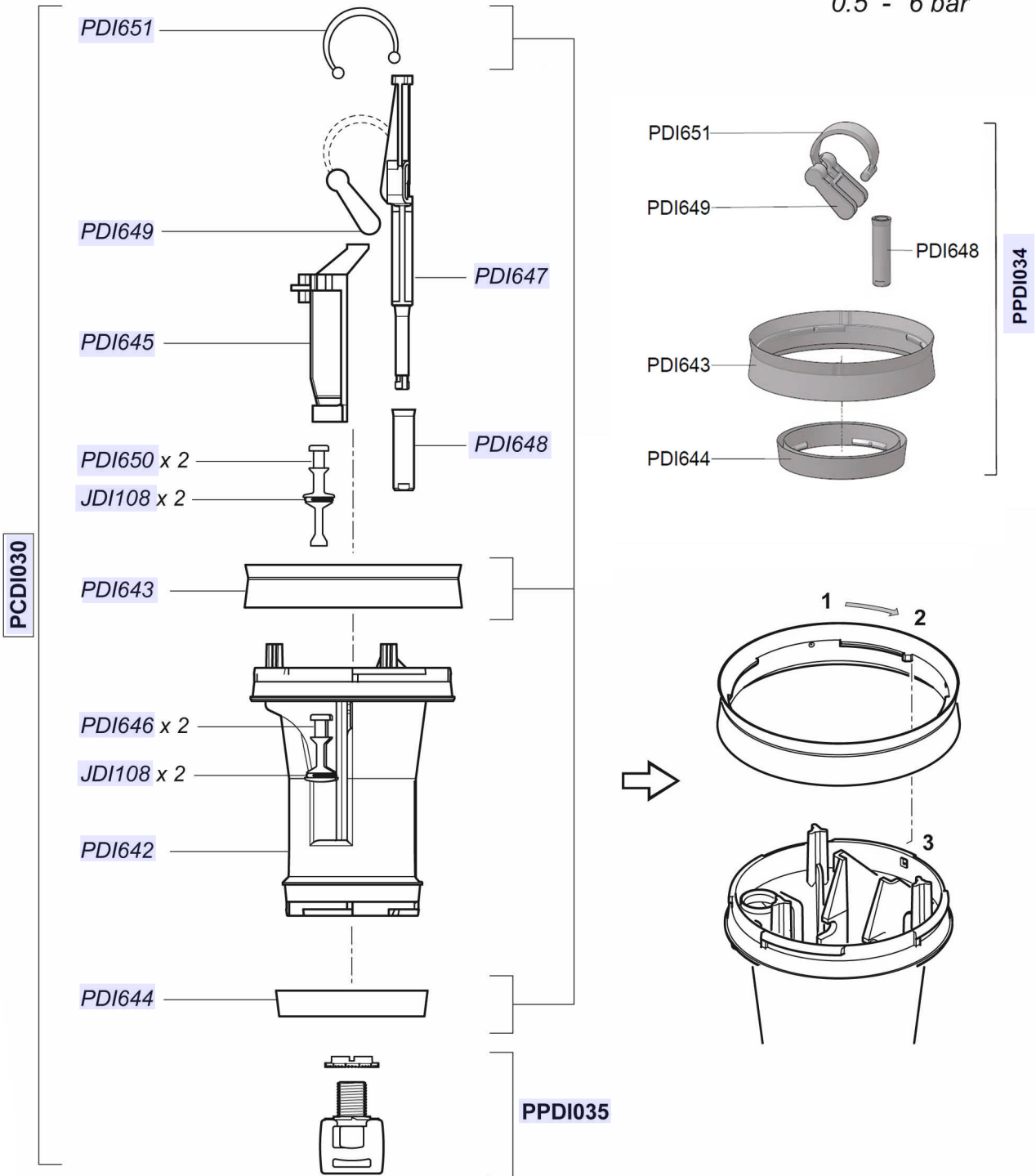
D14MZ10

14 GPM - 1:100 - 1:10
3 m³/h - 1 -10 %
7 - 85 psi
0.5 - 6 bar



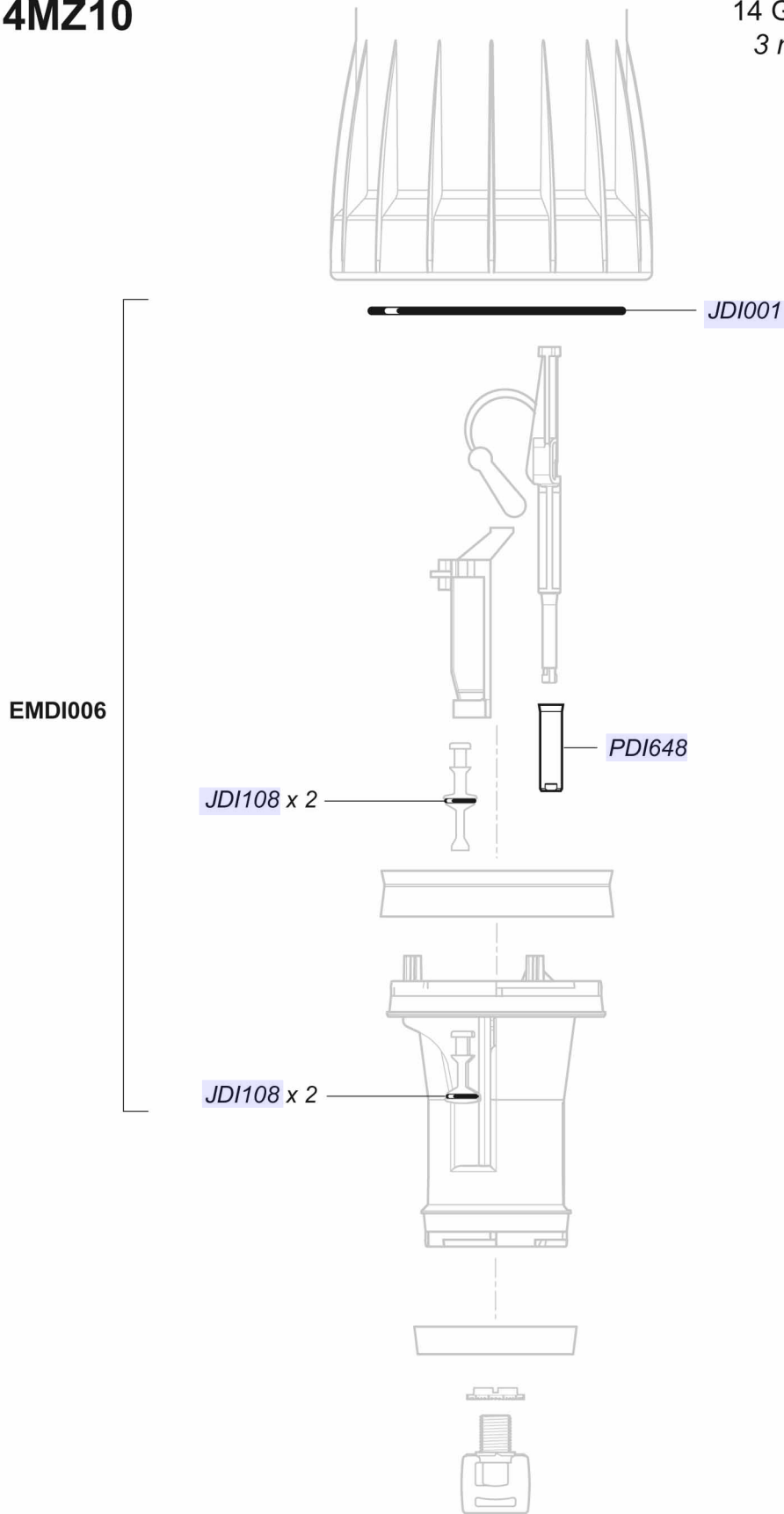
D14MZ10

14 GPM - 1:100 - 1:10
 3 m³/h - 1 -10 %
 7 - 85 psi
 0.5 - 6 bar



D14MZ10

14 GPM - 1:100 - 1:10
3 m³/h - 1 - 10 %
7 - 85 psi
0.5 - 6 bar

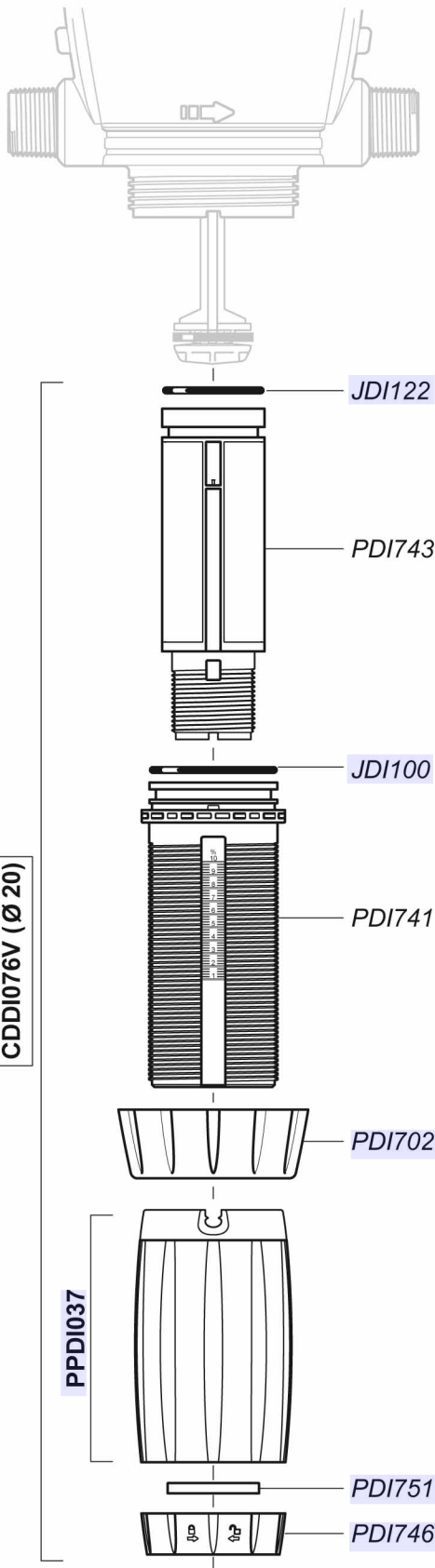


© DOSATRON INTERNATIONAL S.A.S. 2008
D14MZ10/0608/D6



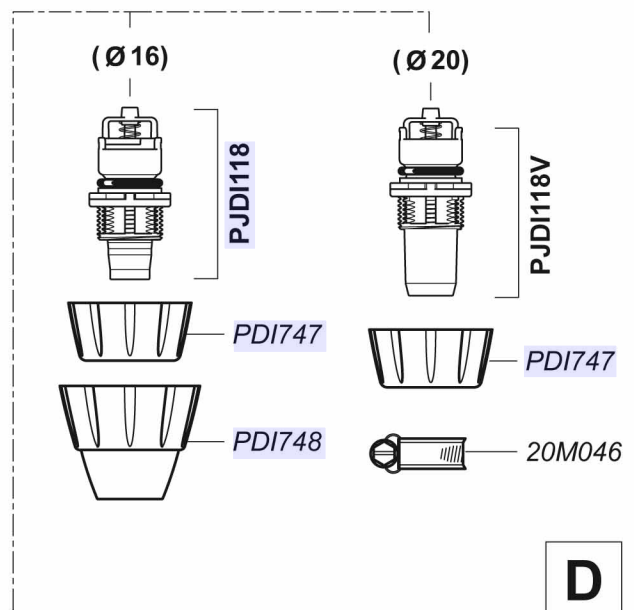
D14MZ10

14 GPM - 1:100 - 1:10
 3 m³/h - 1 - 10 %
 7 - 85 psi
 0.5 - 6 bar



CDDI076 (Ø 16)
 CDDI076V (Ø 20)

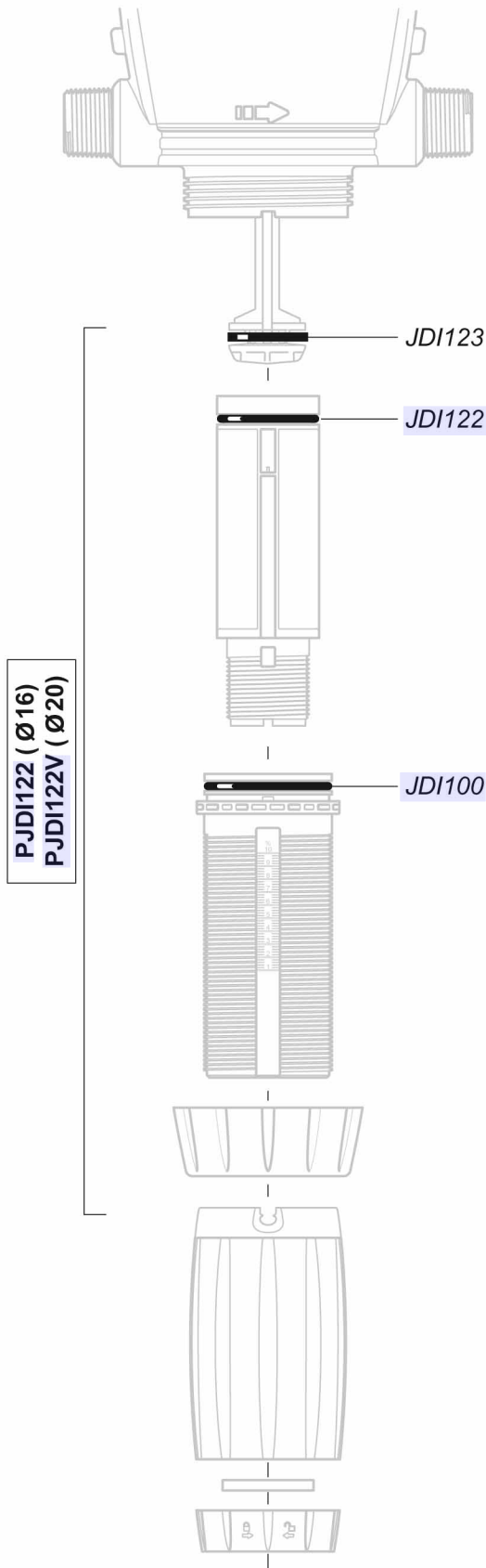
Option "V"



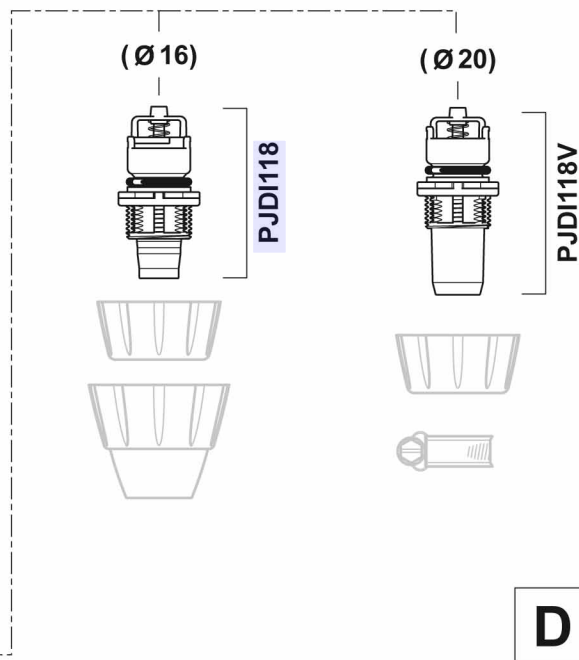
© DOSATRON INTERNATIONAL S.A.S. 2008
 D14MZ10/0608/D7

D14MZ10

14 GPM - 1:100 - 1:10
 3 m³/h - 1 - 10 %
 7 - 85 psi
 0.5 - 6 bar



Option "V"

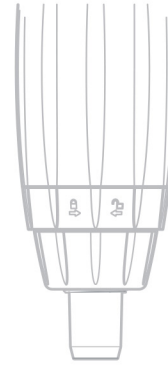
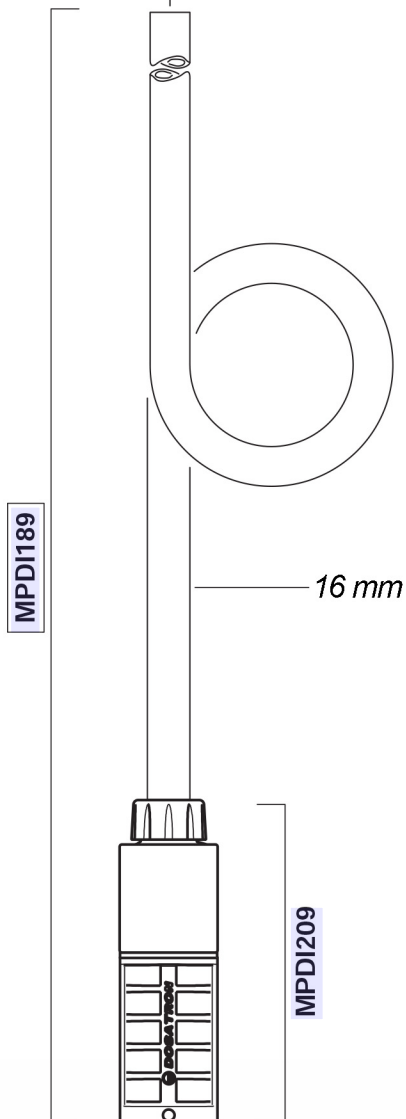


D14MZ10

14 GPM - 1:100 - 1:10
3 m³/h - 1 - 10 %
7 - 85 psi
0.5 - 6 bar



(Ø16)



(Ø20)

Option "V"

