



DOSATRON®

WATER POWERED DOSING TECHNOLOGY



D14MZ520 - 9 GPM

SERIAL # 16290362
TO 18113021

INTERACTIVE SCHEMATICS

UNIT SPECIFICATIONS

- 1:20 - 1:5
- 7 - 57 PSI
- 3/4" NPT Connection

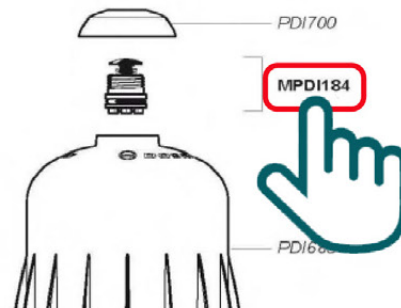
SUGGESTED INSTALLATION

- 200 mesh/80 micron water filter prior to the unit
- One-way check valve down-stream from the unit for water hammer protection

SUGGESTED MAINTENANCE

- Injection Seal Kit
Part #: [PJD1199](#)
For yearly maintenance

DOCUMENT INSTRUCTIONS



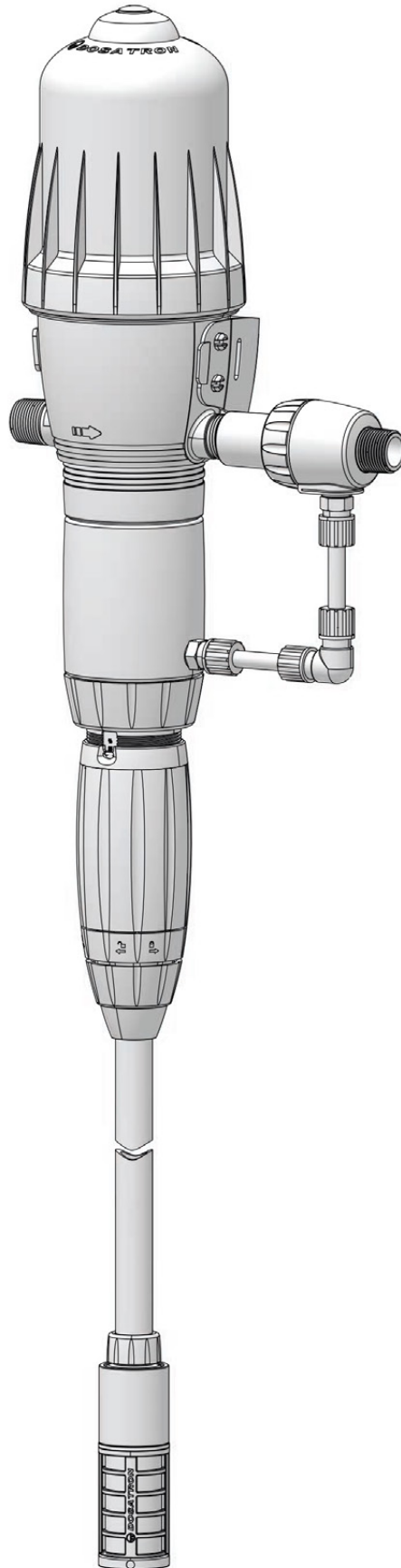
- Click on a part #, to visit item page
- Click arrow back from item page, to return to this document



D14MZ520

For serial #s 16290363
up to # 18113021

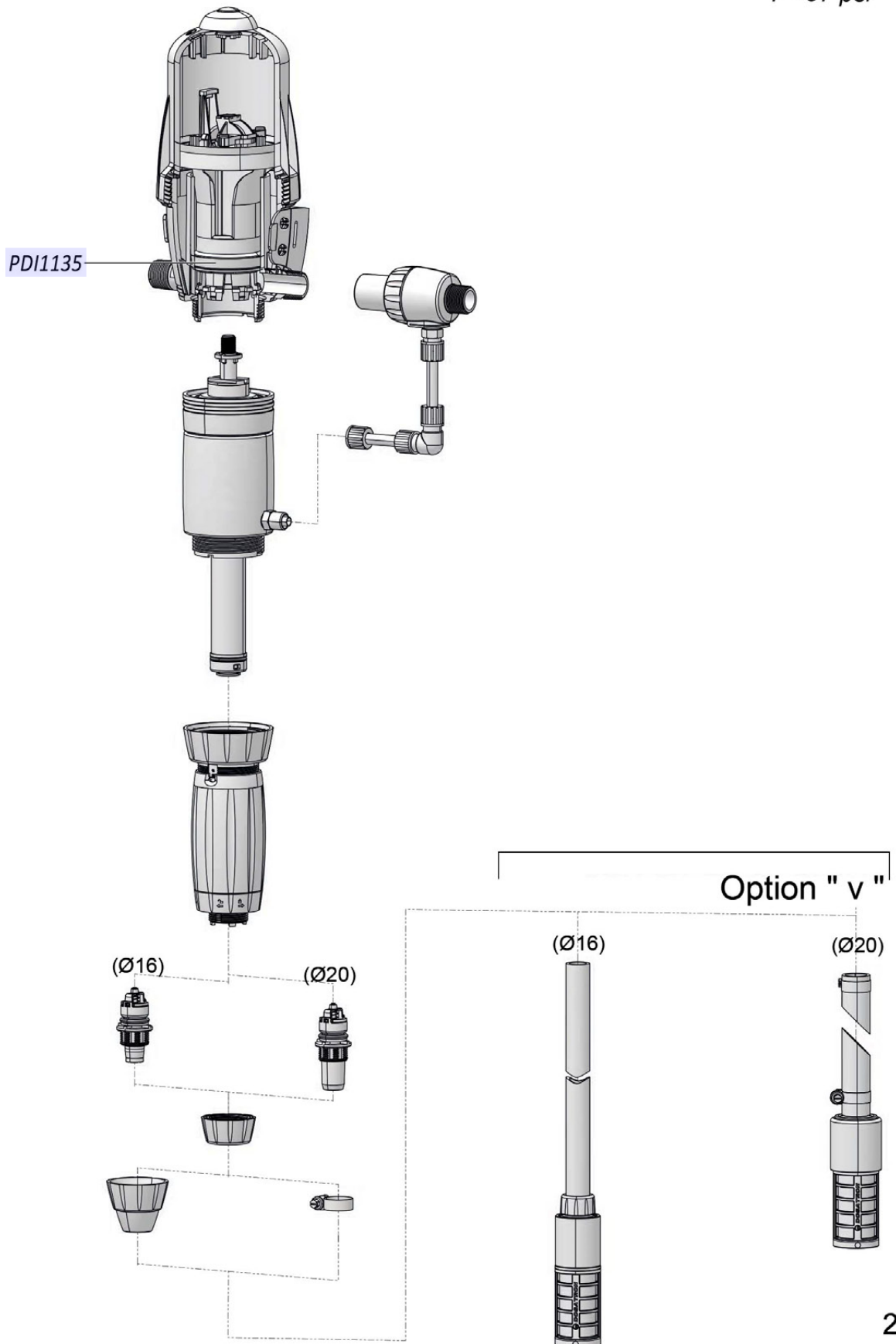
2 m³/h - 5 - 20%
9 GPM - 1:20 - 1:4
0.5 - 4 bar
7 - 57 psi



D14MZ520

For serial #s 16290363
up to # 18113021

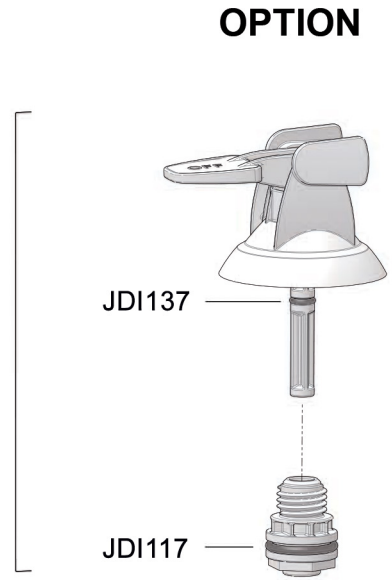
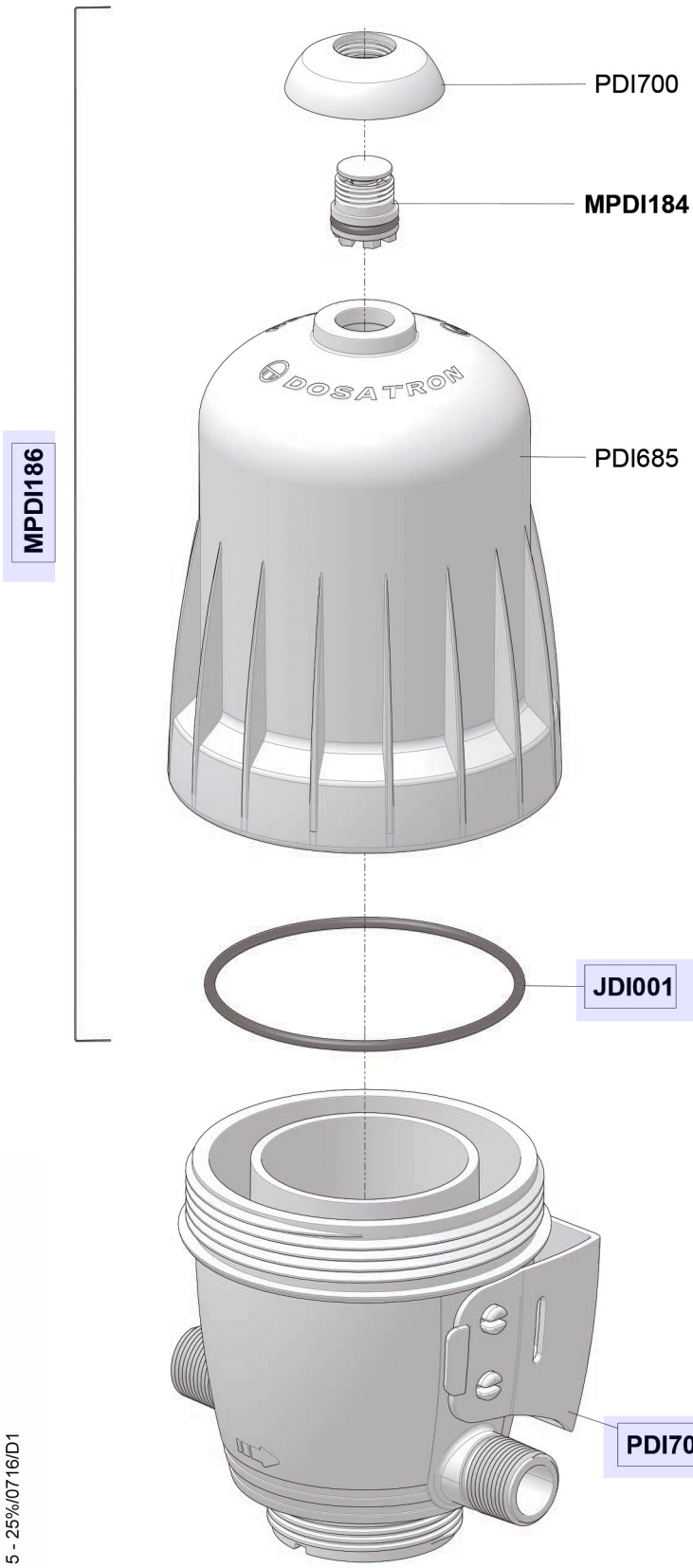
2 m³/h - 5 - 20%
9 GPM - 1:20 - 1:4
0.5 - 4 bar
7 - 57 psi



D14MZ520

For serial #s 16290363
up to # 18113021

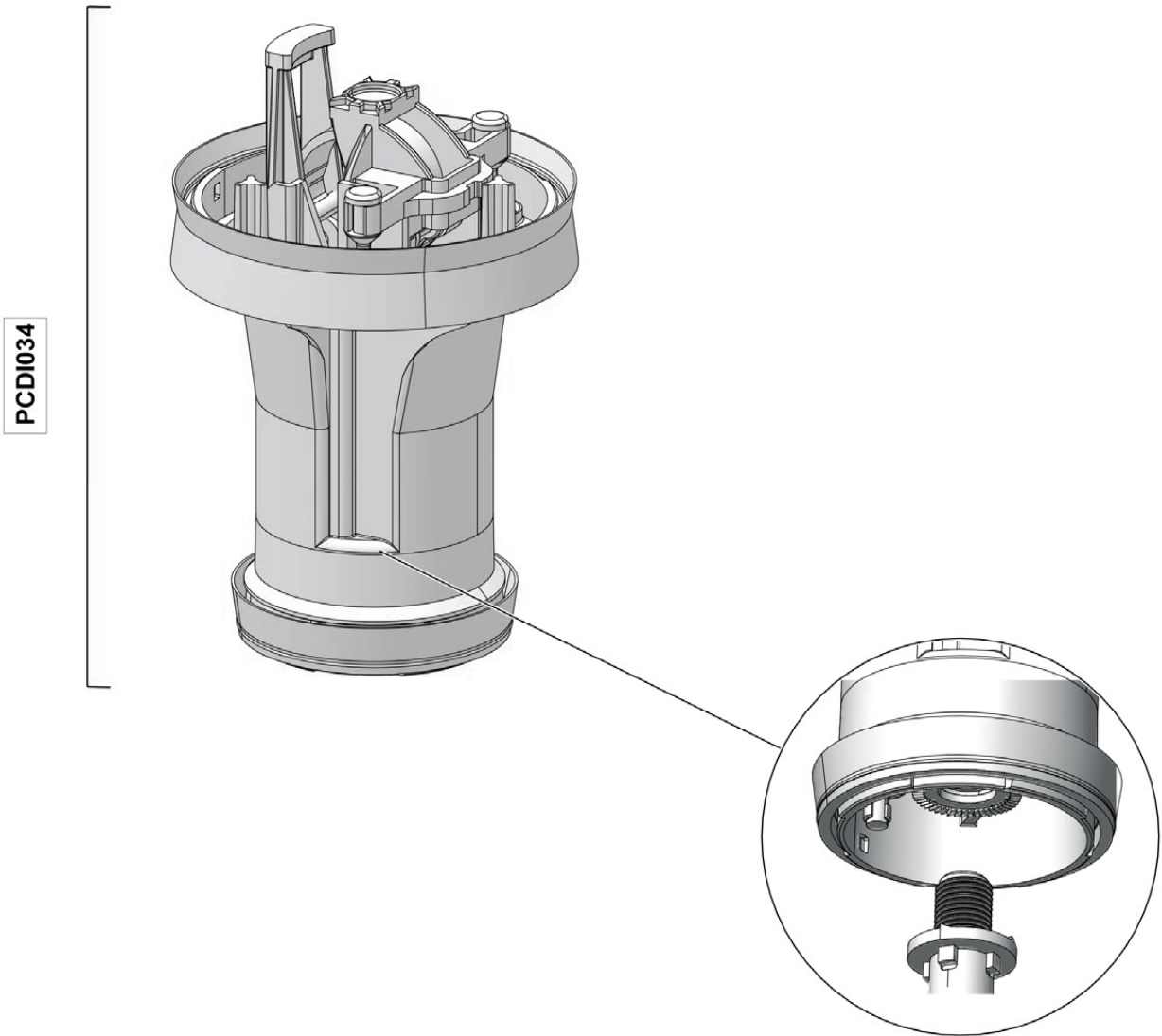
2 m³/h - 5 - 20%
9 GPM - 1:20 - 1:4
0.5 - 4 bar
7 - 57 psi



D14MZ520

For serial #s 16290363
up to # 18113021

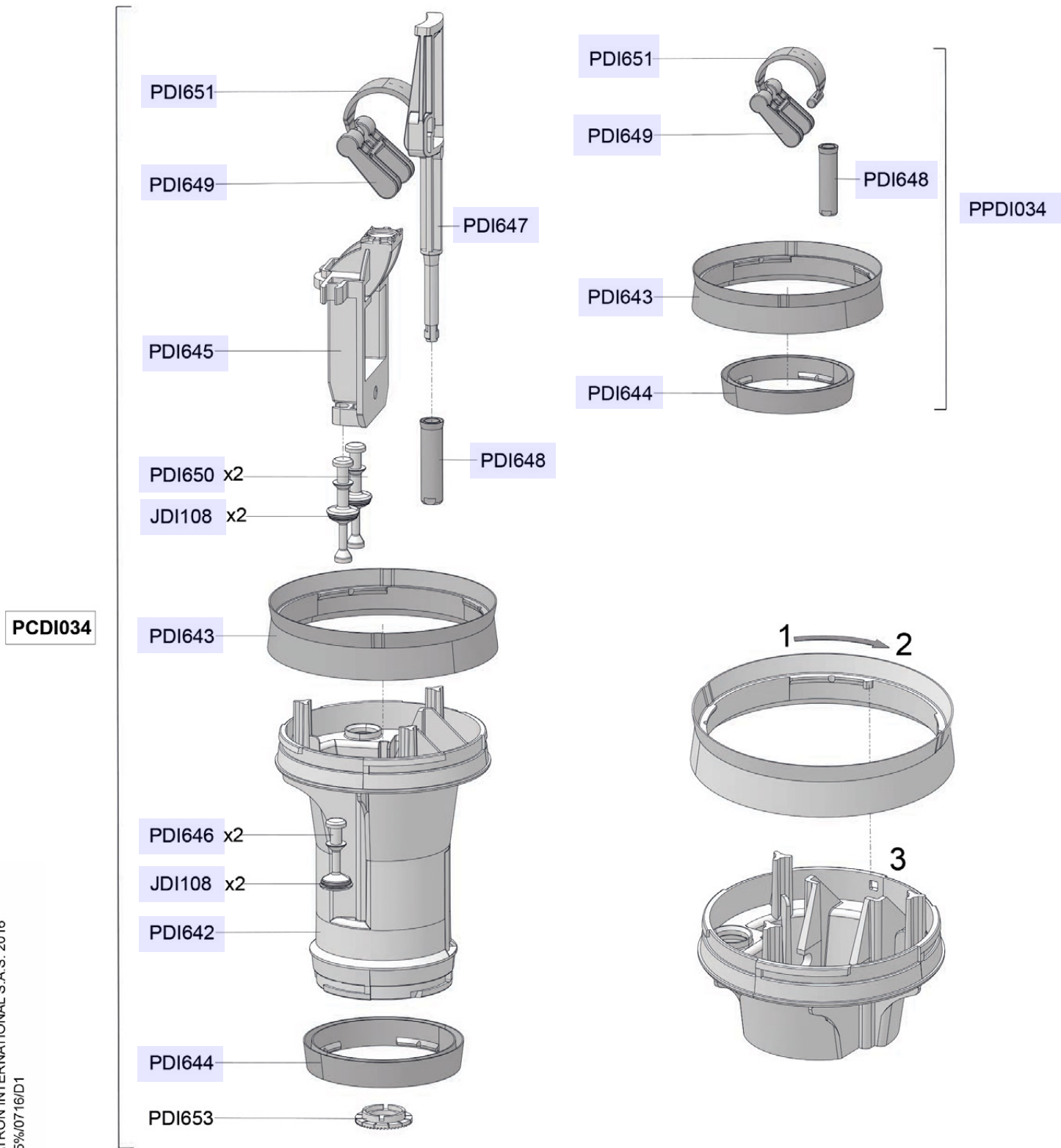
2 m³/h - 5 - 20%
9 GPM - 1:20 - 1:4
0.5 - 4 bar
7 - 57 psi



D14MZ520

For serial #s 16290363
up to # 18113021

2 m³/h - 5 - 20%
9 GPM - 1:20 - 1:4
0.5 - 4 bar
7 - 57 psi

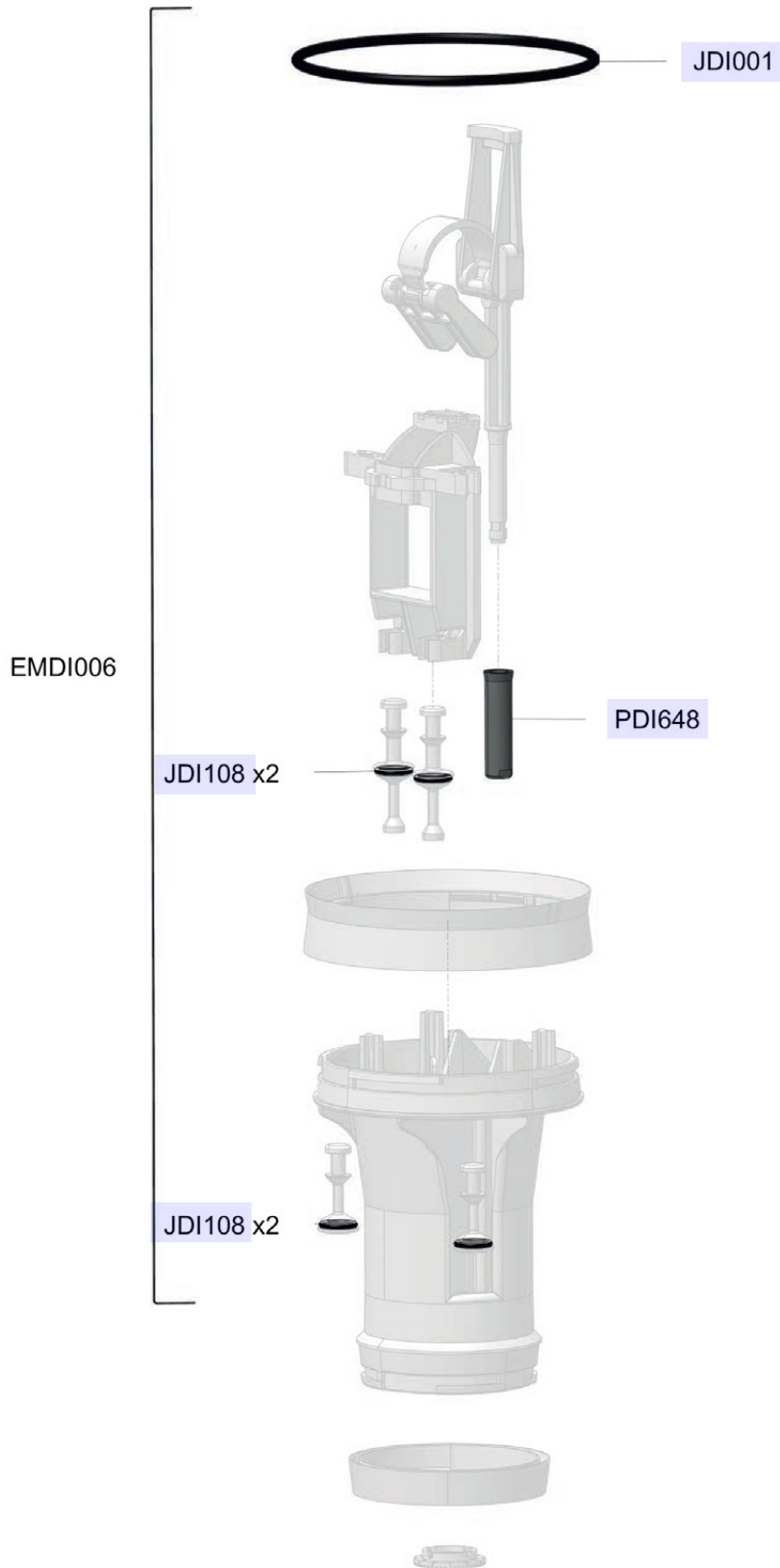


© DOSATRON INTERNATIONAL S.A.S. 2016
D3 5 - 25%/0716/D1

D14MZ520

For serial #s 16290363
up to # 18113021

2 m³/h - 5 - 20%
9 GPM - 1:20 - 1:4
0.5 - 4 bar
7 - 57 psi



D14MZ520

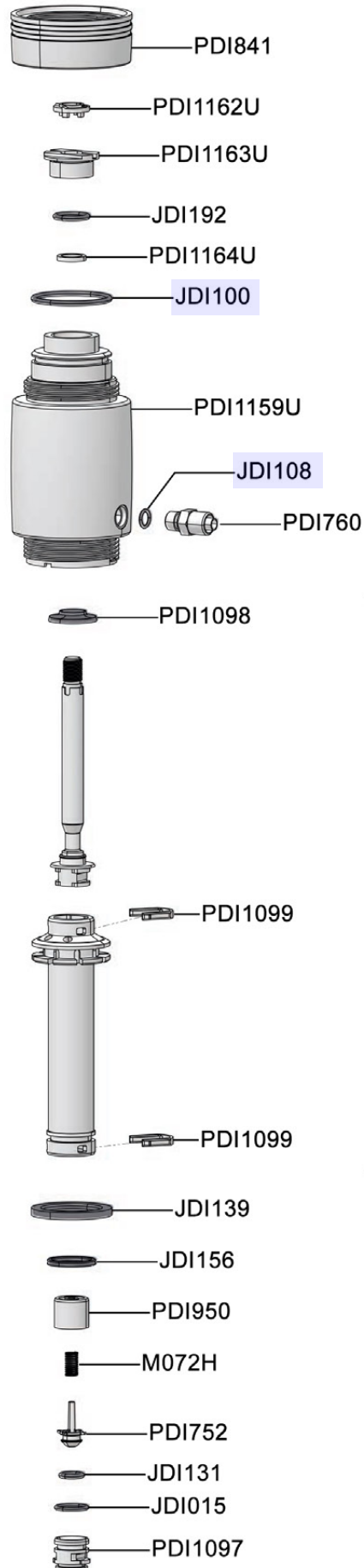
For serial #s 16290363
up to # 18113021

2 m³/h - 5 - 20%
9 GPM - 1:20 - 1:4
0.5 - 4 bar
7 - 57 psi

Plunger Assembly
for units with serial
number 16290363
up to 18113021

PJDI198

PPDI064

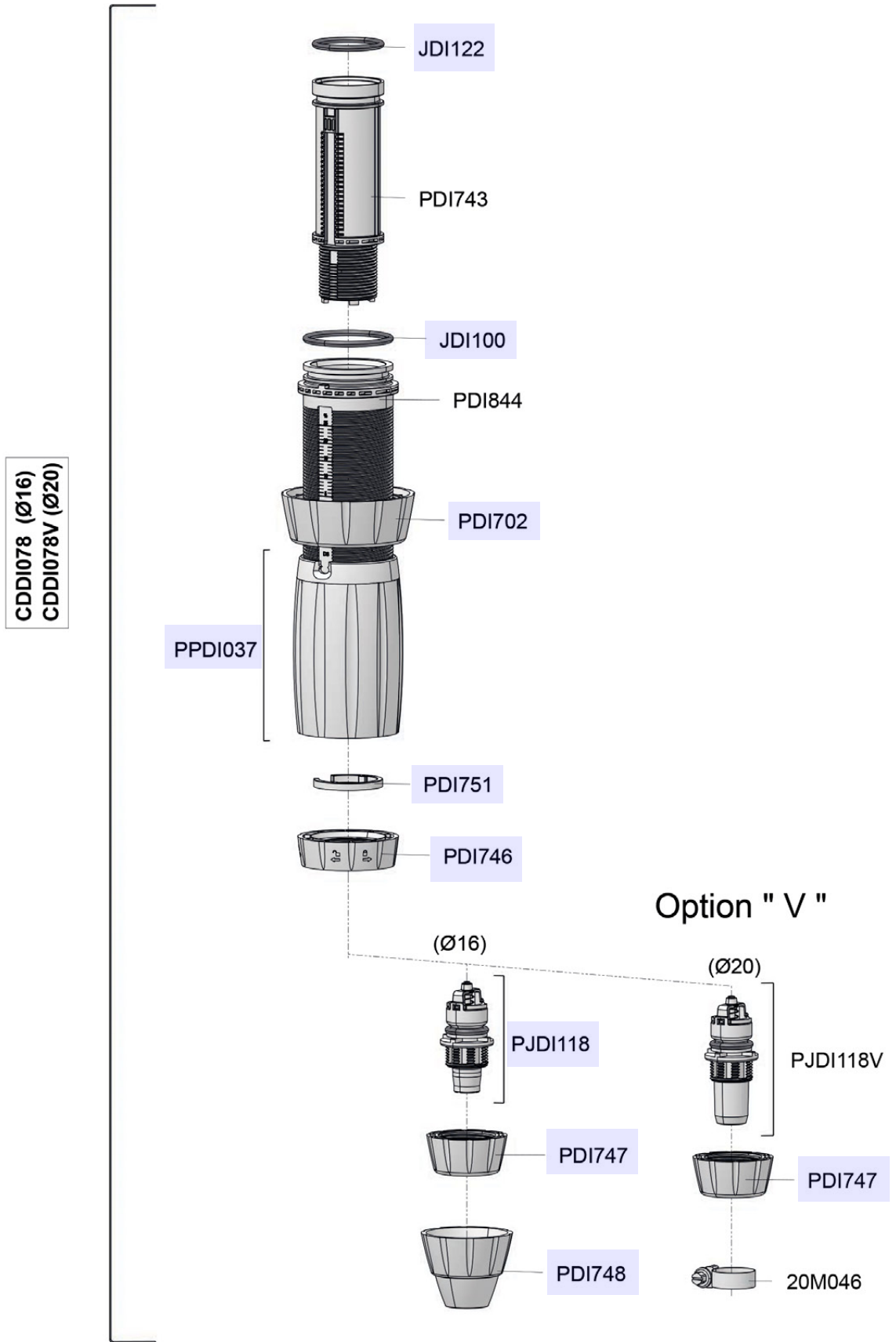


D14MZ520

For serial #s 16290363
up to # 18113021

2 m³/h - 5 - 20%
9 GPM - 1:20 - 1:4
0.5 - 4 bar
7 - 57 psi

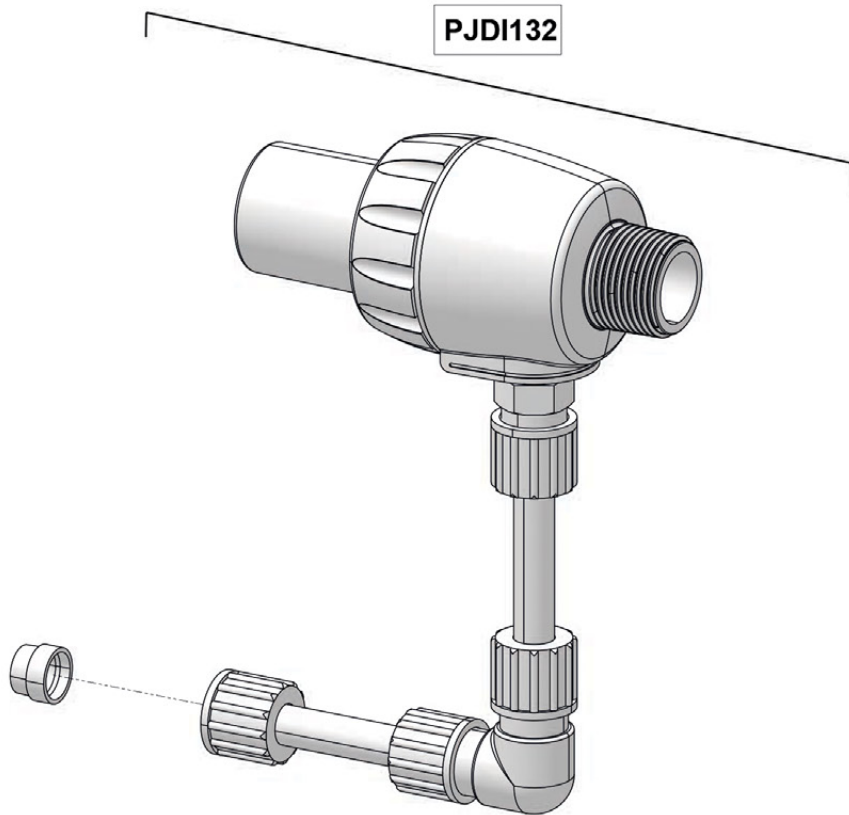
Injection Stem Assembly



D14MZ520

For serial #s 16290363
up to # 18113021

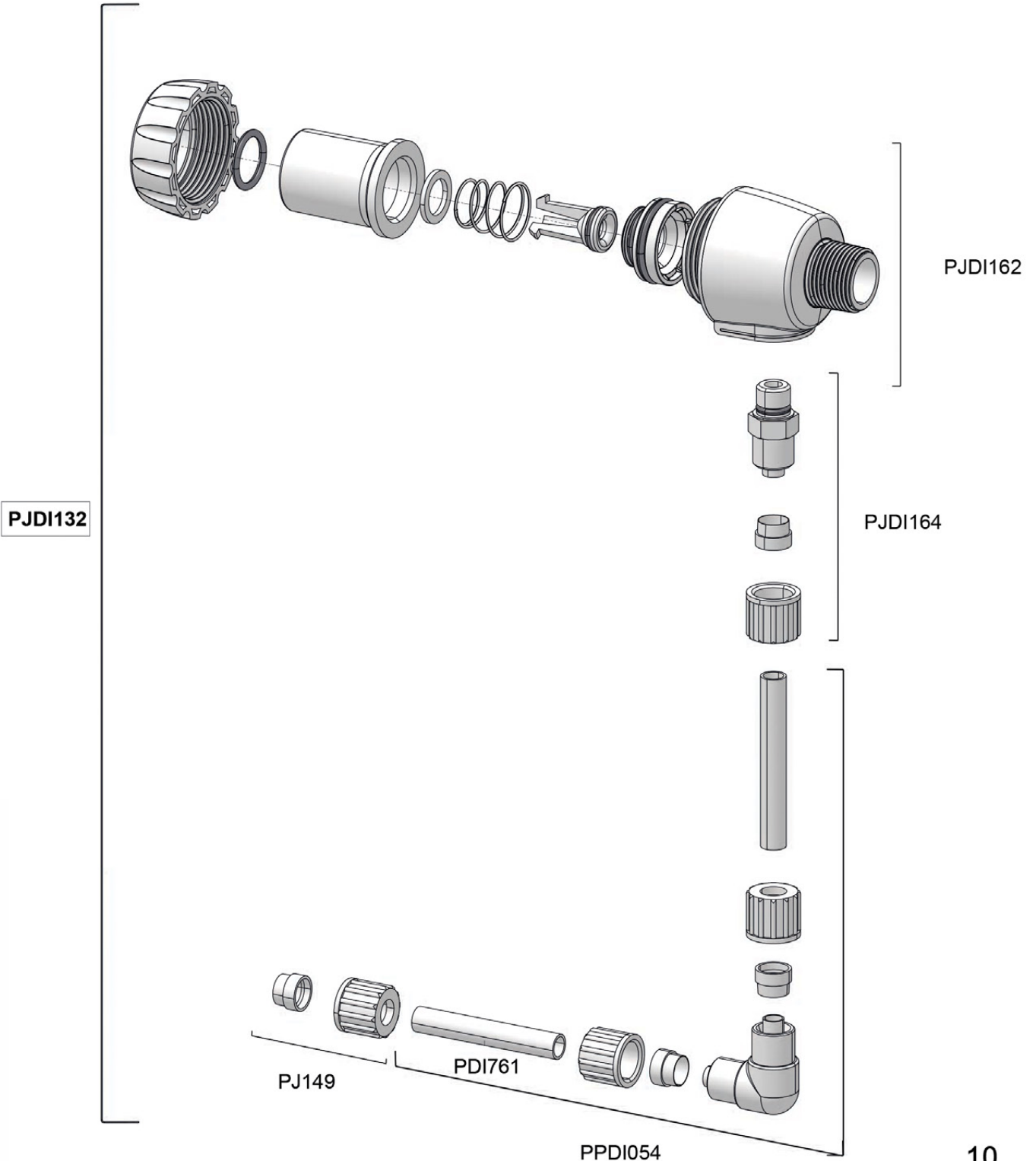
2 m³/h - 5 - 20%
9 GPM - 1:20 - 1:4
0.5 - 4 bar
7 - 57 psi



D14MZ520

For serial #s 16290363
up to # 18113021

2 m³/h - 5 - 20%
9 GPM - 1:20 - 1:4
0.5 - 4 bar
7 - 57 psi



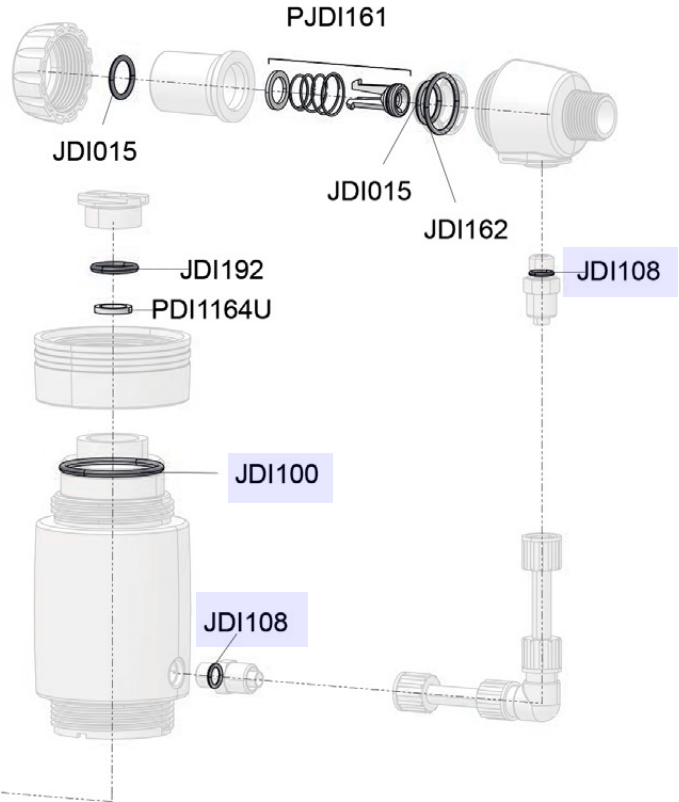
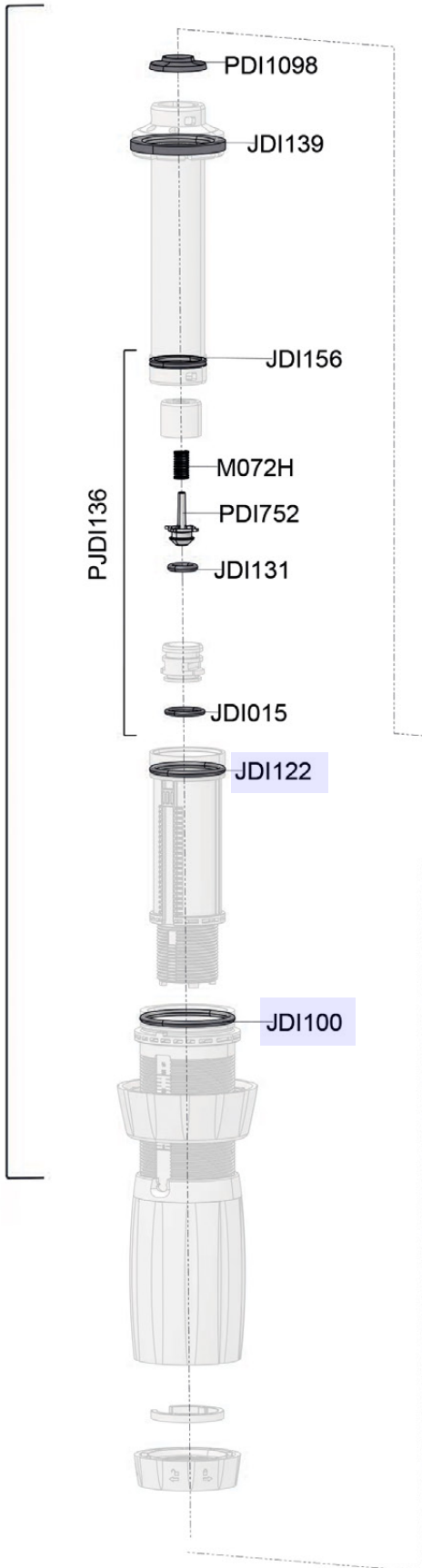
© DOSATRON INTERNATIONAL S.A.S. 2016
D3 5 - 25%/0716/D1

D14MZ520

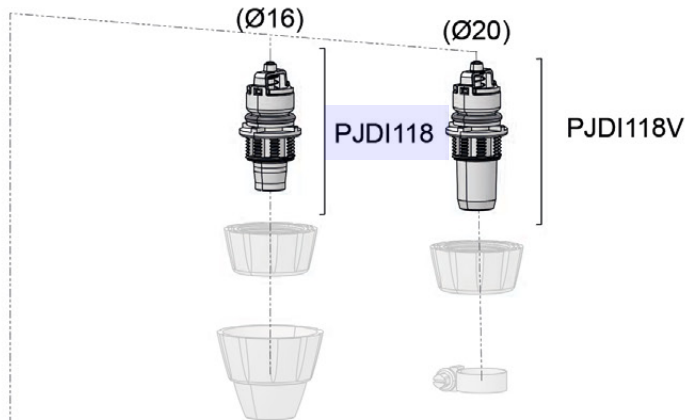
For serial #s 16290363
up to # 18113021

2 m³/h - 5 - 20%
9 GPM - 1:20 - 1:4
0.5 - 4 bar
7 - 57 psi

PJDI199(Ø16)
PJDI199V(Ø20)



Option " V "



NEW Style Seal Kit for units with serial #s 16290363 and over

D14MZ520

For serial #s 16290363
up to # 18113021

2 m³/h - 5 - 20%
9 GPM - 1:20 - 1:4
0.5 - 4 bar
7 - 57 psi

