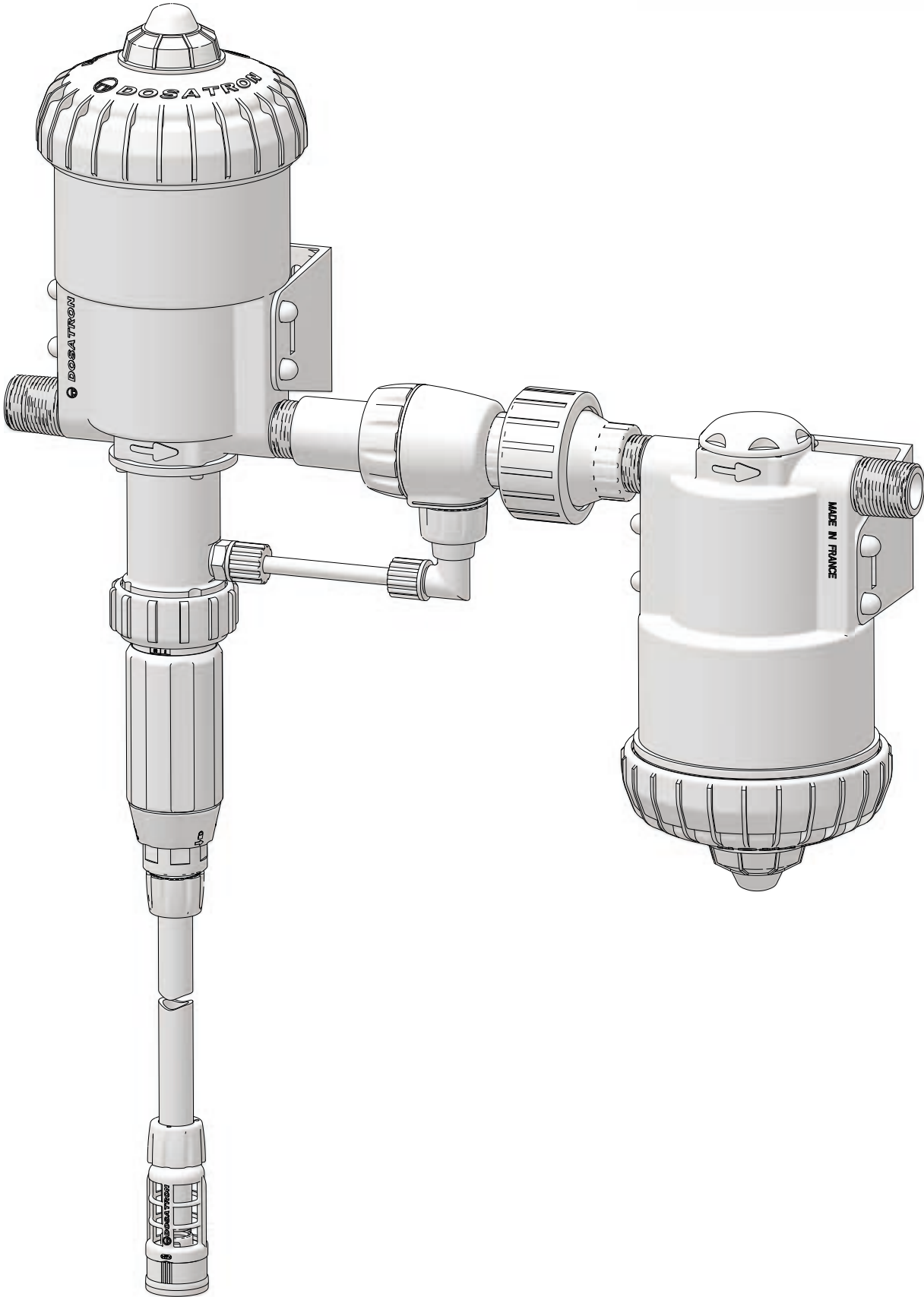


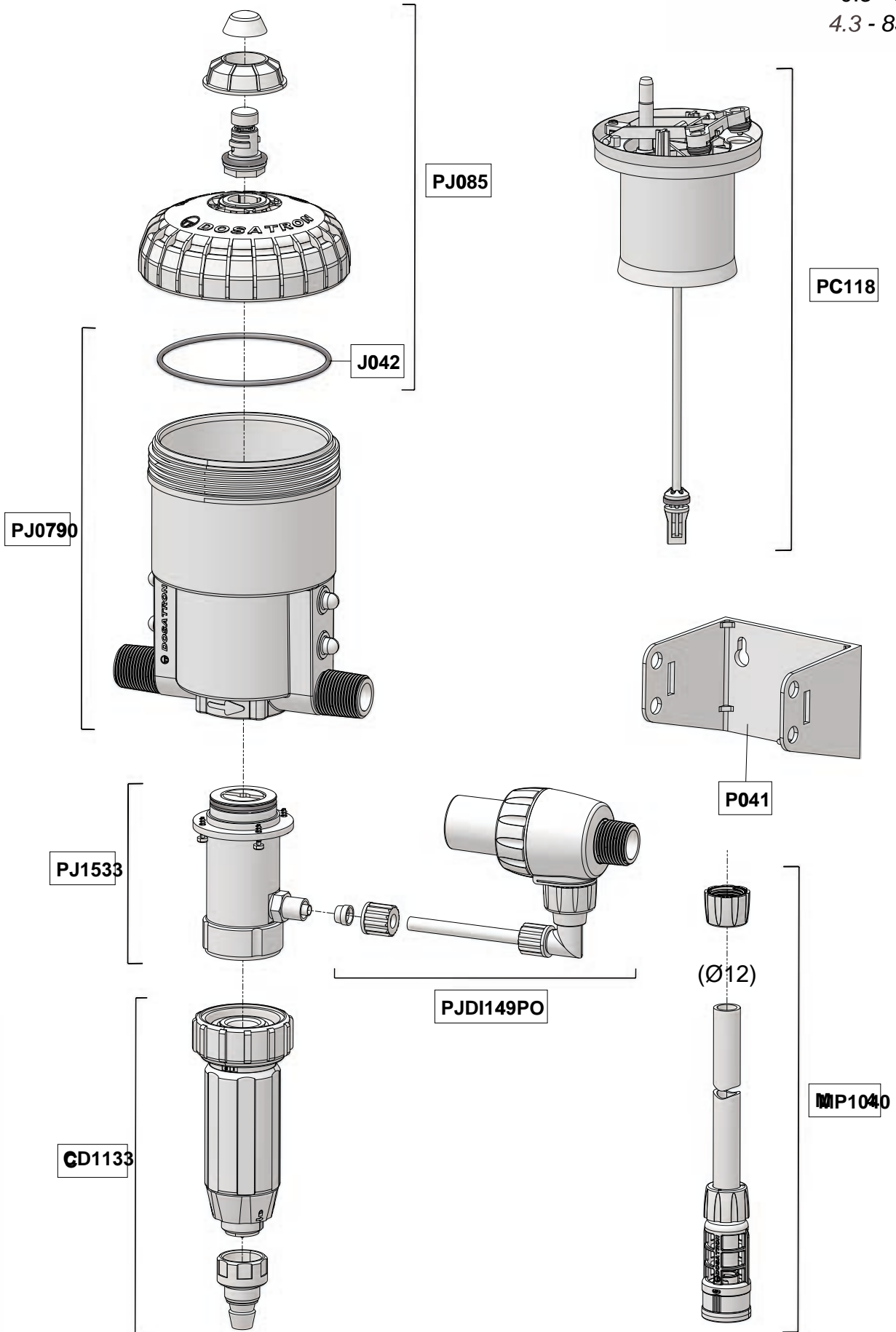
PU1D25WL2IEPO

2.5 m³/h
11 GPM
0.3 - 6 bar
4.3 - 85 psi



D25WL2IEPO

2.5 m³/h - 0.2 - 2%
11 GPM - 1:500 - 1:50
0.3 - 6 bar
4.3 - 85 psi

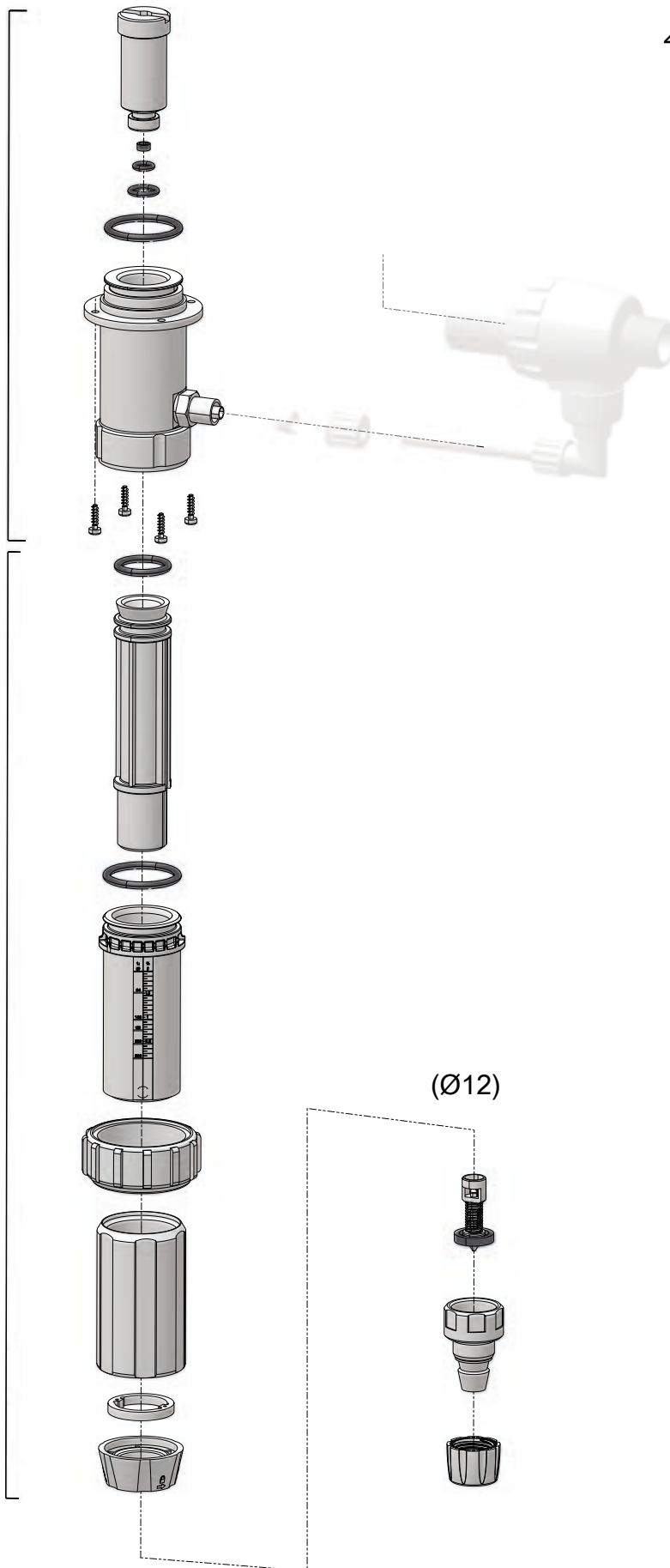


D25WL2IEPO

2.5 m³/h - 0.2 - 2%
11 GPM - 1:500 - 1:50
0.3 - 6 bar
4.3 - 85 psi

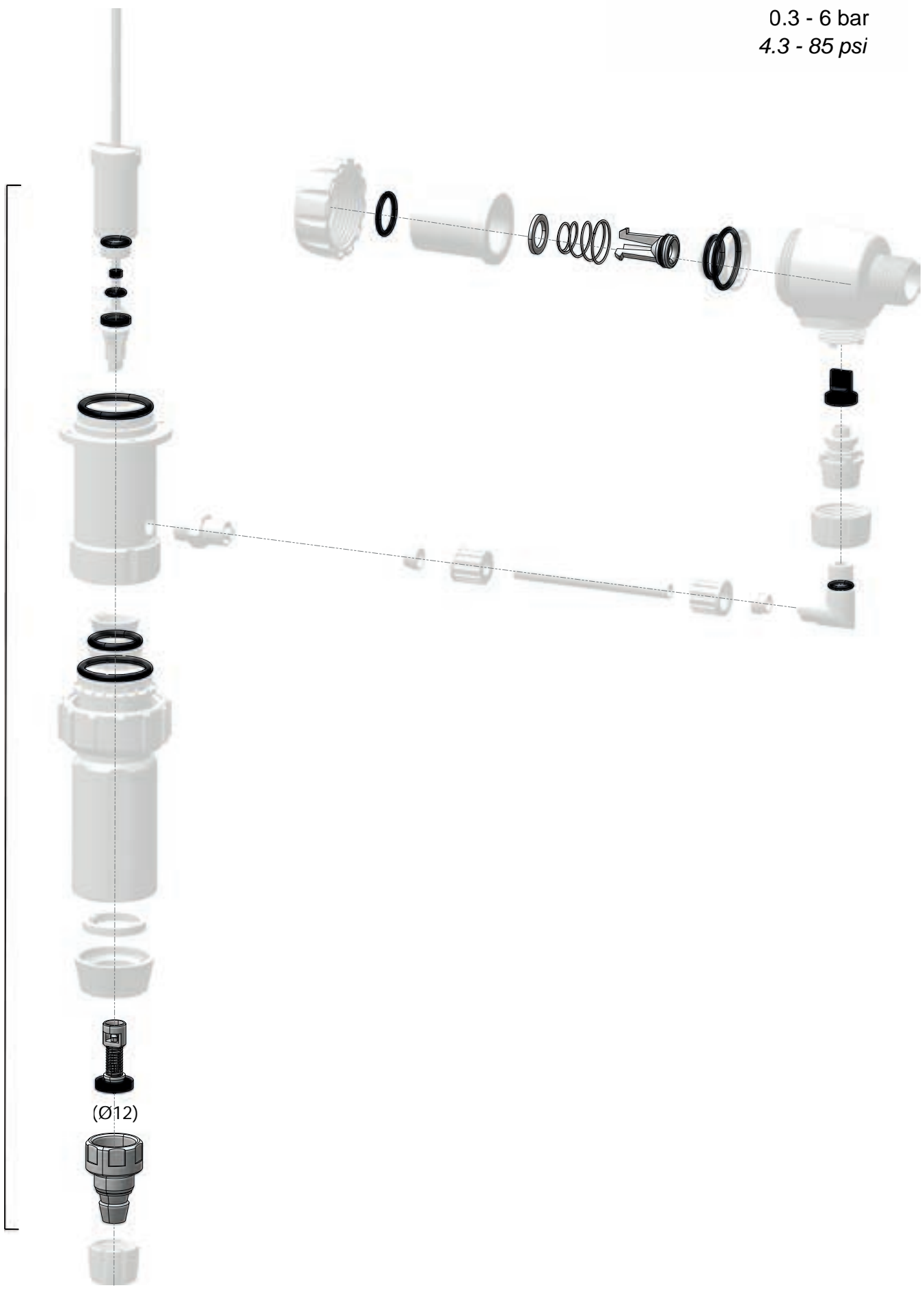
PJ1533

CD1133



D25WL2IEPO

2.5 m³/h - 0.2 - 2%
11 GPM - 1:500 - 1:50
0.3 - 6 bar
4.3 - 85 psi



PJ158

DMIX25

2.5 m³/h
11 GPM
0.3 - 6 bar
4.3 - 85 psi

