



DOSATRON®

WATER POWERED DOSING TECHNOLOGY



D07RE5 - 3 GPM INTERACTIVE SCHEMATICS

UNIT SPECIFICATIONS

- 1:128 - 1:18
- 4.3 - 85 PSI
- 3/4" NPT Connection

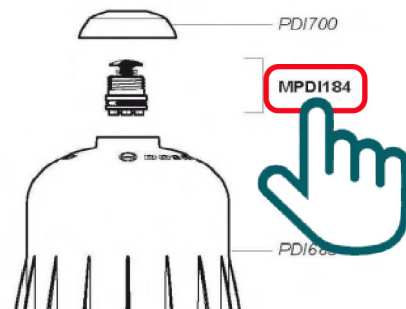
SUGGESTED INSTALLATION

- 200 mesh/80 micron water filter prior to the unit
- One-way check valve down-stream from the unit for water hammer protection

SUGGESTED MAINTENANCE

- Injection Seal Kit
Part #: [PJDI095](#)
For yearly maintenance

DOCUMENT INSTRUCTIONS

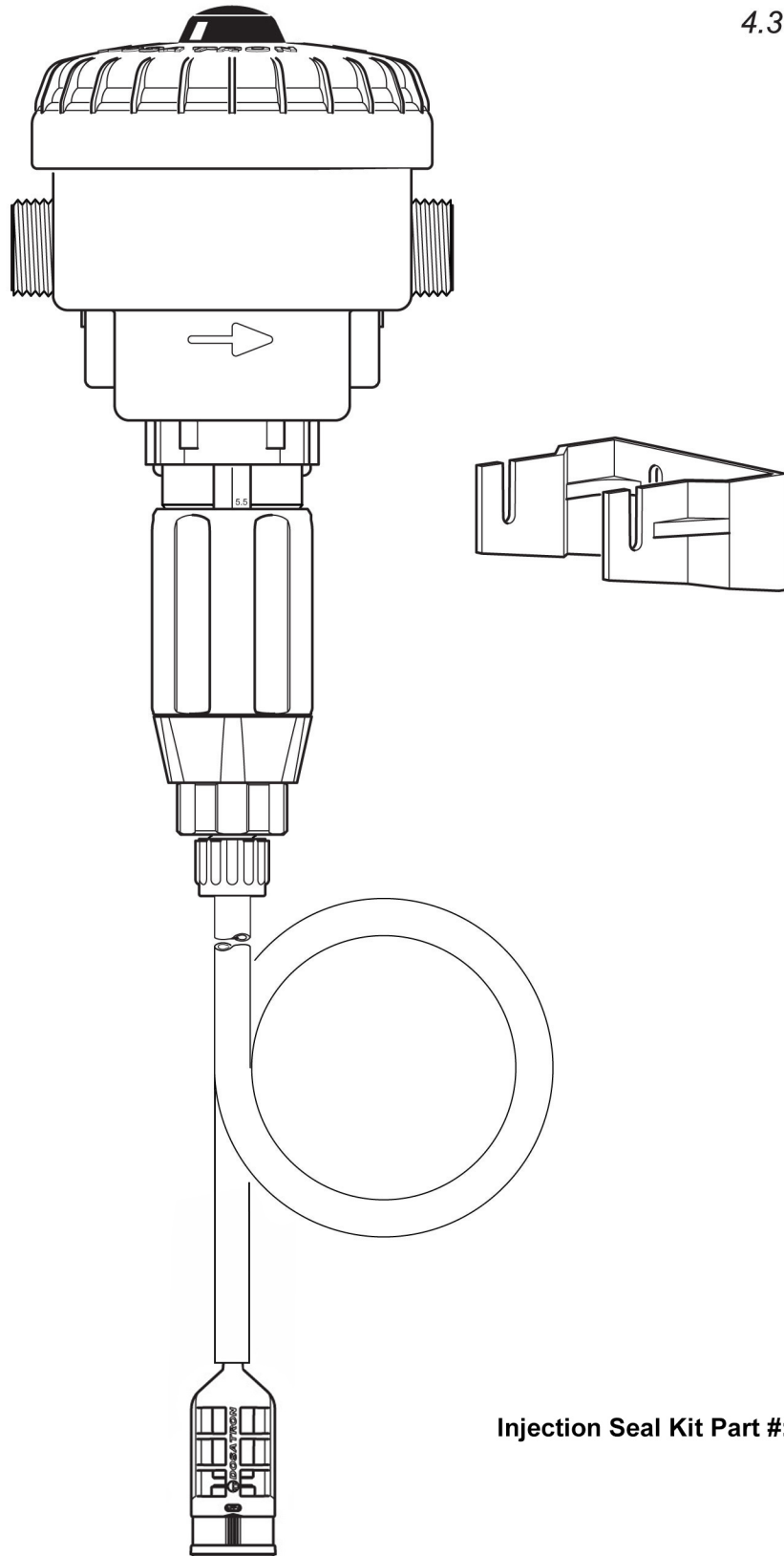


- Click on a part #, to visit item page
- Click arrow back from item page, to return to this document



D07RE5

0.7 m³/h - 0.8 - 5.5 %
3 GPM - 1:128 - 1:18
0.3 - 6 bar
4.3 - 85 psi

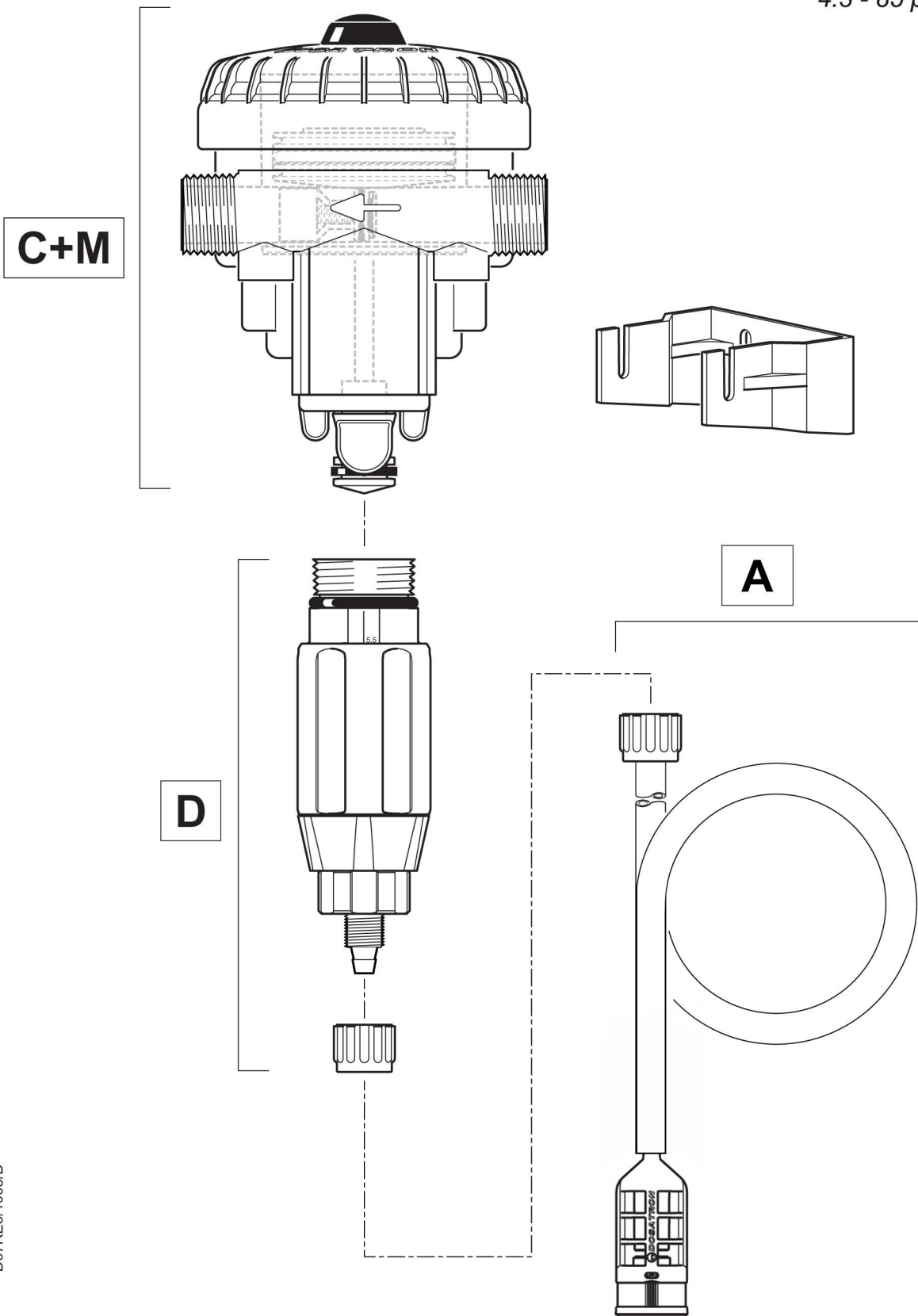


D07RE5/1005/D

Injection Seal Kit Part #: PJD1095

D07RE5

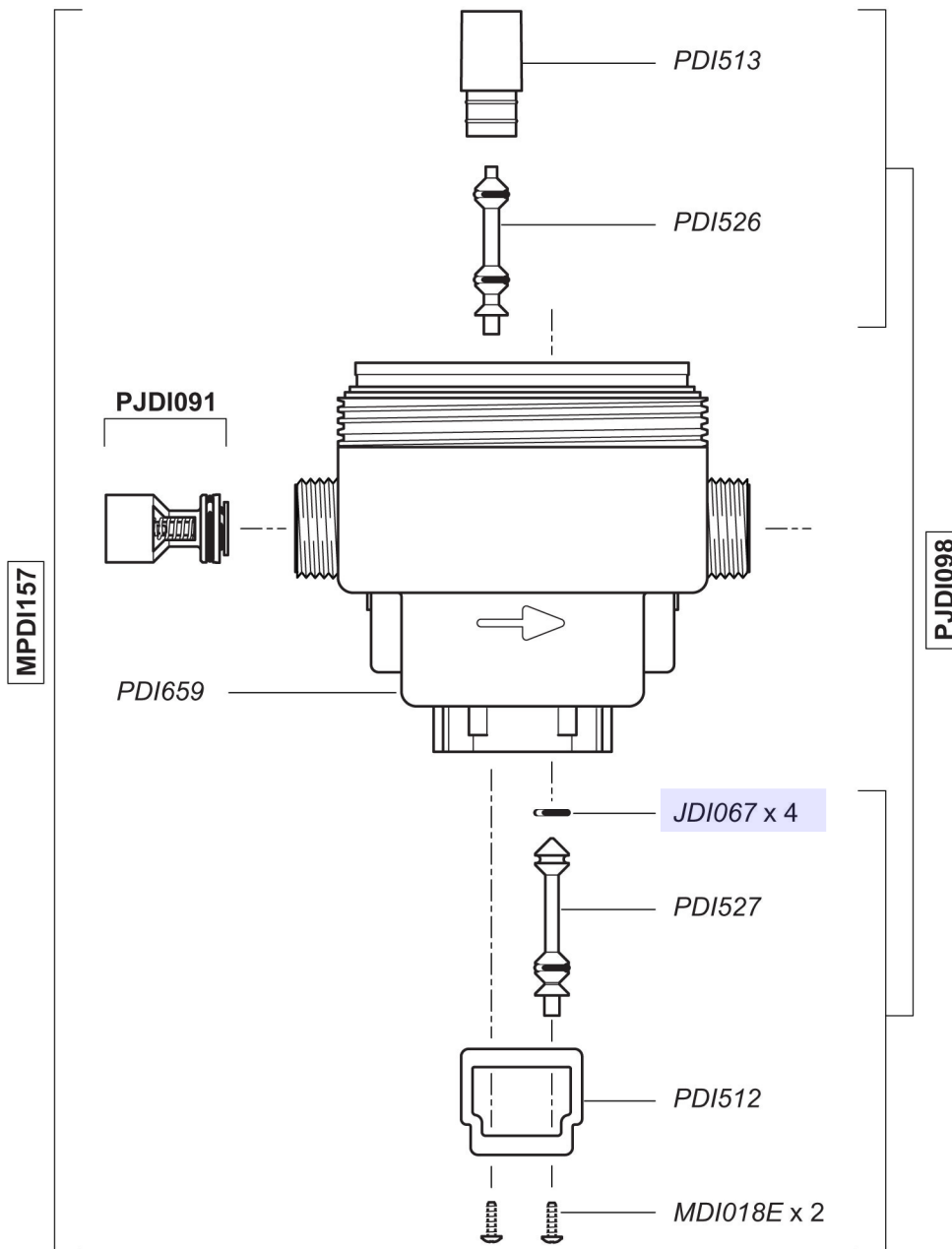
0.7 m³/h - 0.8 - 5.5 %
3 GPM - 1:128 - 1:18
0.3 - 6 bar
4.3 - 85 psi



D07RE5/1005/D

D07RE5

0.7 m³/h - 0.8 - 5.5 %
3 GPM - 1:128 - 1:18
0.3 - 6 bar
4.3 - 85 psi

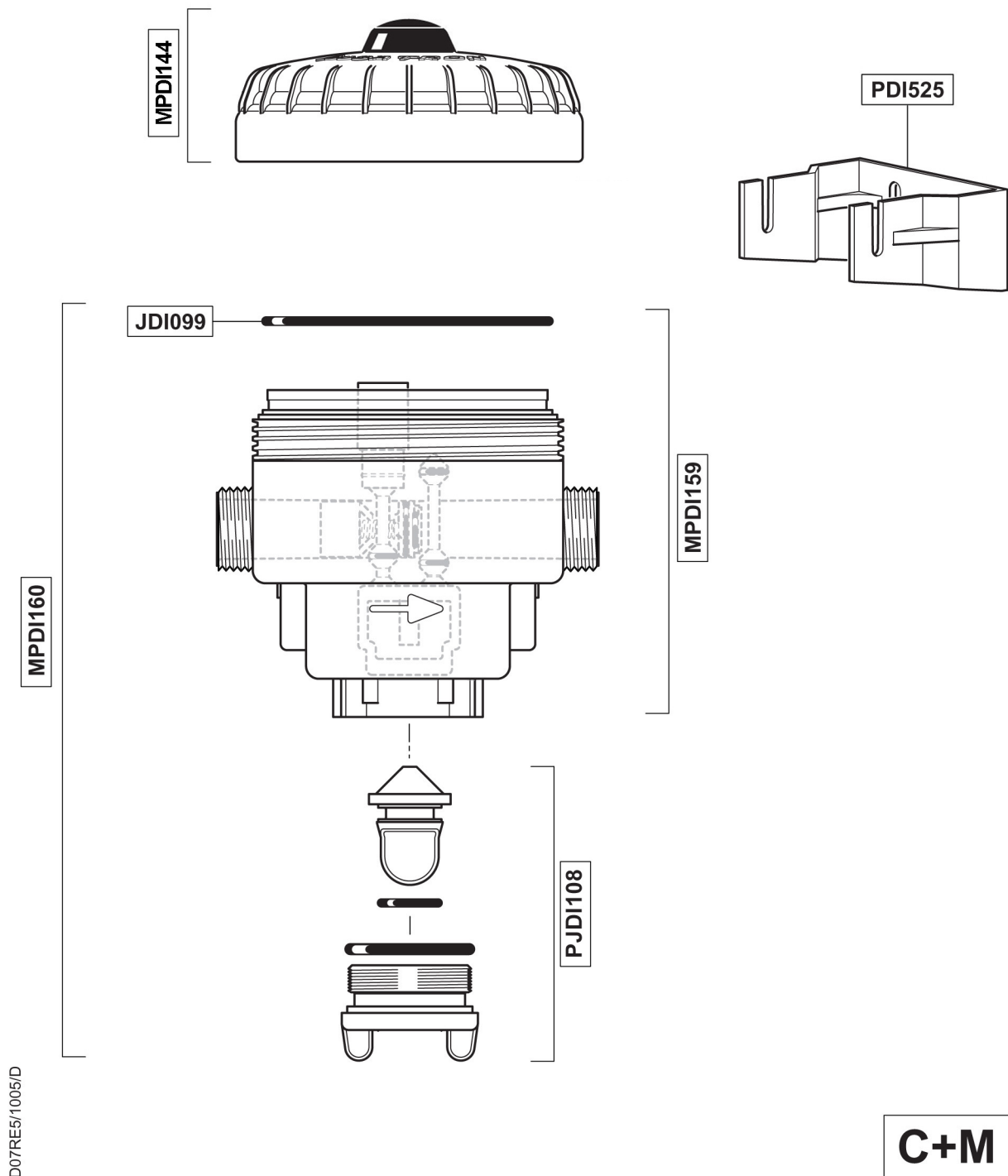


D07RE5/1005/D



D07RE5

0.7 m³/h - 0.8 - 5.5 %
3 GPM - 1:128 - 1:18
0.3 - 6 bar
4.3 - 85 psi

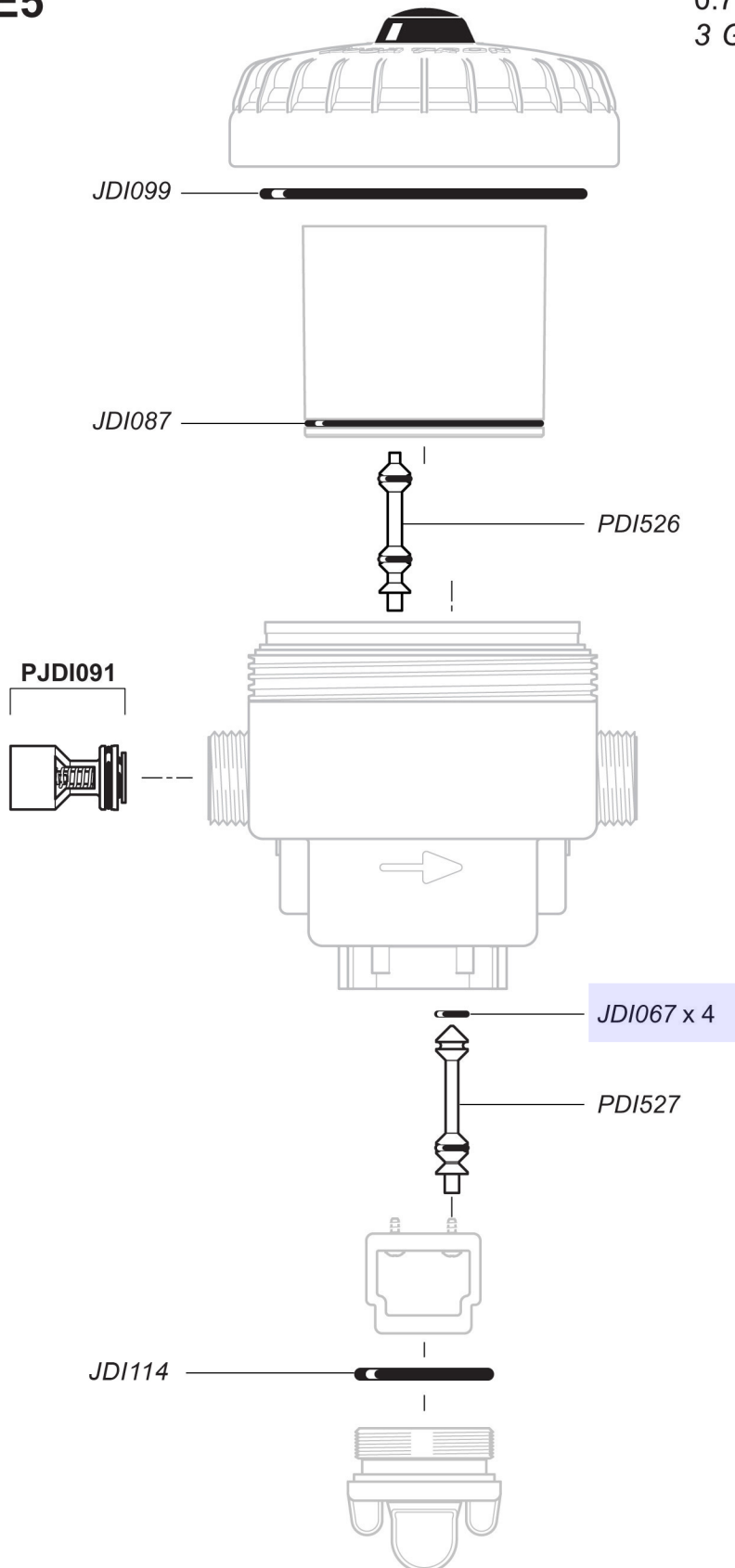


D07RE5/1005/D

C+M

D07RE5

0.7 m³/h - 0.8 - 5.5 %
3 GPM - 1:128 - 1:18
0.3 - 6 bar
4.3 - 85 psi

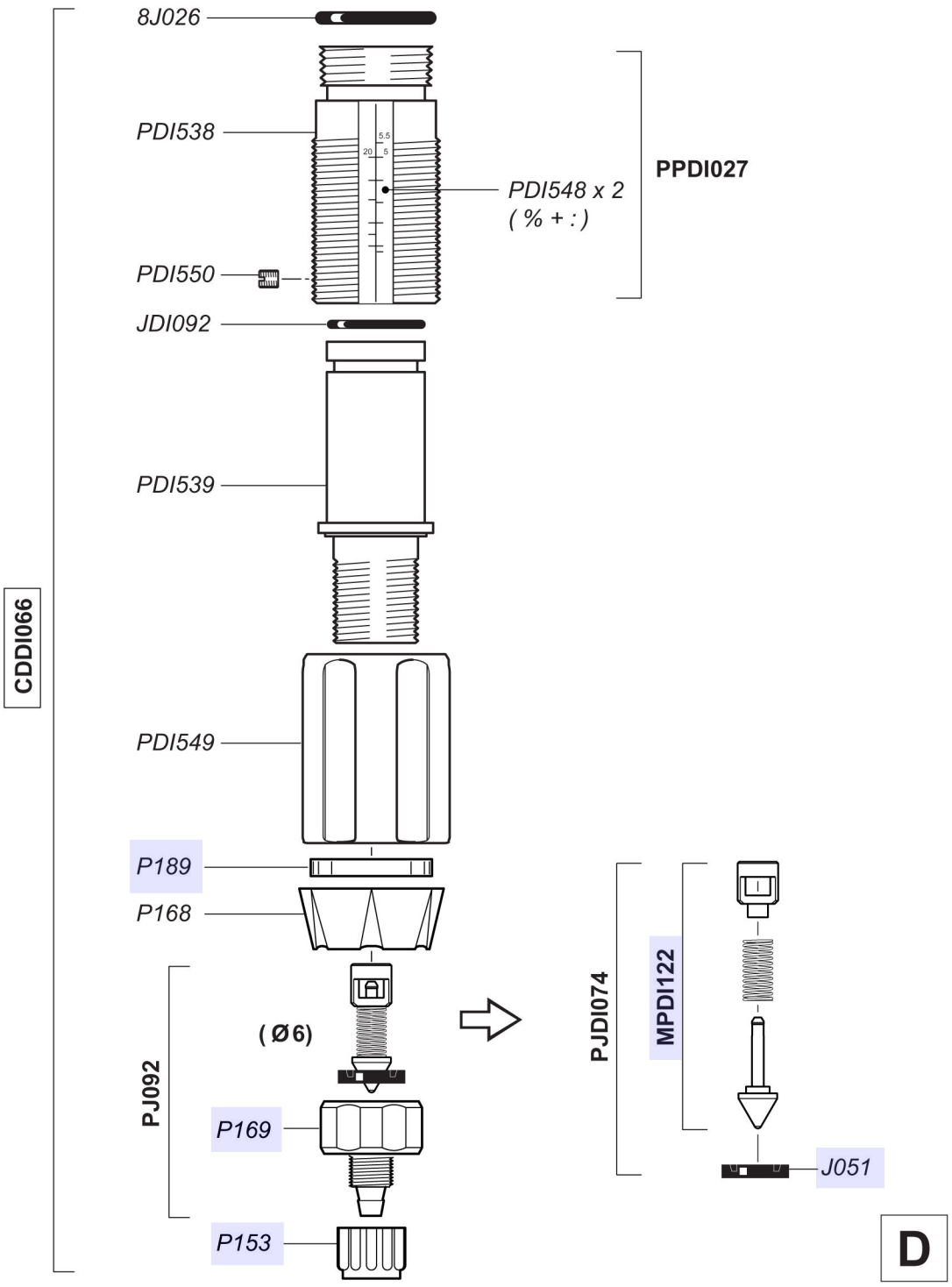
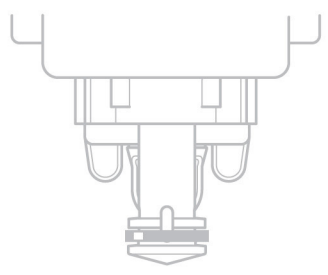


D07RE5/1005/D



D07RE5

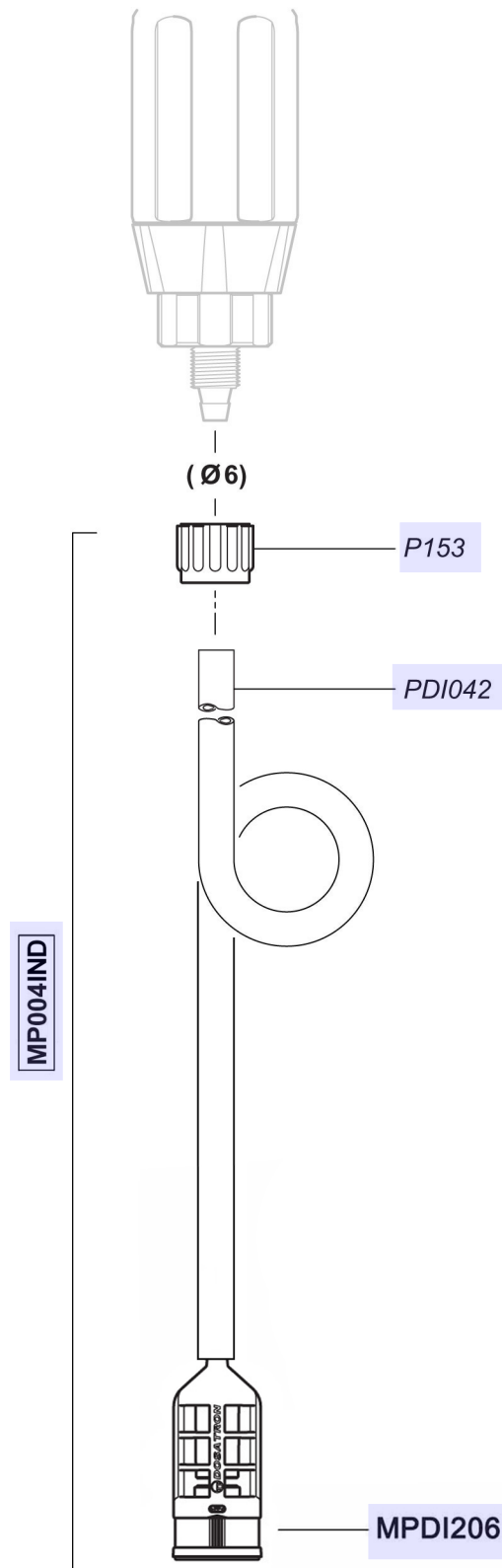
0.7 m³/h - 0.8 - 5.5 %
 3 GPM - 1:128 - 1:18
 0.3 - 6 bar
 4.3 - 85 psi



D07RE5/1005/D

D07RE5

0.7 m³/h - 0.8 - 5.5 %
3 GPM - 1:128 - 1:18
0.3 - 6 bar
4.3 - 85 psi



D07RE5/1005/D

A