



**DOSATRON®**

WATER POWERED DOSING TECHNOLOGY

---

# SCHEMATICS

Dosatron Liquid Dispenser  
**Model # D8R150 – 40 GPM**  
1:100 – 1:20  
2 – 110 PSI

**NOTE:** Not all parts are available for discontinued models,  
and parts are limited. Please call Dosatron  
at 1-800-523-8499 to confirm.

**Suggested Installation:**

200 mesh/80 micron water filter prior to unit

One-way check valve downstream from unit for water hammer protection

**Suggested Maintenance Interval:**

Replace injection seals every 12 months

**DOSATRON SALES & SERVICE - NORTH & CENTRAL AMERICA**

---

Dosatron International, Inc.

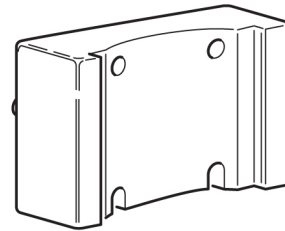
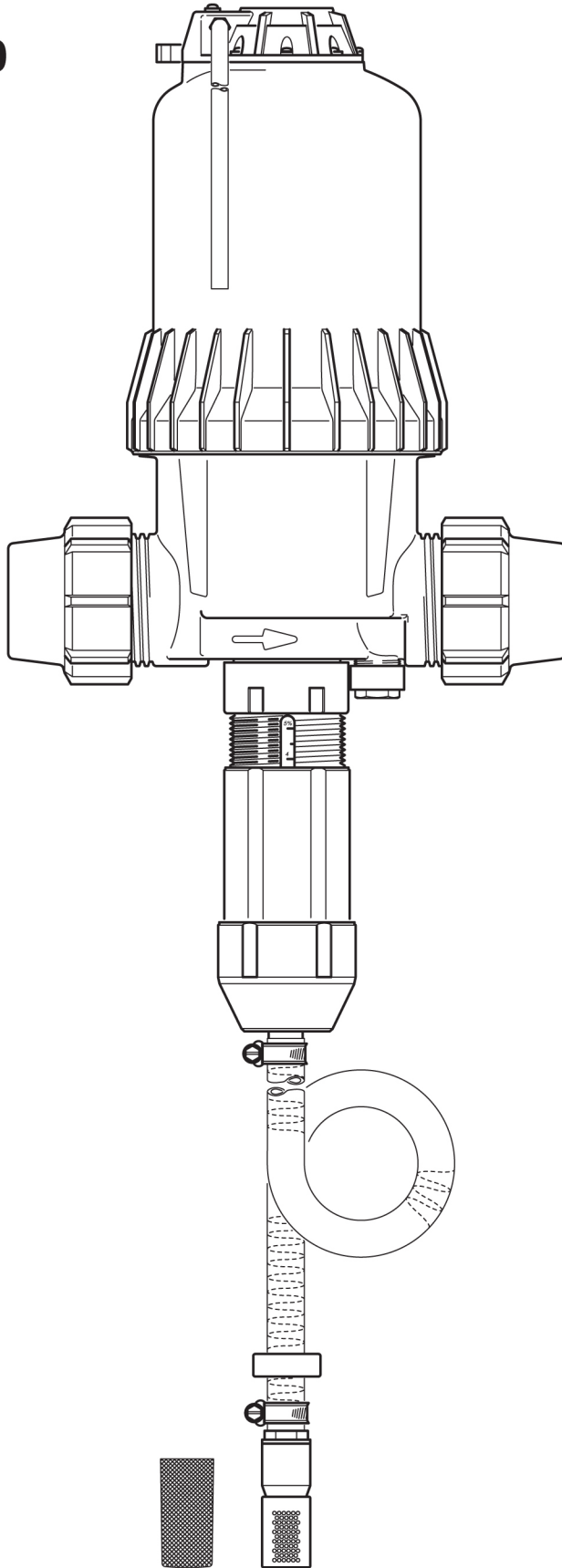
Phone: 727-443-5404 Service: (800) 523-8499

Fax: 727-447-0591

[www.dosatronUSA.com](http://www.dosatronUSA.com)

**D8R150**  
11/03

40 GPM - 1:100 - 1:20  
2.2 - 116 psi

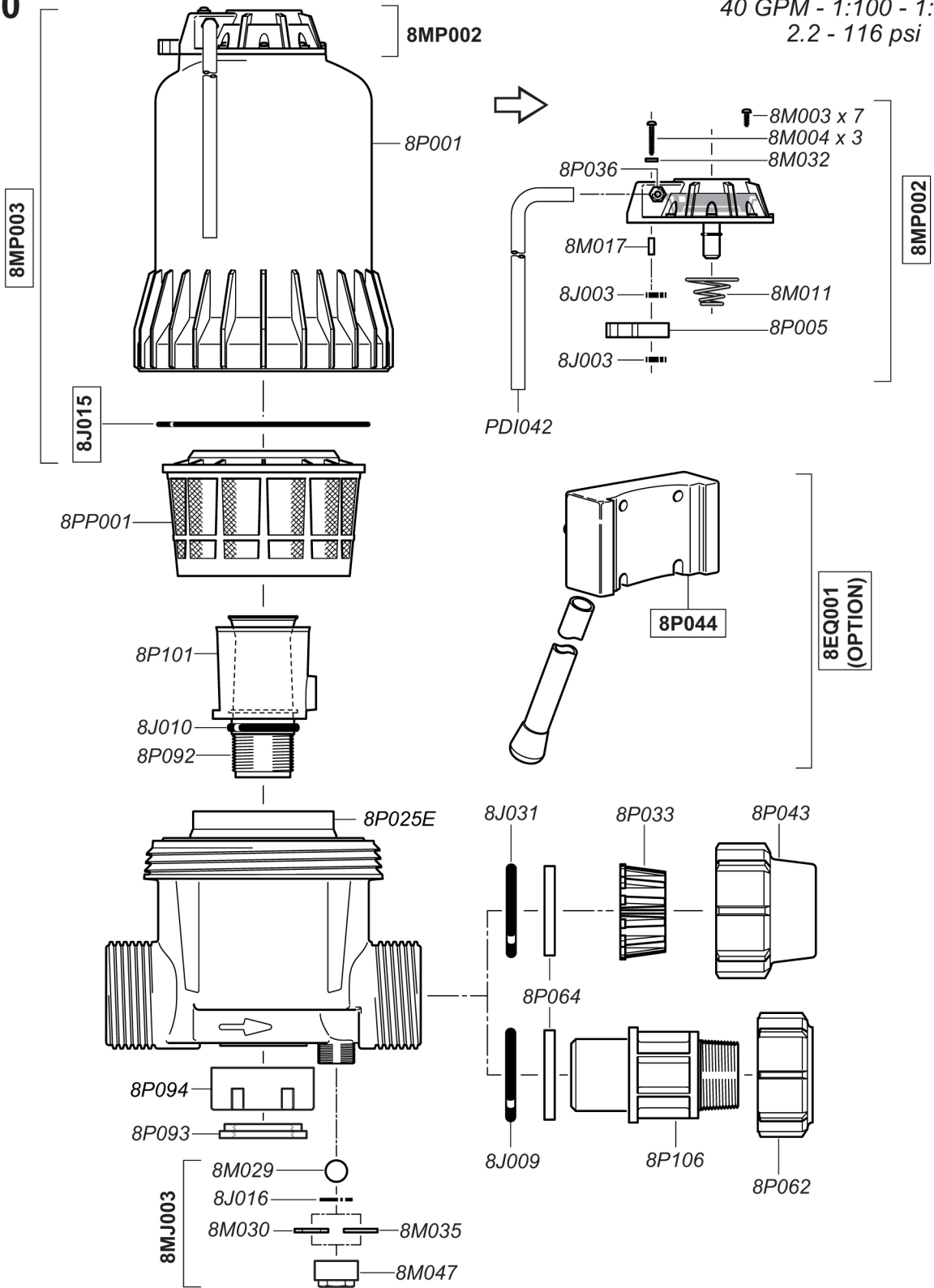


8PJ057 Injection Seal Kit

8EM001 Motor Seal Kit

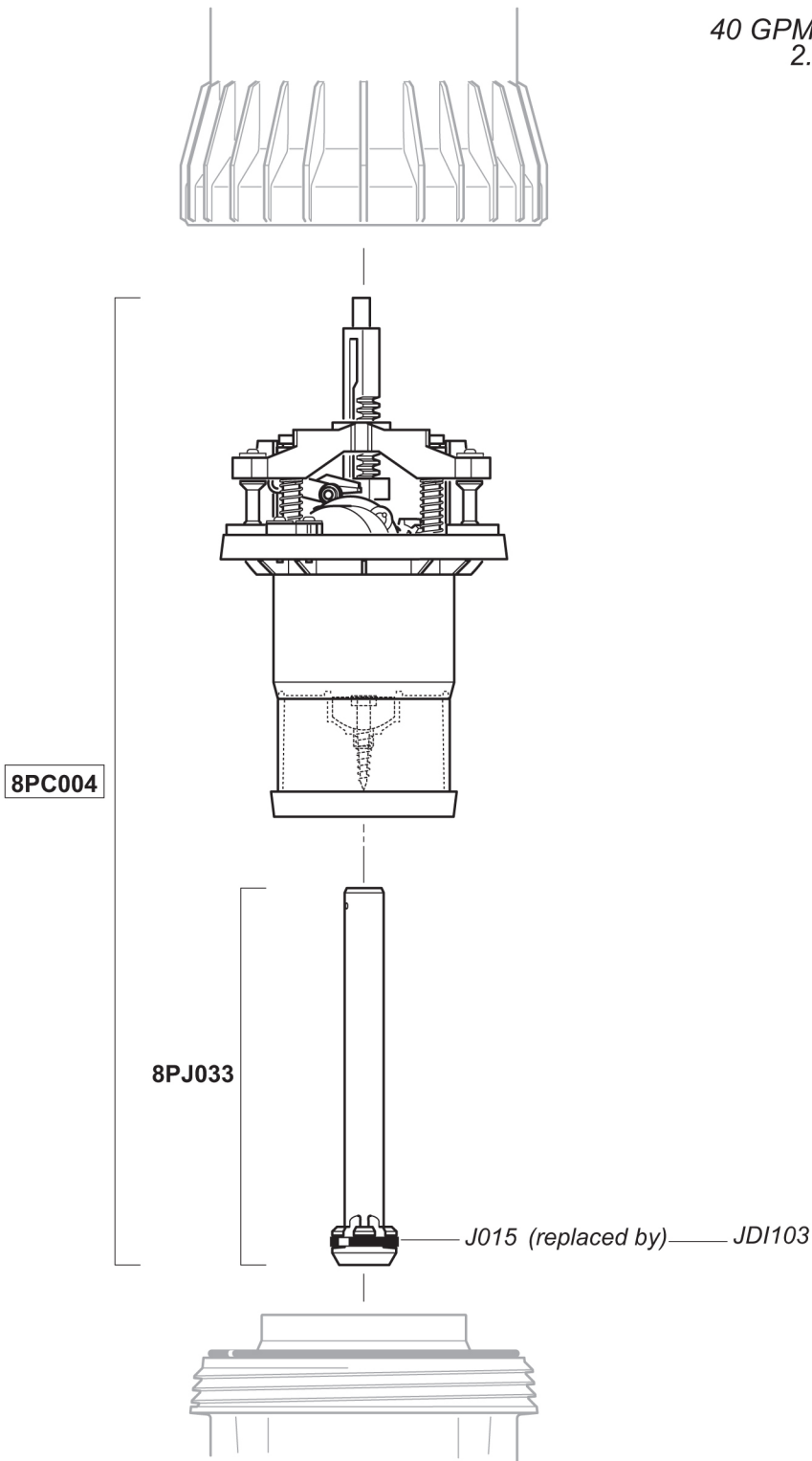
**D8R150**  
11/03

40 GPM - 1:100 - 1:20  
2.2 - 116 psi



**D8R150**  
11/03

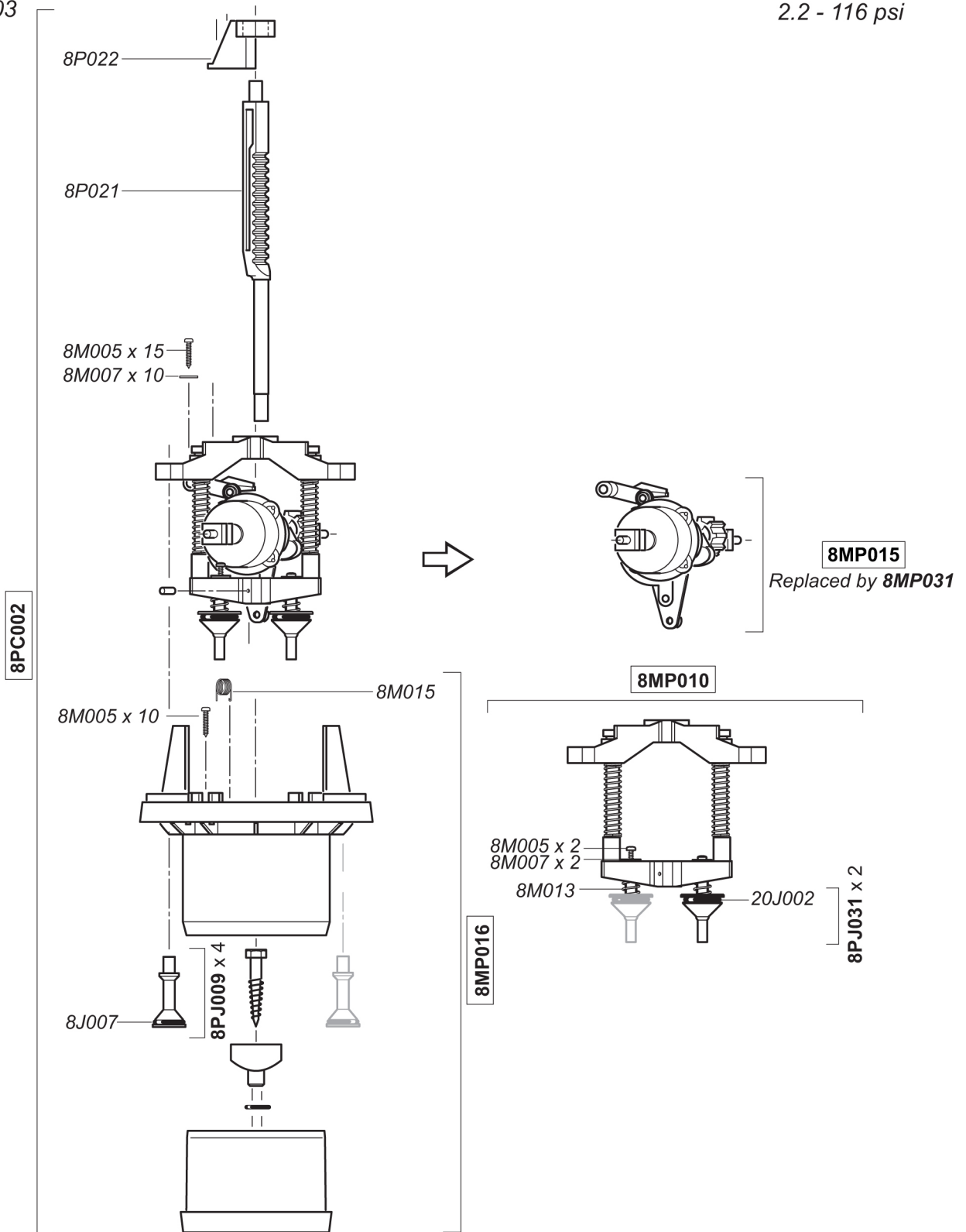
40 GPM - 1:100 - 1:20  
2.2 - 116 psi



# D8R150

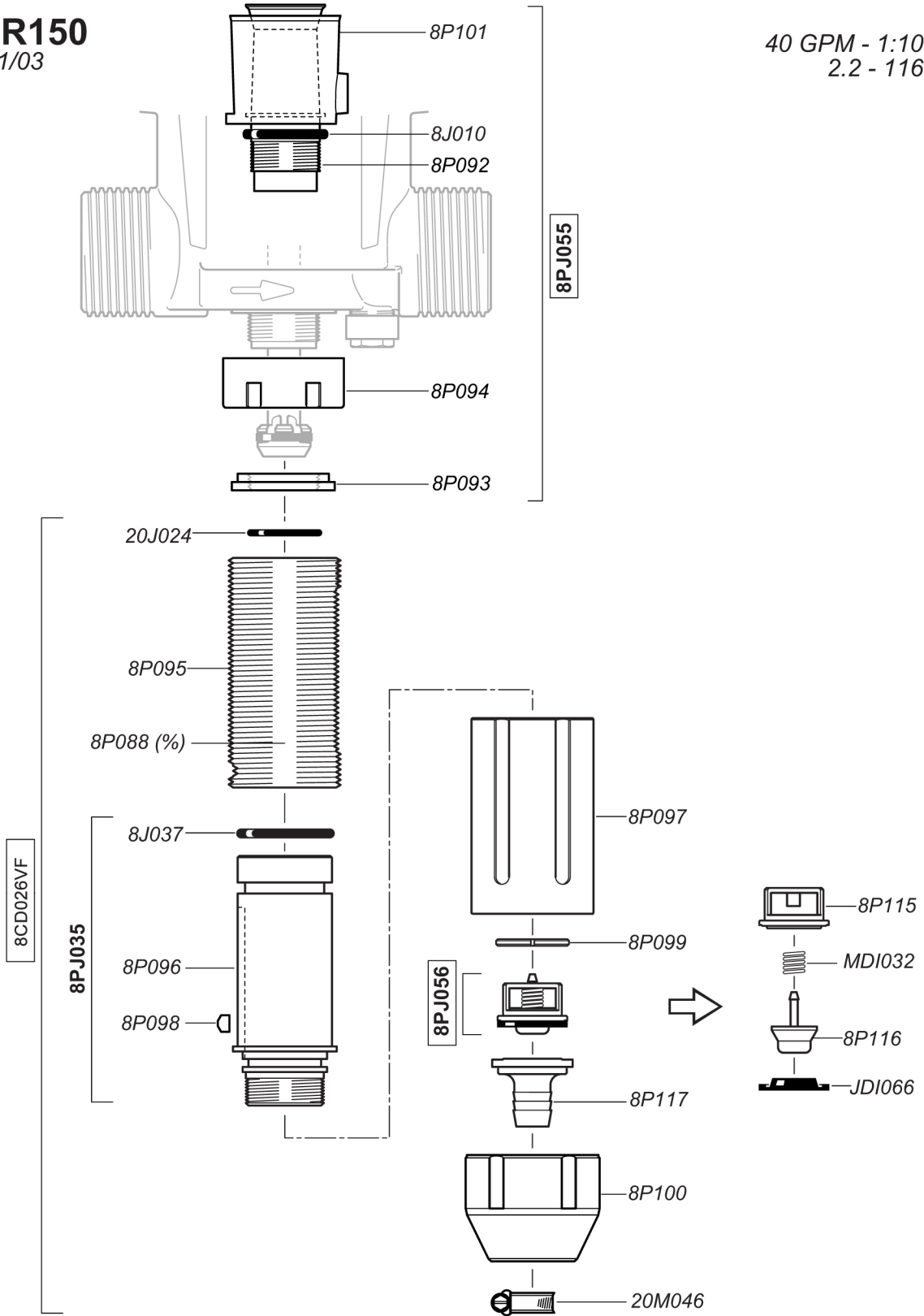
11/03

40 GPM - 1:100 - 1:20  
2.2 - 116 psi



**D8R150**  
11/03

40 GPM - 1:100 - 1:20  
2.2 - 116 psi



**D8R150**  
11/03

40 GPM - 1:100 - 1:20  
2.2 - 116 psi

