



DOSATRON®

WATER POWERED DOSING TECHNOLOGY



D25RE10 - 8.8 GPM INTERACTIVE SCHEMATICS

UNIT SPECIFICATIONS

- 1:33 - 1:10
- 4.3 - 58 PSI
- 3/4" NPT Connection

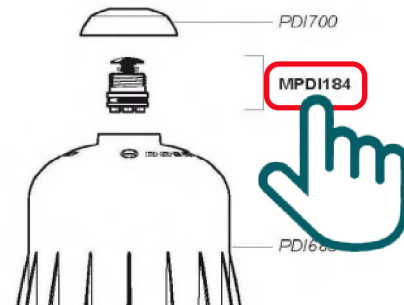
SUGGESTED INSTALLATION

- 200 mesh/80 micron water filter prior to the unit
- One-way check valve down-stream from the unit for water hammer protection

SUGGESTED MAINTENANCE

- Injection Seal Kit
Part #: [PJ120](#)
For yearly maintenance

DOCUMENT INSTRUCTIONS

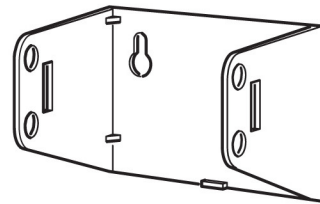
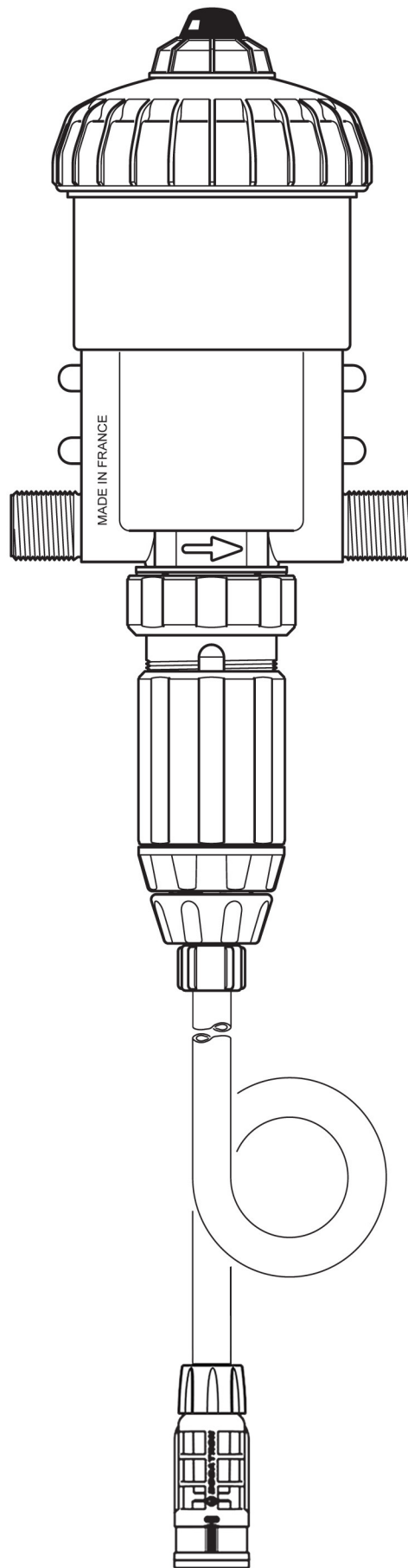


- Click on a part #, to visit item page
- Click arrow back from item page, to return to this document



D25RE10

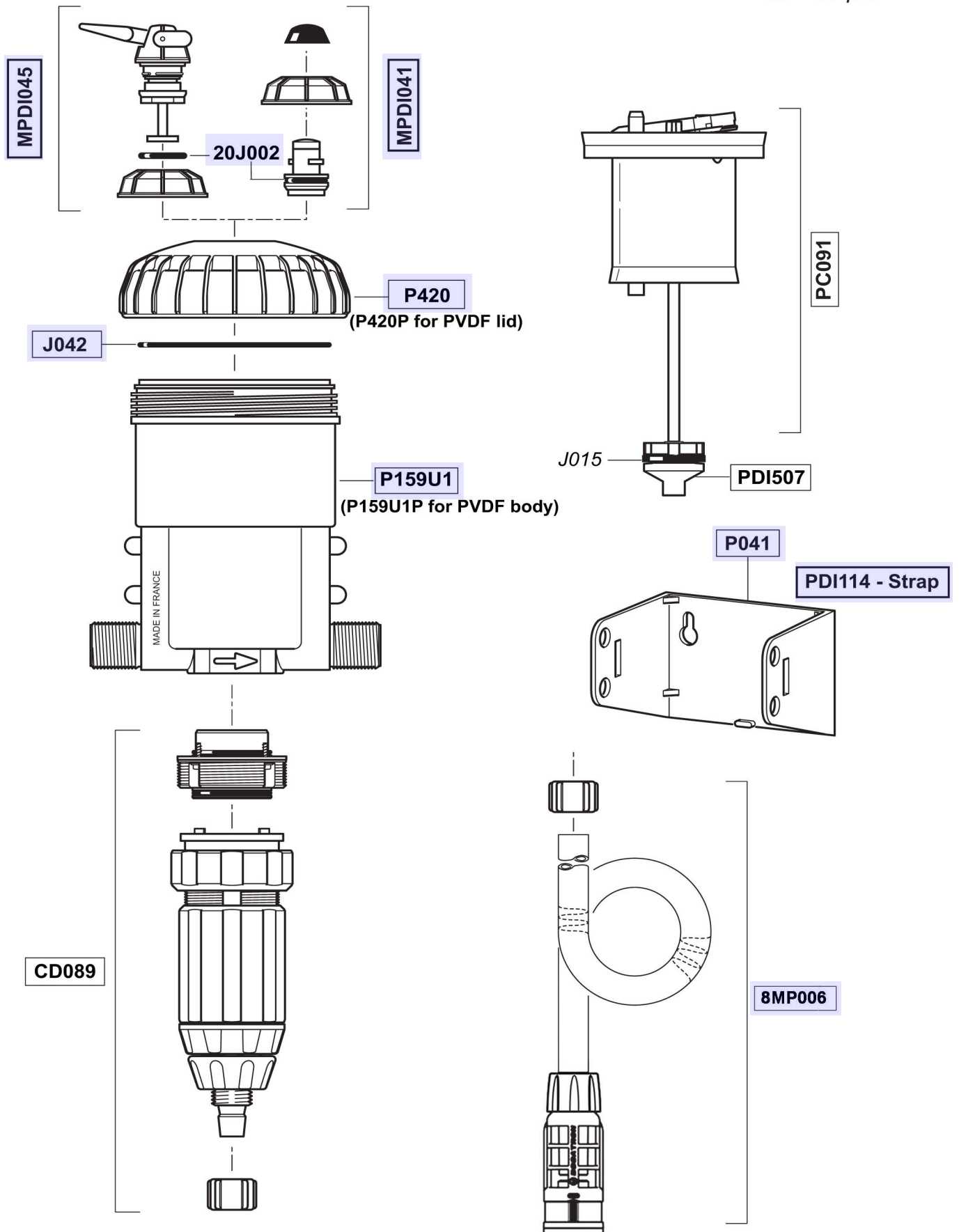
8.8 GPM - 1:33 - 1:10
4.3 - 57 psi



Injection Seal Kit Part #: PJ120

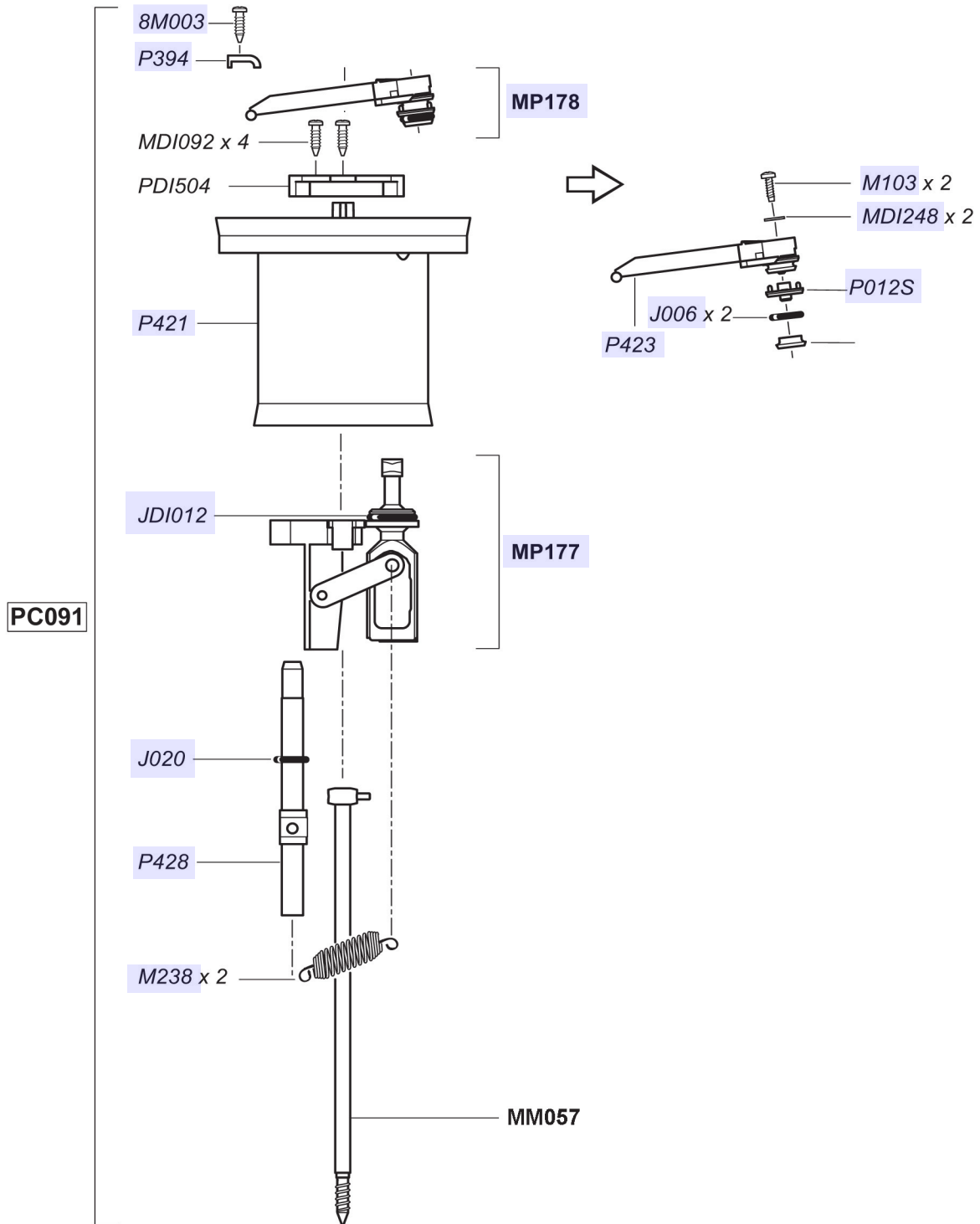
D25RE10

8.8 GPM - 1:33 - 1:10
4.3 - 57 psi



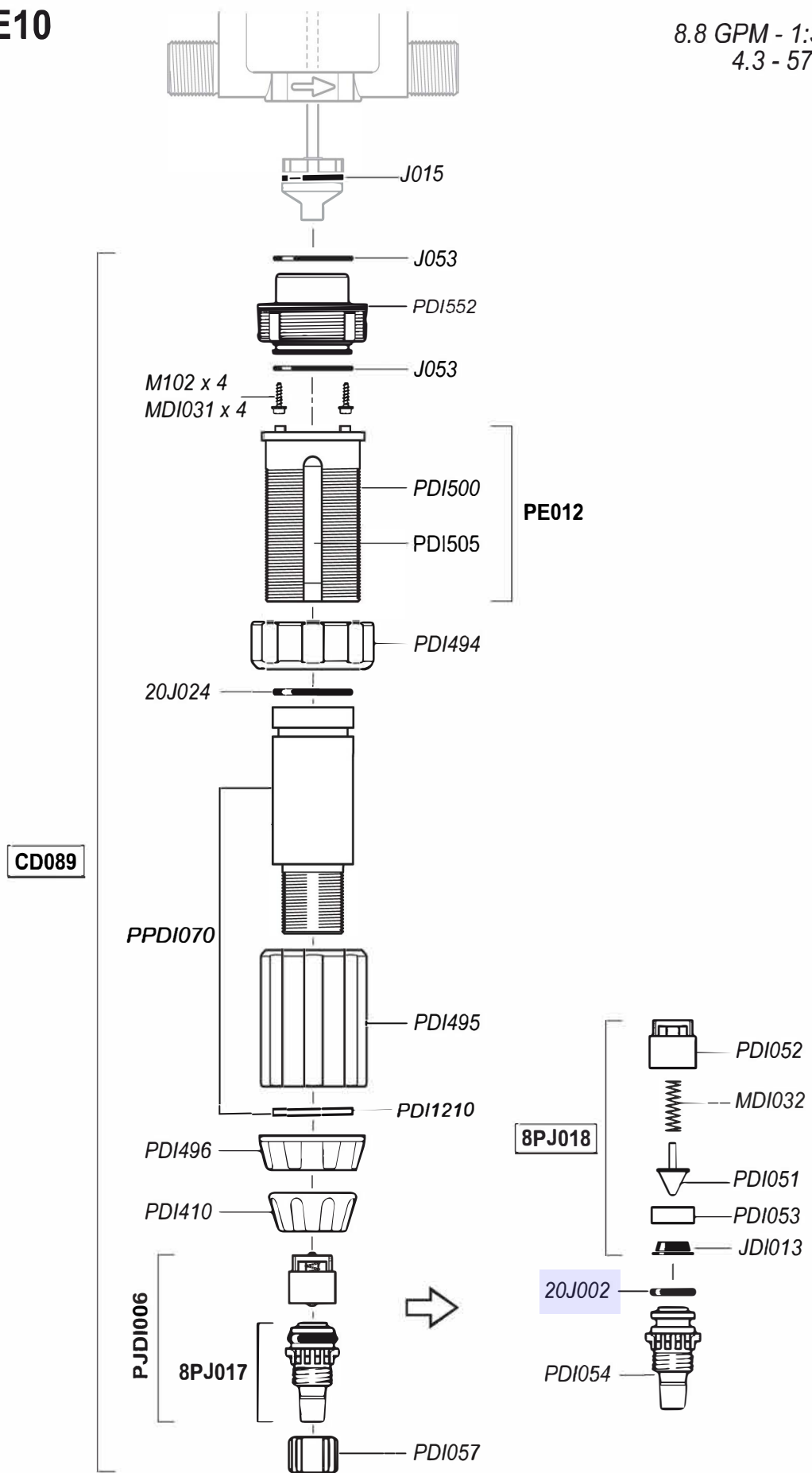
D25RE10

8.8 GPM - 1:33 - 1:10
4.3 - 57 psi



D25RE10

8.8 GPM - 1:33 - 1:10
4.3 - 57 psi

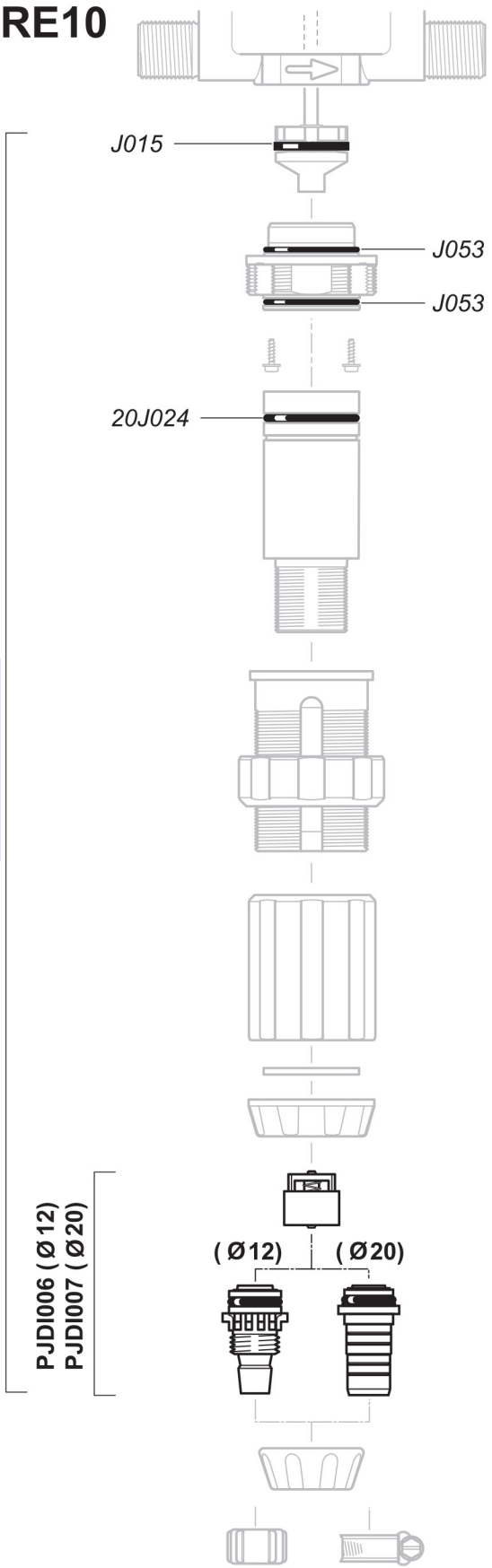


D25RE10

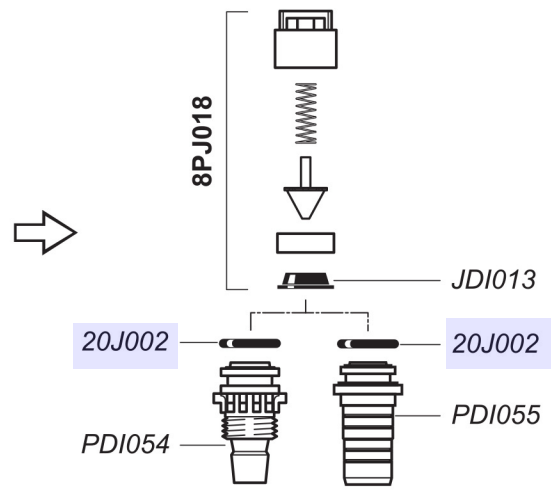
8.8 GPM - 1:33 - 1:10
4.3 - 57 psi

PJ120 (Ø 12)
PJ120V (Ø 20)

© DOSATRON INTERNATIONAL S.A.S. 2008



PJ120 (Ø 12)
PJ120V (Ø 20)



D

D25RE10

8.8 GPM - 1:33 - 1:10
4.3 - 57 psi

