



ET3821QSU/D25ALN-04-18

NEED HELP ?
Contact your DOSATRON distributor for service or parts






For complete information on the features and operations, refer to your Manual on www.dosatron.com or download our DOSATRON app

IMPORTANT NOTES

*Congratulations on your new Dosatron.
Please read the following important information.*

QUICK START UP
D25ALN
2.5 m³/h - 11 US GPM
ANIMAL HEALTH LINE




Because life is powered by water®

CAUTION

- When connecting a DOSATRON either to the public water supply or to its own water source, you must respect the regulations in force concerning protection of the source i.e. backflow prevention, etc.
- Contact local authorities for requirements of backflow prevention.
- When installing, operating, and maintaining the DOSATRON water powered metering pump, keep safety considerations foremost. Use proper tools, protective clothings, and eye protection when working on the equipment and install the equipment with a view toward ensuring safe operation.
- Follow the instructions in the manual and take additional safety measures appropriate to the liquid being pumped and the temperature of the water that powers the DOSATRON. Be extremely careful in the presence of hazardous substances (e.g. corrosives, toxins, solvents, acids, caustic, flammables, etc.).
- Before applying any aggressive chemicals, please consult your distributor to confirm compatibility with the dosing pump.

⚠ Hand tighten. No tools needed.

Follow the instructions in this manual BEFORE USING FOR THE FIRST TIME OR AFTER A PERIOD OF NON-USE.

Let the DOSATRON operate for 20 CYCLES (motor + dosing part) with clear water. Do not drink the aforesaid water.

RECOMMENDATIONS

DO NOT USE THIS UNIT WITHOUT A 60 MICRON [300 MESH] WATER FILTER* OR YOUR WARRANTY WILL BE VOID.

*The 60 micron [300 mesh] water filter (sold separately) protects your unit from debris in the water that causes scoring to the piston and housing.

**KNOW YOUR WATER FLOW!
GRADUALLY TURN ON THE WATER.**

COUNT THE NUMBER OF CLICKS IN 15 SECONDS. DO NOT EXCEED 46* CLICKS.

CLICK CHART

Clicks/15 sec	l/h	GPM
2	110	0.5
4	220	1
18	1000	4.5
36	2000	9
46	2500	11

CUSTOMER SERVICE - SERVICE CLIENTÈLE (WORLDWIDE - EUROPE)
Manufactured by - Fabrique par :

Certified GEHSS System

DOSATRON INTERNATIONAL S.A.S.

Rue Pascal - B.P. 6 - 33370 TRESSES (BORDEAUX) - FRANCE

Tel. 33 (0)5 57 97 11 11

Fax. 33 (0)5 57 97 11 29 / 33 (0)5 57 97 10 85

info@dosatron.com - www.dosatron.com



CUSTOMER SERVICE - SERVICE CLIENTÈLE (NORTH & CENTRAL AMERICA)

DOSATRON INTERNATIONAL INC.

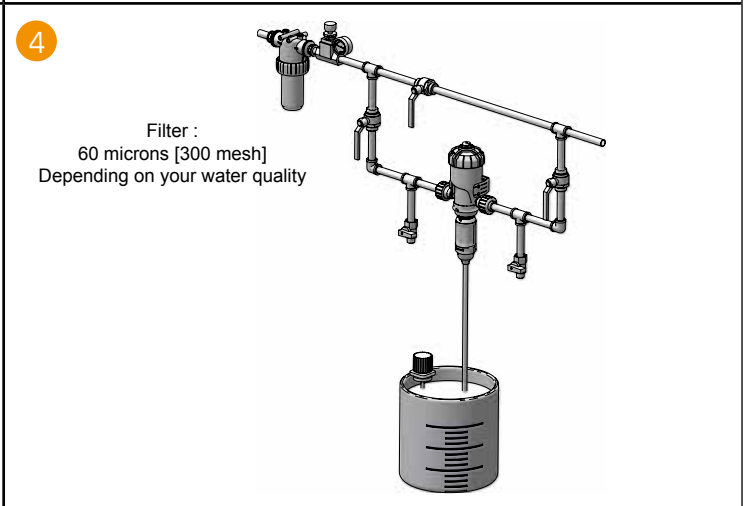
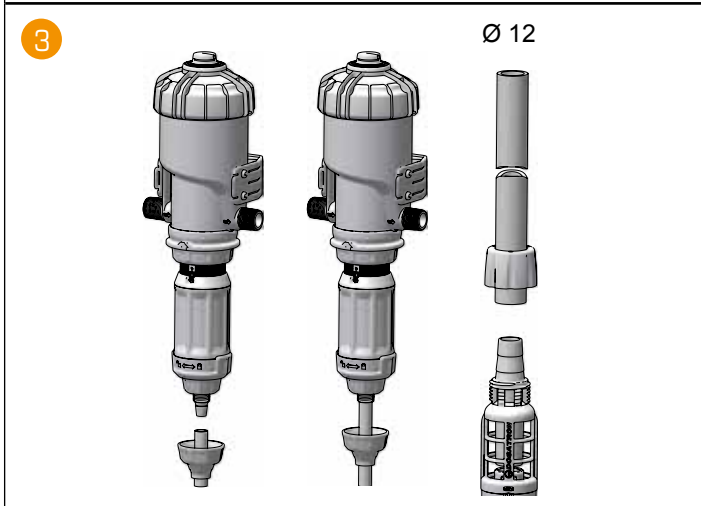
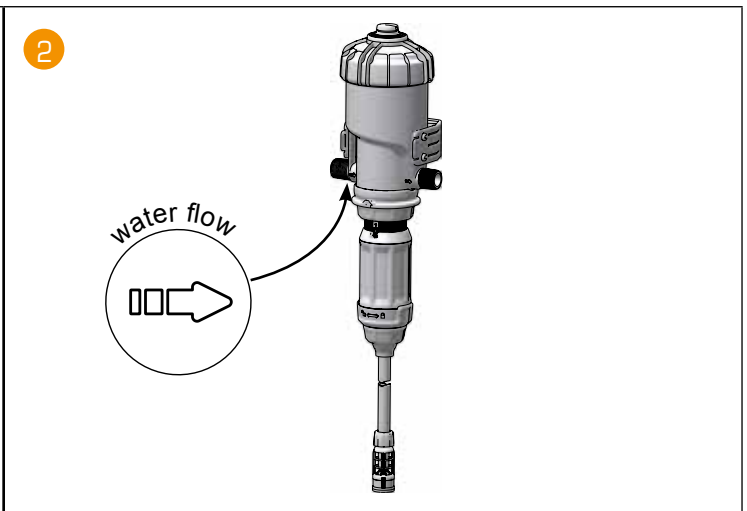
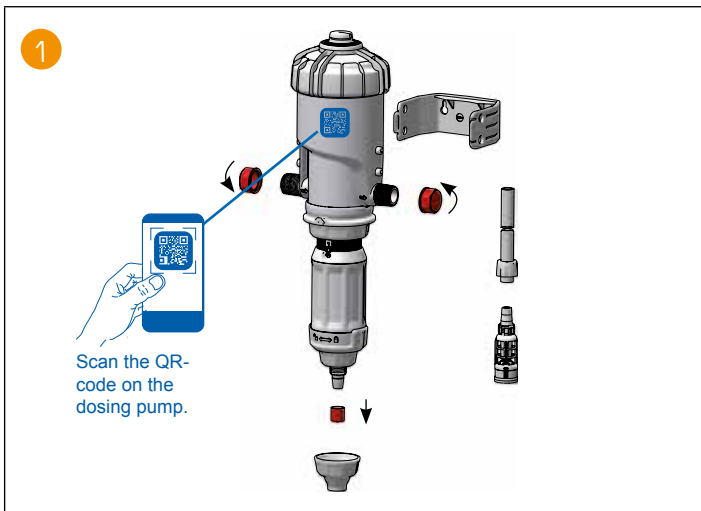
2090 SUNNYDALE BLVD. CLEARWATER - FL 33765 - USA

Tel. 1-727-443-5404 / 1-800-523-8499 - Fax 1-727-447-0591

Site web: www.dosatronusa.com

This document does not form a contractual engagement on the part of Dosatron International and is for information only. Dosatron International reserves the right to alter product specification or appearance without prior notice.

© DOSATRON INTERNATIONAL S.A.S 2017



Maximum: 46 clicks/15 sec.

