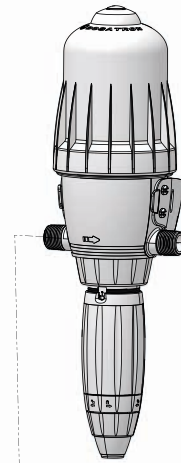
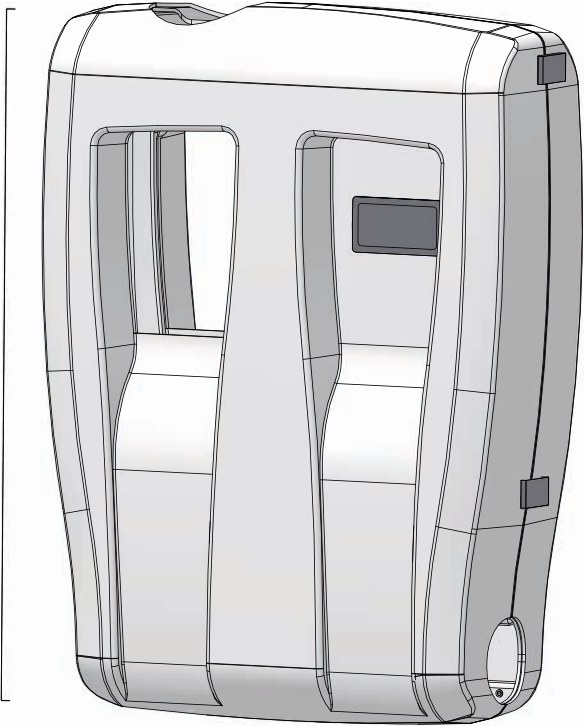


# D30 0.1 - 1%

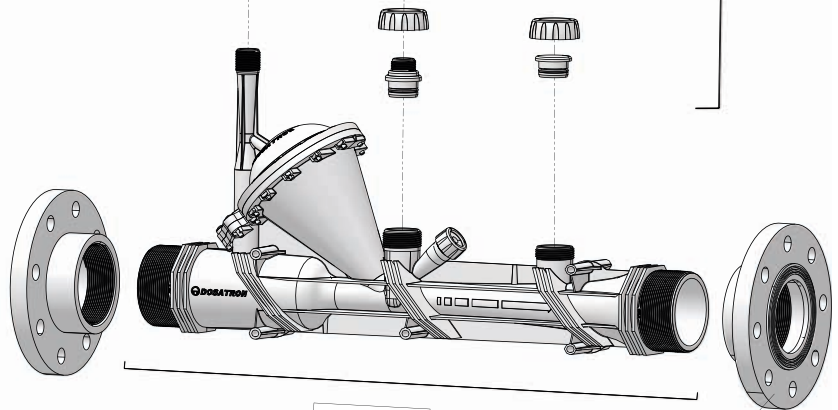
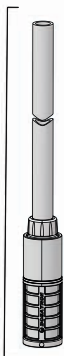
30m<sup>3</sup>/h - 0.1 - 1%  
132 GPM - 1:1000 - 1:100  
0.5 - 6 bar  
7.25 - 87 psi

PJDI176



PJDI182

MPDI217



PJDI177

PDI1043 X 2

# D30 0.1 - 1%

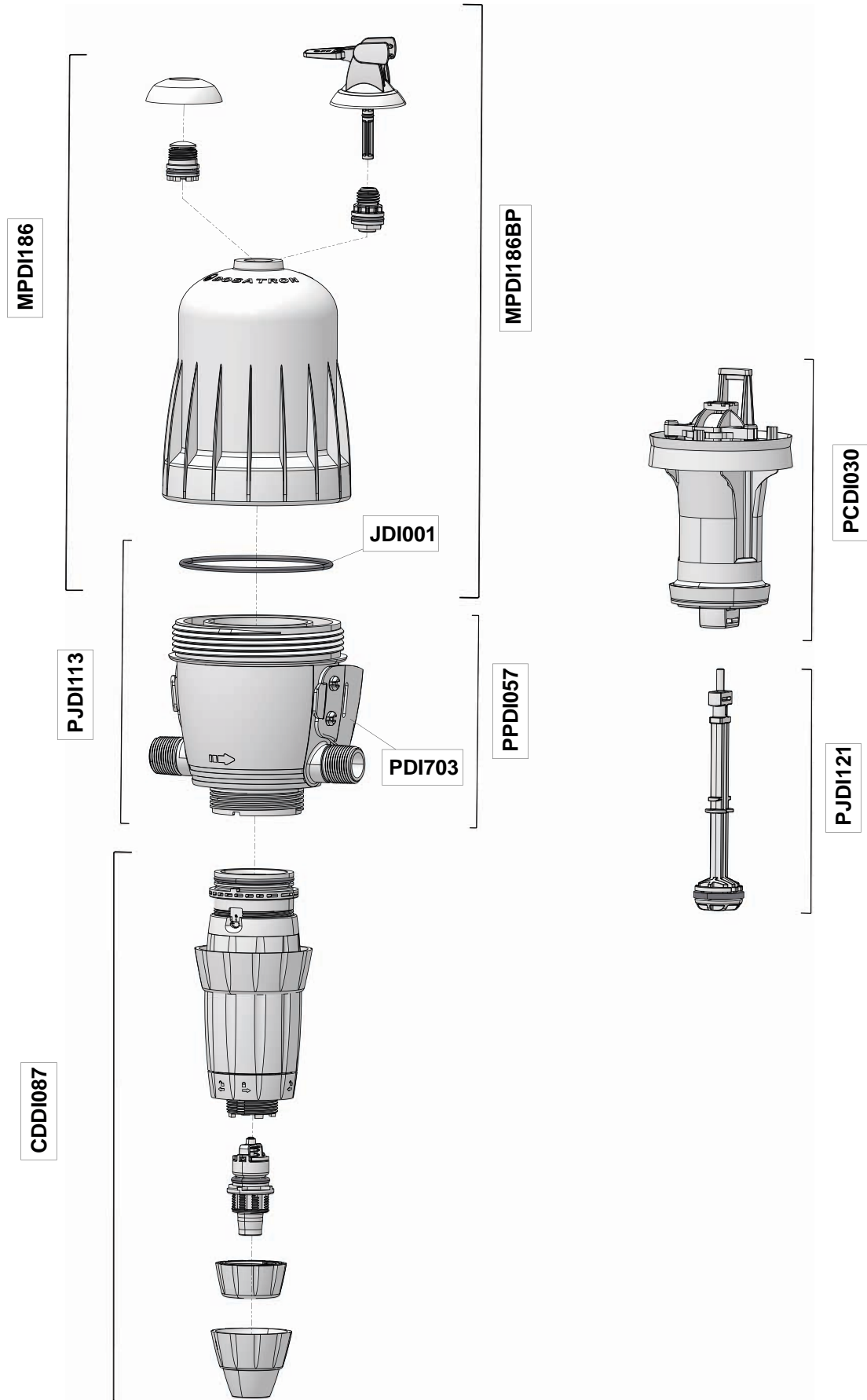
30m<sup>3</sup>/h - 0.1 - 1%  
132 GPM - 1:1000 - 1:100  
0.5 - 6 bar  
7.25 - 87 psi

EMDI009



# D30 0.1 - 1%

30m<sup>3</sup>/h - 0.1 - 1%  
132 GPM - 1:1000 - 1:100  
0.5 - 6 bar  
7.25 - 87 psi

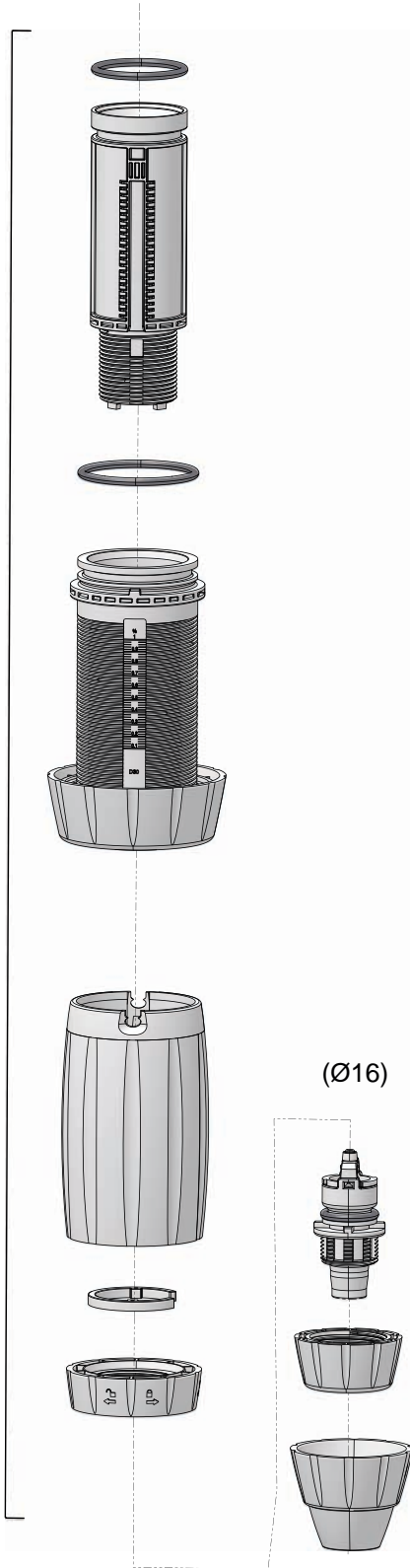


(Ø16)

# D30 0.1 - 1%

30m<sup>3</sup>/h - 0.1 - 1%  
132 GPM - 1:1000 - 1:100  
0.5 - 6 bar  
7.25 - 87 psi

CDDI087



PJDI122

