



DOSATRON®

WATER POWERED DOSING TECHNOLOGY

QUICK START UP SD25ALN



SmartDosing 

SD25ALN

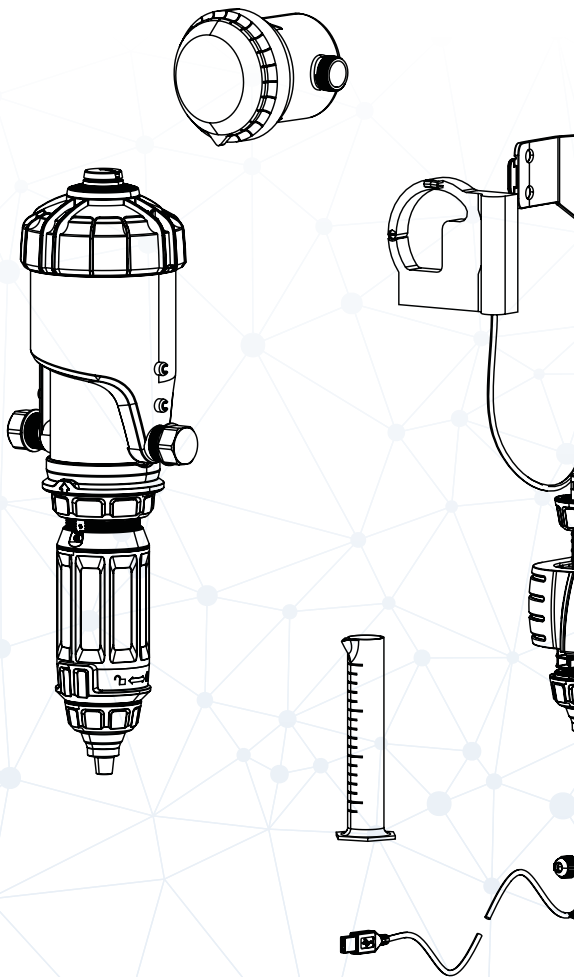
QUICK START UP SD25ALN

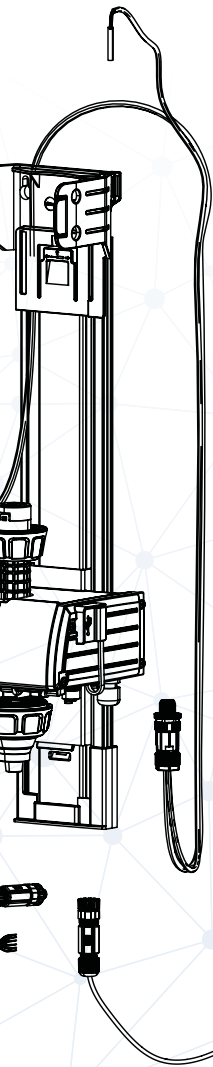
SmartDosing  



REC 

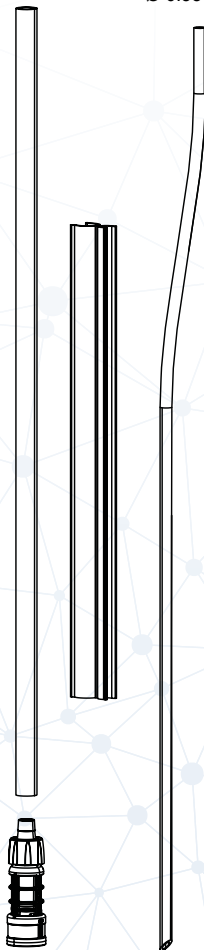


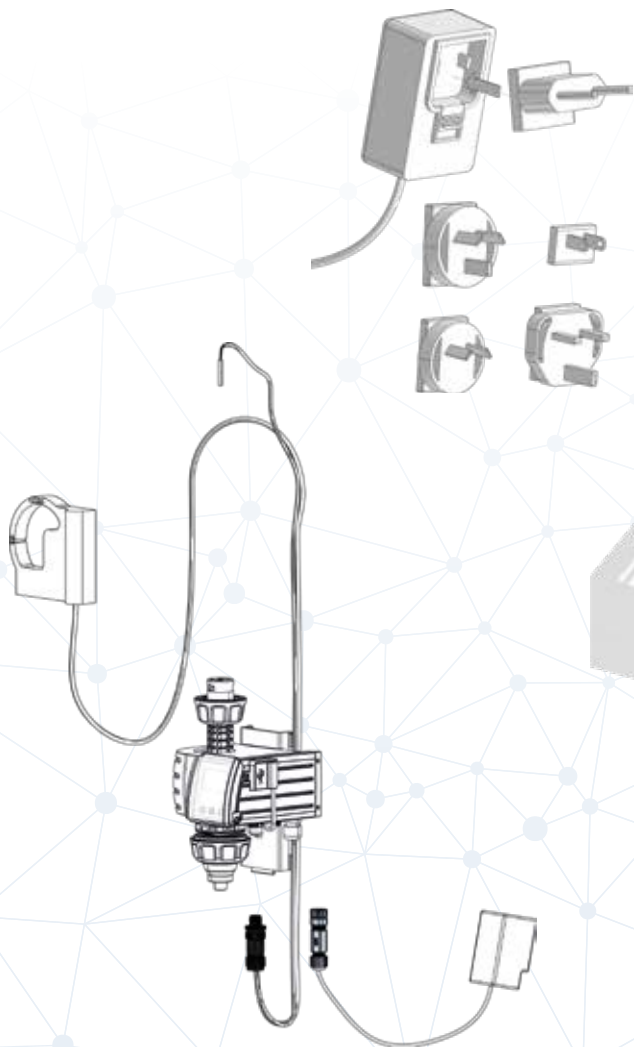


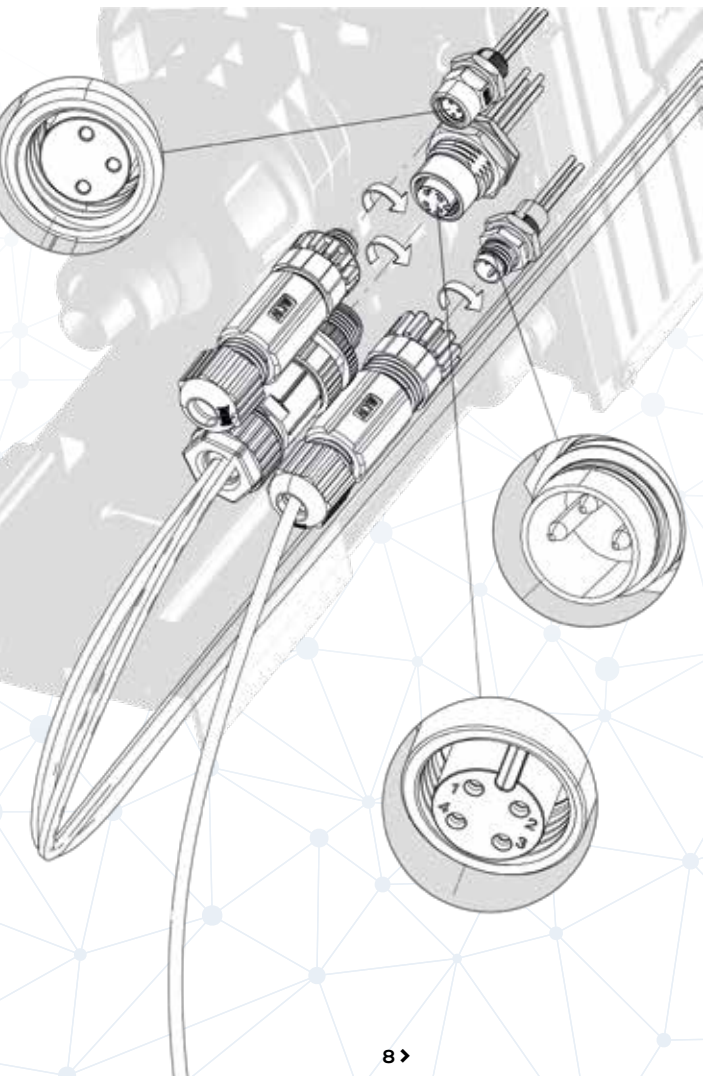


Ø 0.47"

Ø 0.35"







1

2

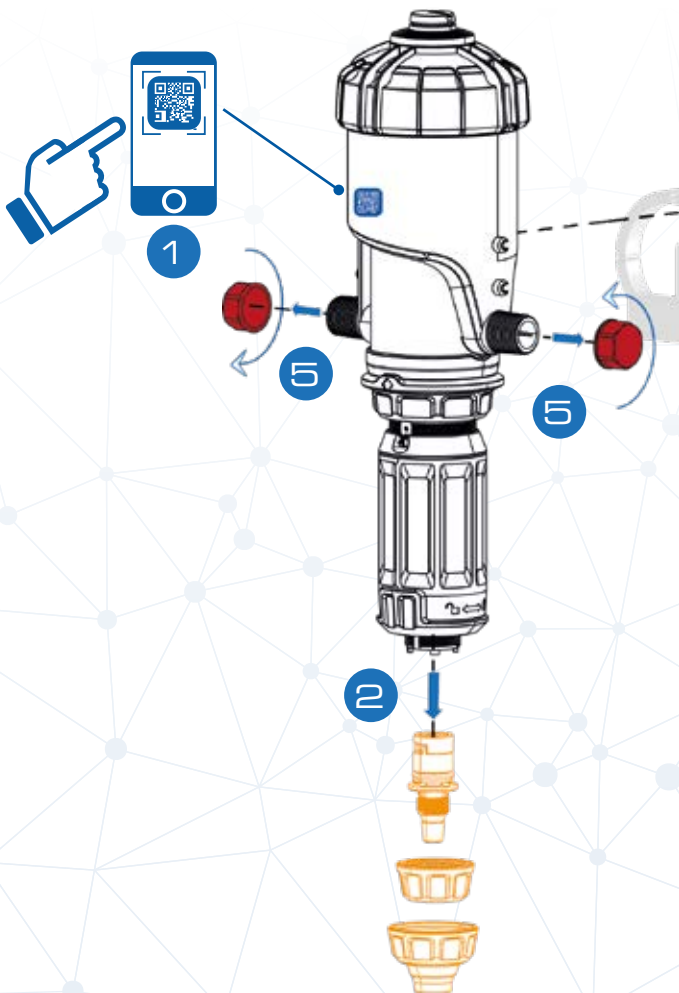
3

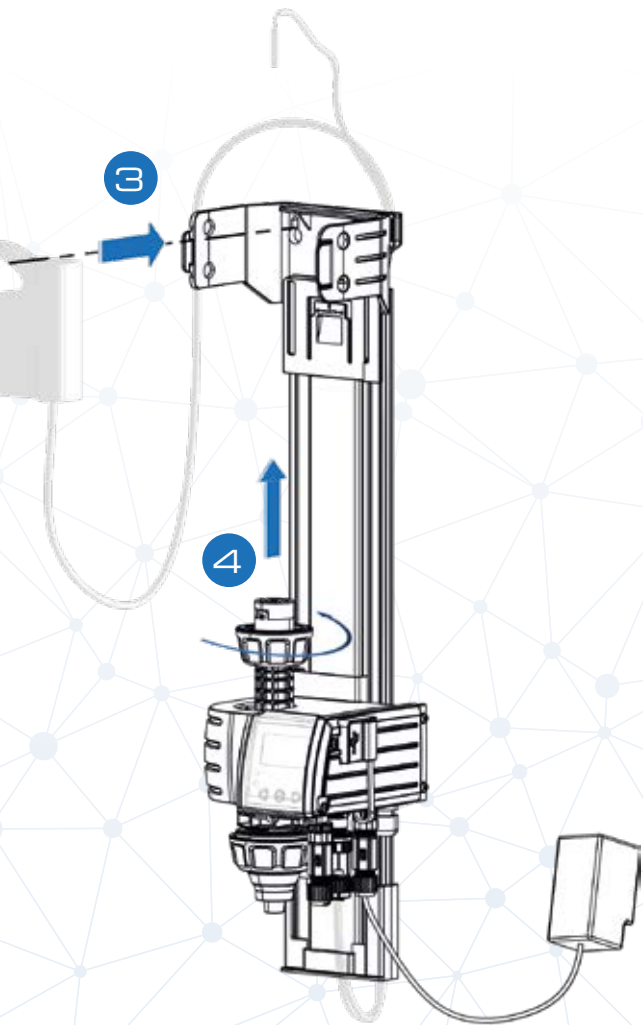
4

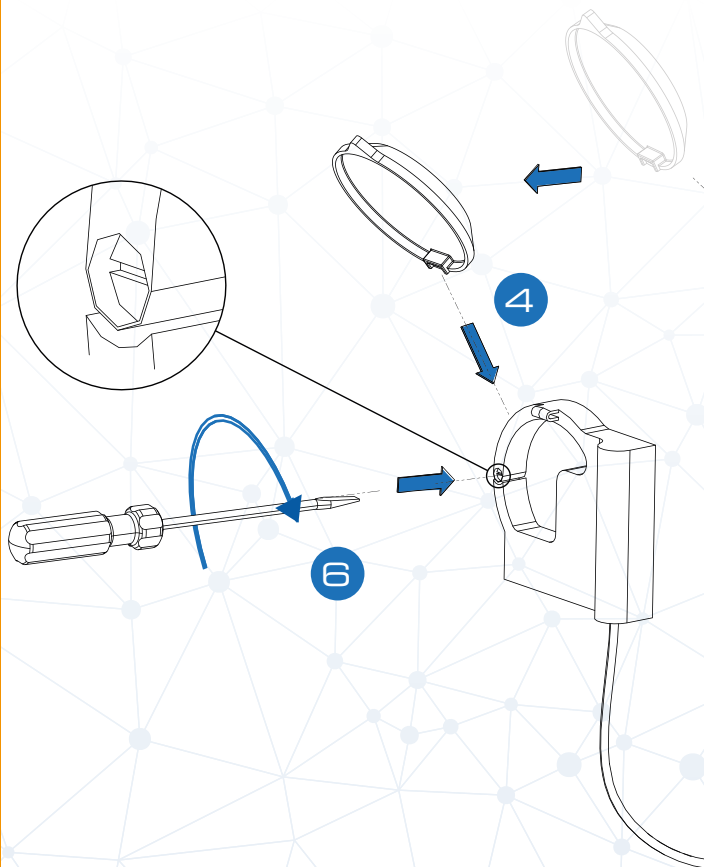
5

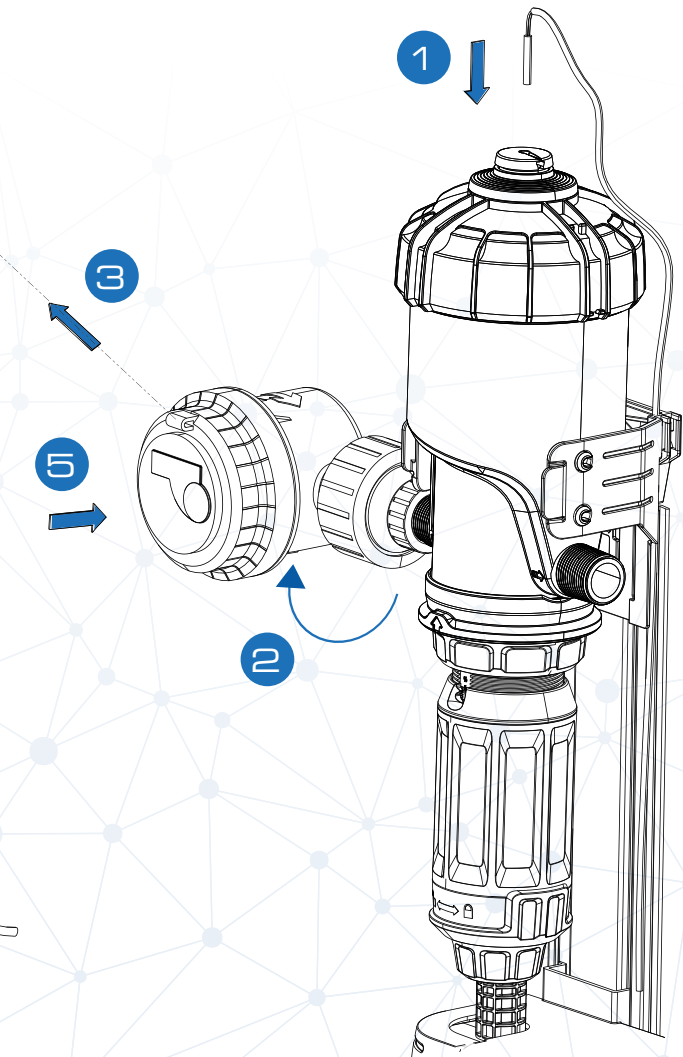
6

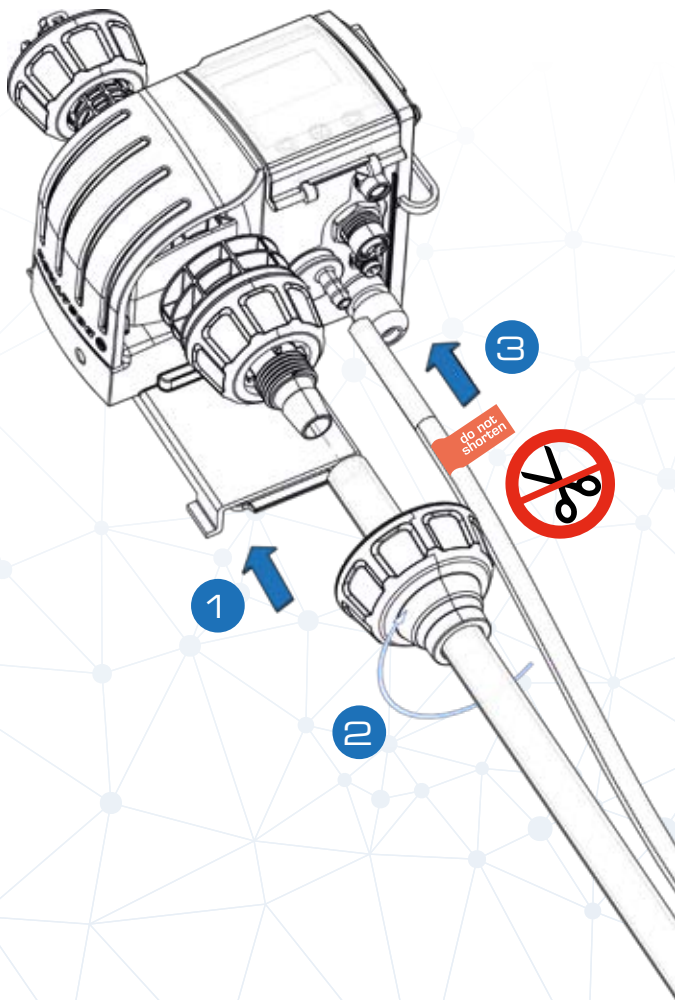
7

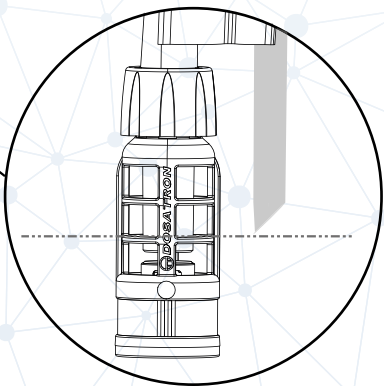
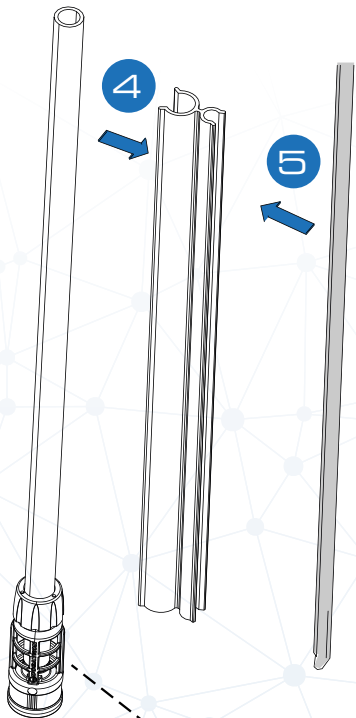


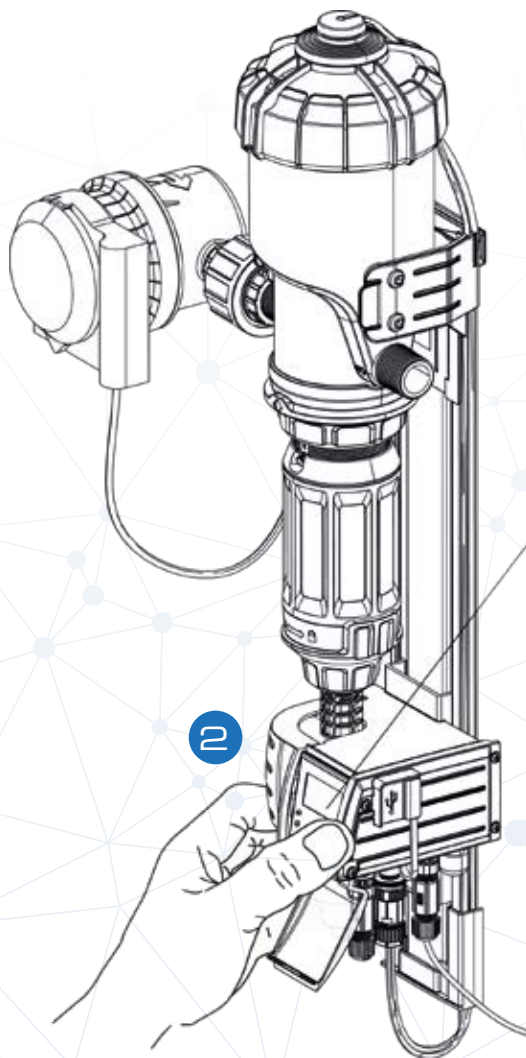


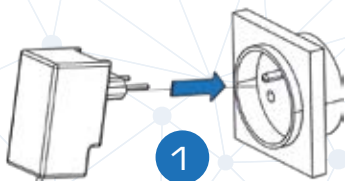
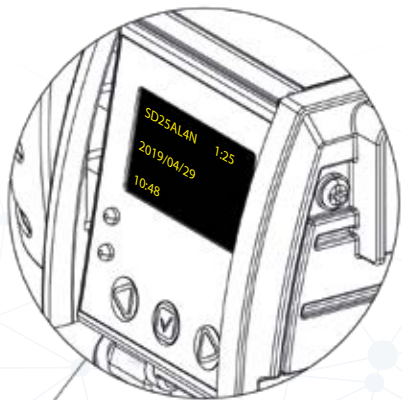






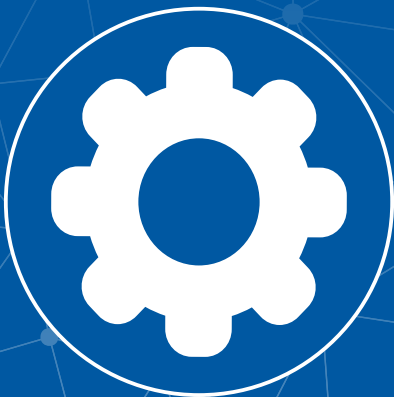


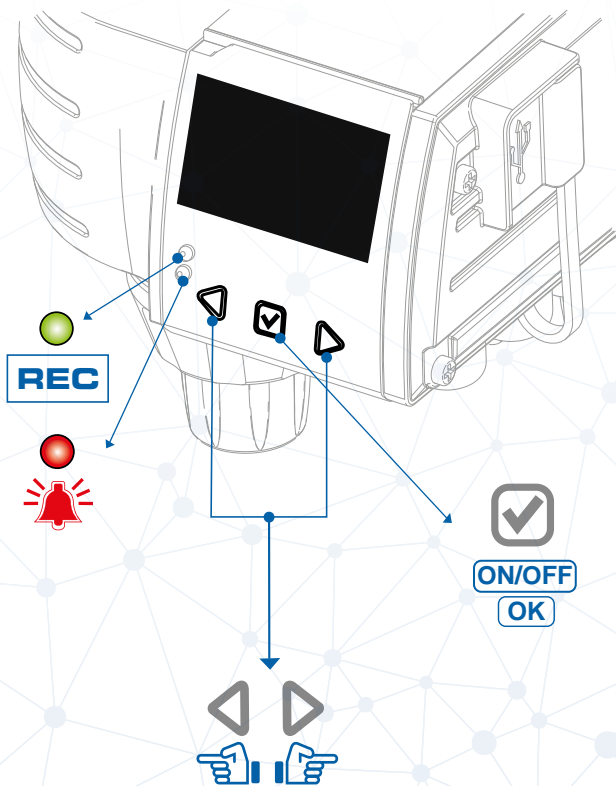


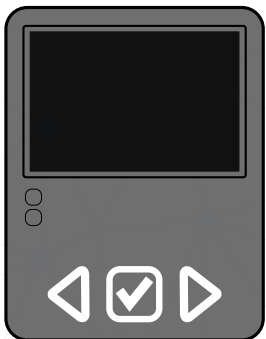




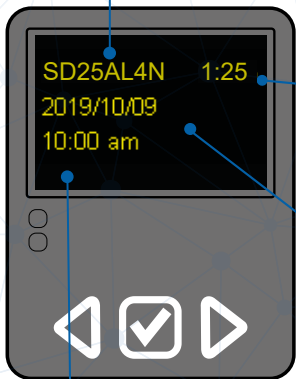
A series of 20 horizontal dotted lines for handwriting practice.

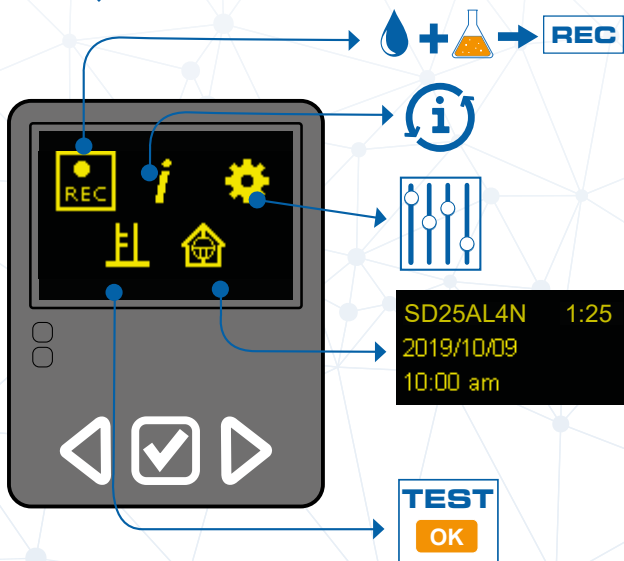


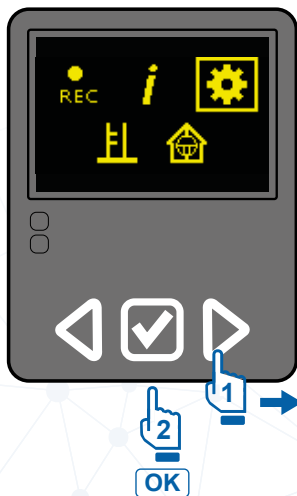


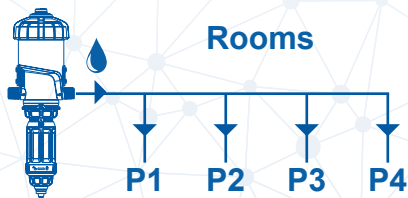
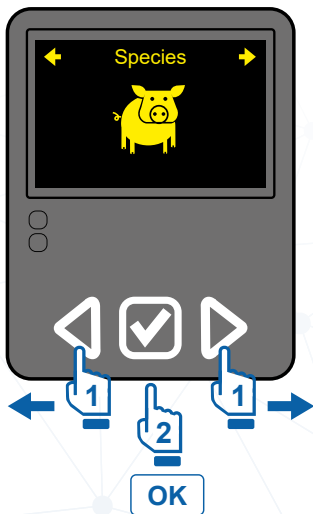


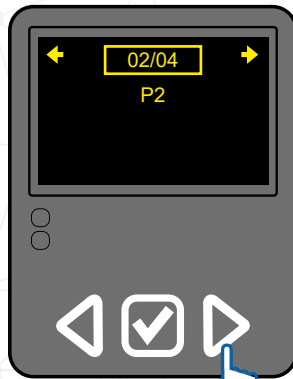
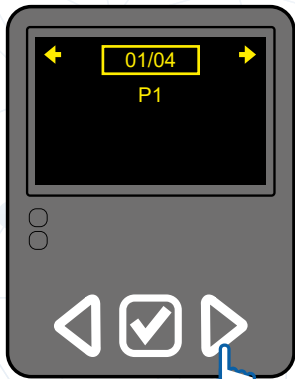
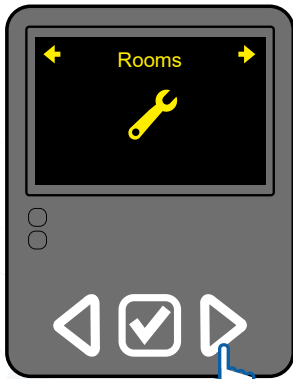
ON
(1 sec)

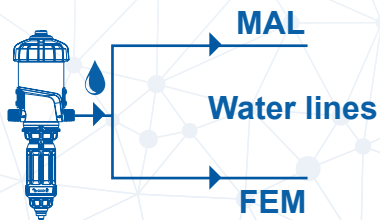
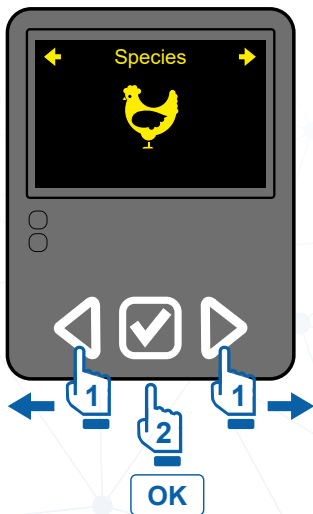


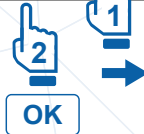
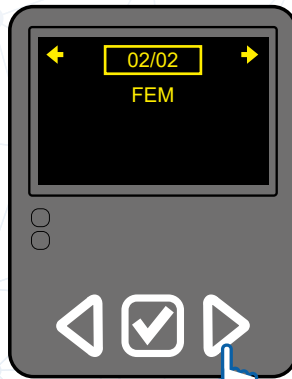
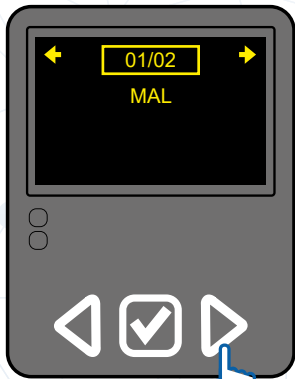
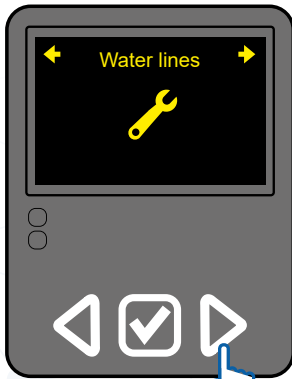
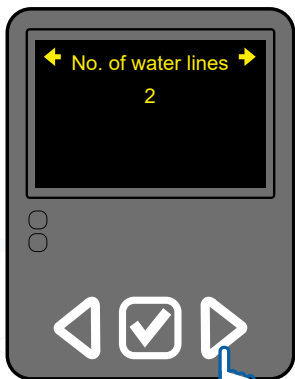






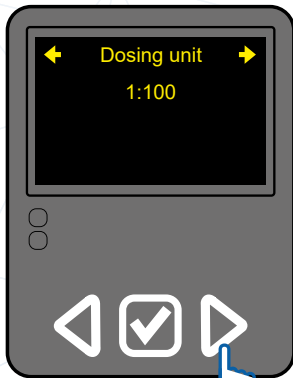




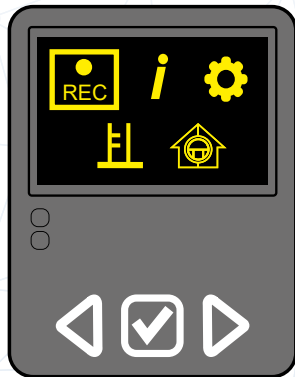
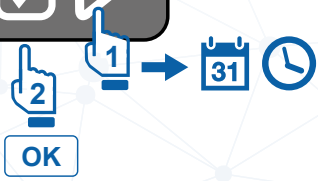




US Gallon
Metric



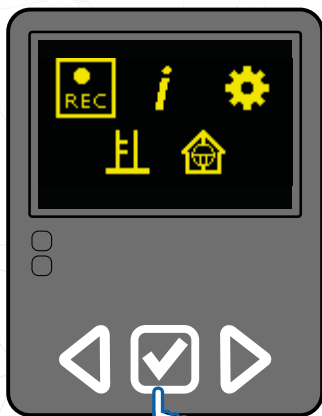
1:100
1%

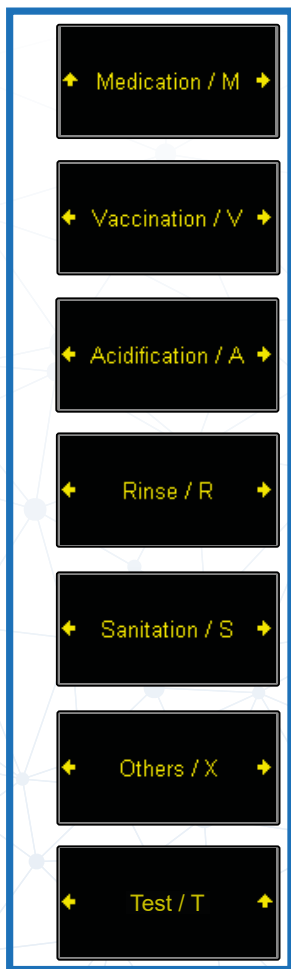
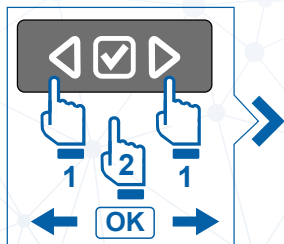






REC





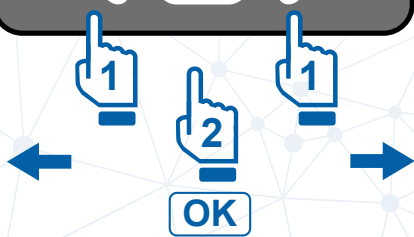
1

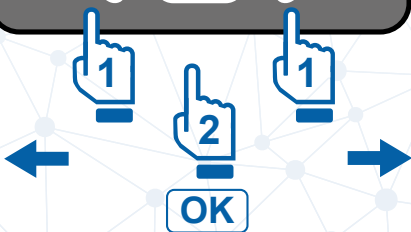
2

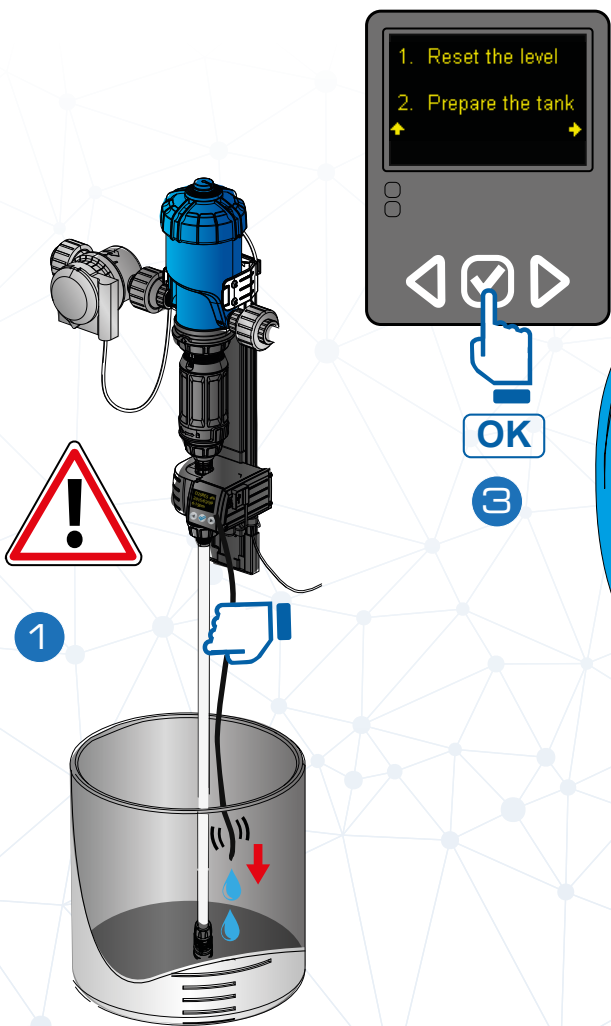
3

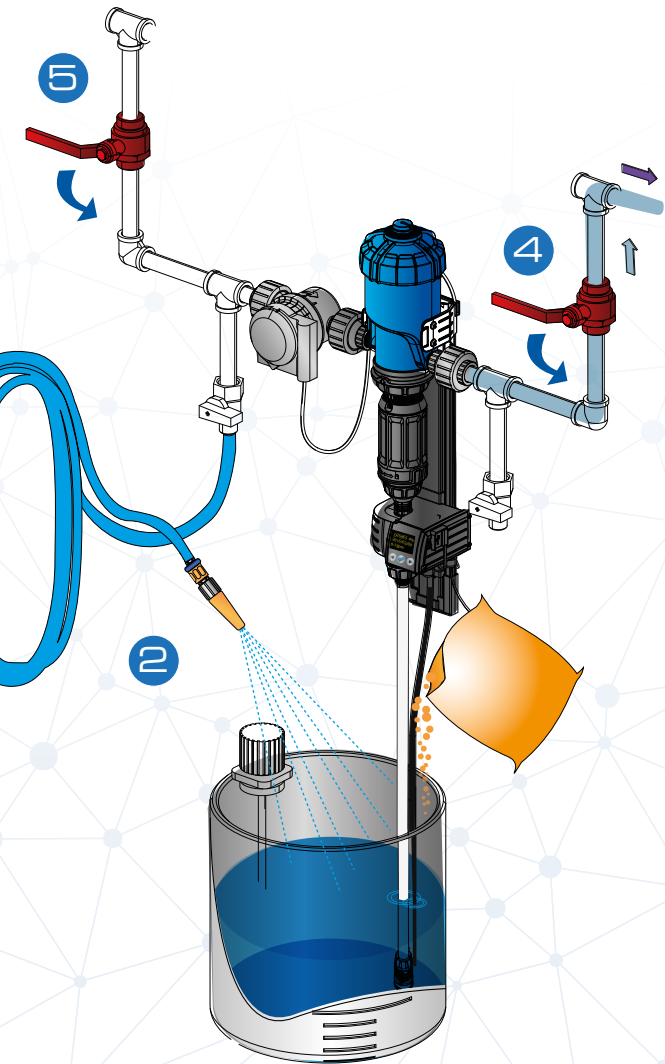
4

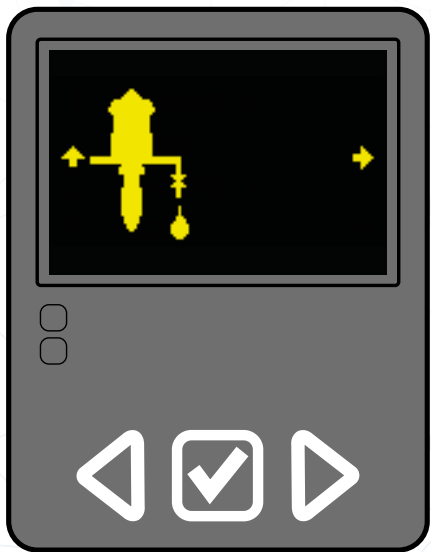
REC

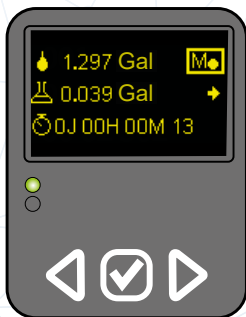
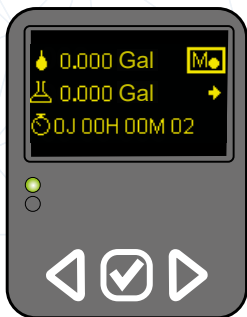












1

2

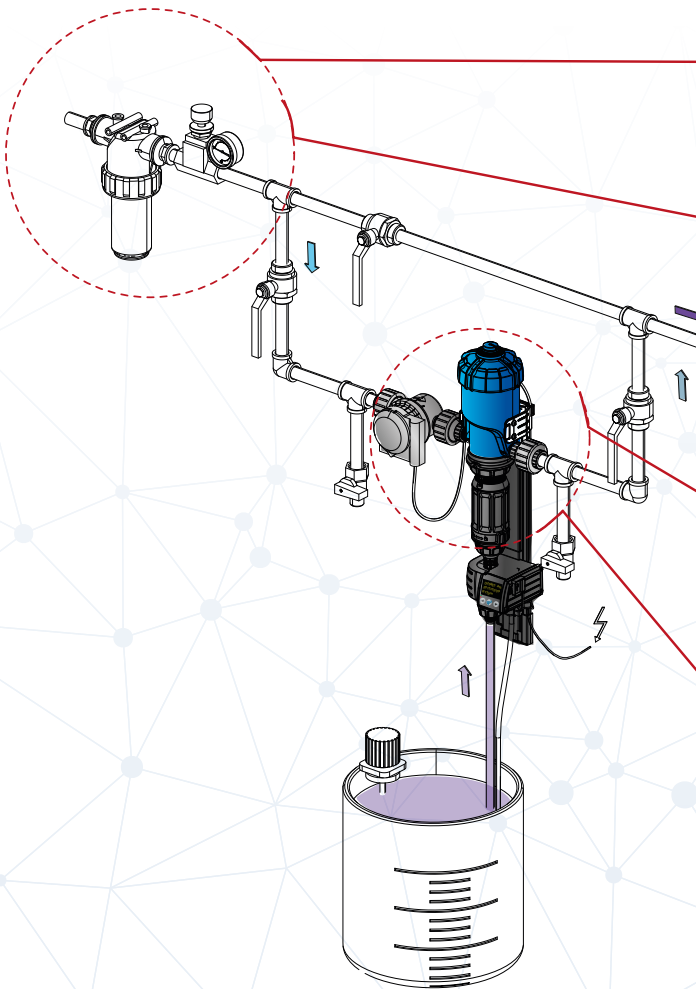
3

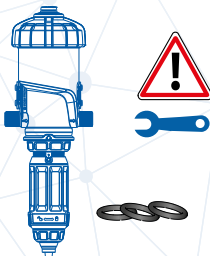
4

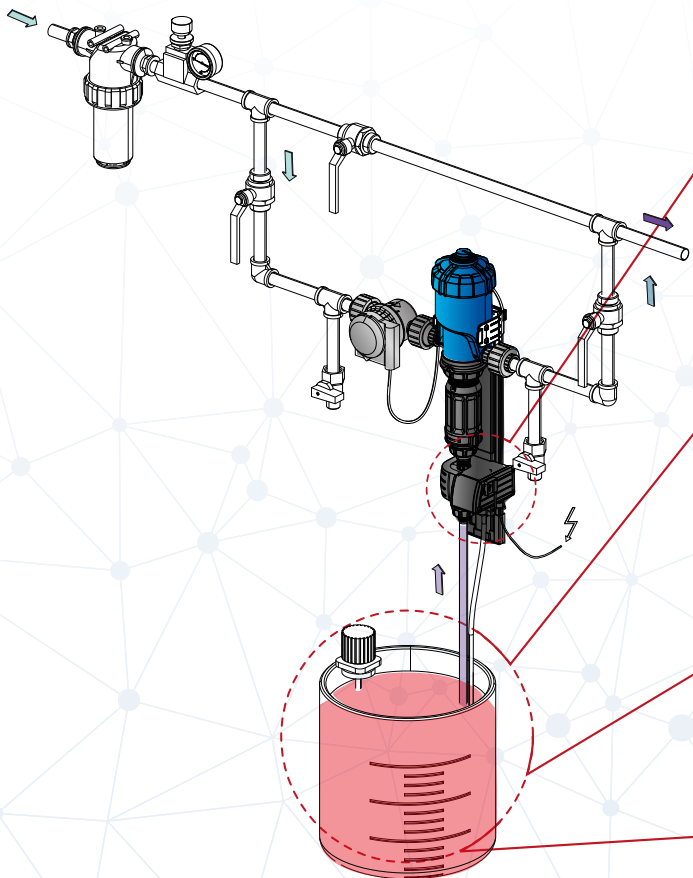
REC

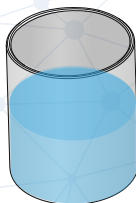
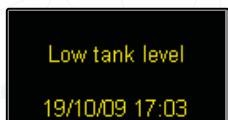














DOSATRON®

WATER POWERED DOSING TECHNOLOGY



SmartLink+



For complete information on the features and operations

Call Dosatron at
1-800-5238495 or 1-727-443-5404

www.dosatronusa.com



This document does not form a contractual engagement on the part of Dosatron International, LLC and is for information only. Dosatron International, LLC reserves the right to alter product specification or appearance without prior notice.

DOSATRON INTERNATIONAL, LLC
2090 Sunnysdale Blvd., Clearwater FL 33765

ET420 - QSUSD25ALN - 11/2020