



# DOSATRON®

WATER POWERED DOSING TECHNOLOGY



## D25RE2-IE - 11 GPM INTERACTIVE SCHEMATICS

### UNIT SPECIFICATIONS

- 1:500 - 1:50
- 4.3 - 85 PSI
- 3/4" NPT Connection

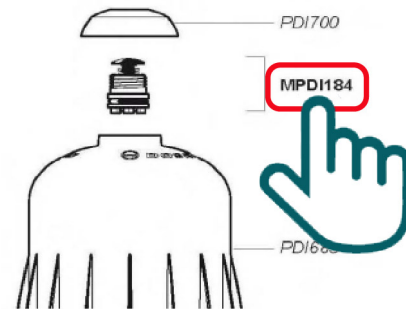
### SUGGESTED INSTALLATION

- 200 mesh/80 micron water filter prior to the unit
- One-way check valve down-stream from the unit for water hammer protection

### SUGGESTED MAINTENANCE

- Mini-Maintenance Kit  
Part #: [PJ117MINI-H](#)  
For regular maintenance
- Injection Seal Kit  
Part #: [PJ135](#)  
For yearly maintenance
- Rebuild Kit  
Part #: [MKD25RE2](#)  
Extends the life of your unit

### DOCUMENT INSTRUCTIONS

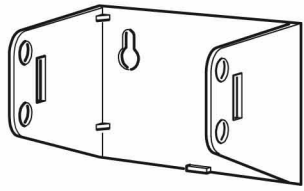
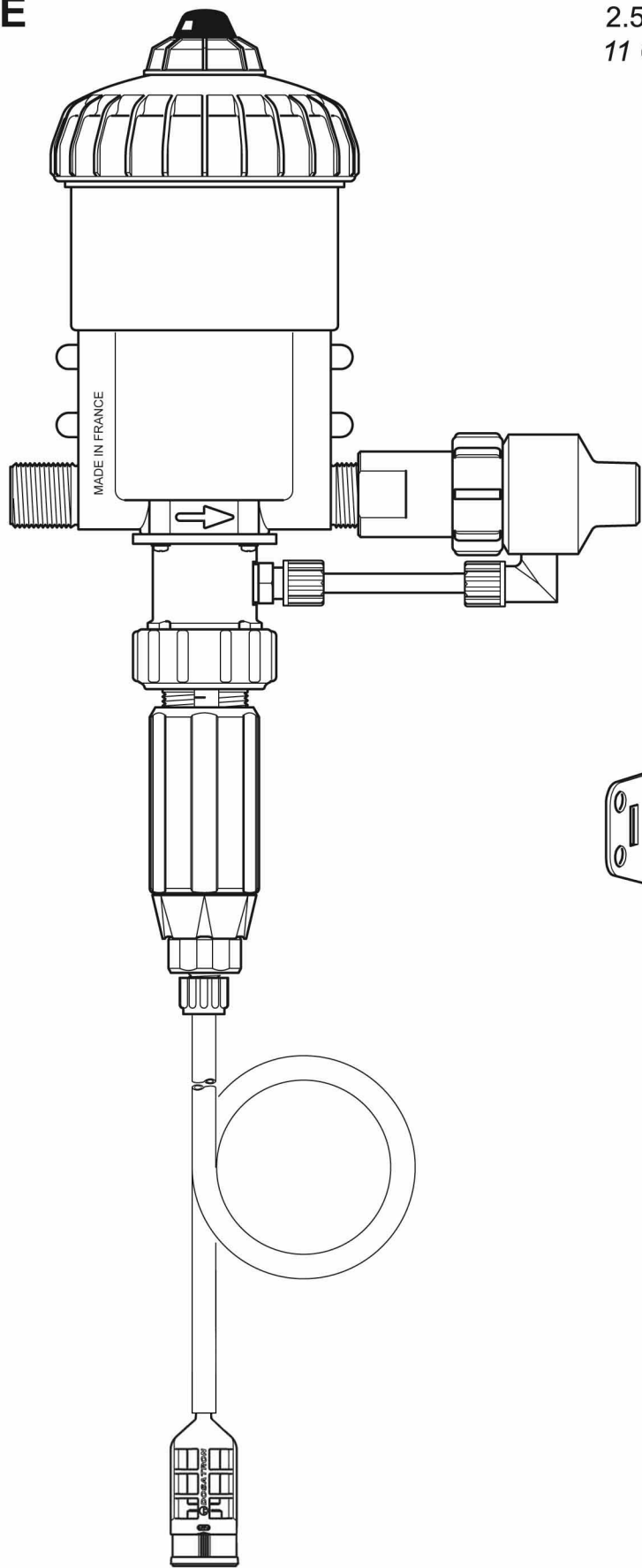


- Click on a part #, to visit item page
- Click arrow back from item page, to return to this document



# D25RE2-IE

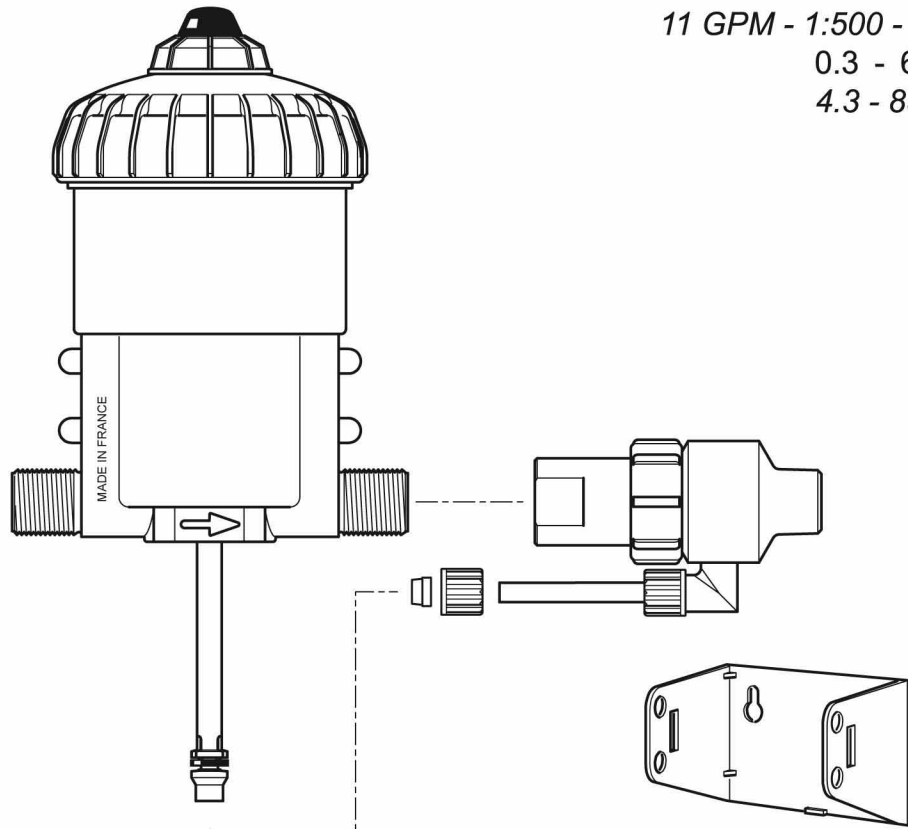
2.5 m<sup>3</sup>/h - 0.2 - 2%  
11 GPM - 1:500 - 1:50  
0.3 - 6 bar  
4.3 - 85 psi



# D25RE2-IE

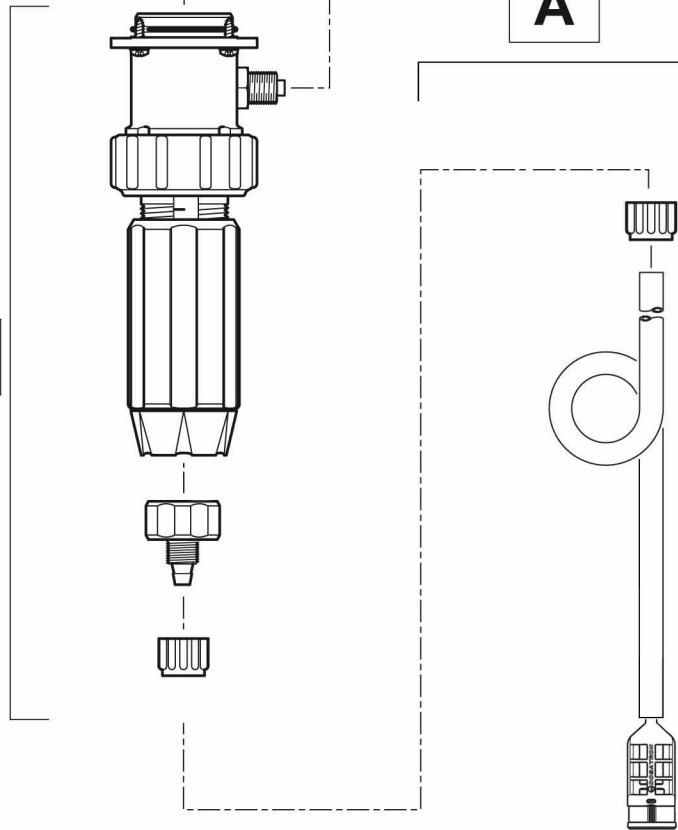
2.5 m<sup>3</sup>/h - 0.2 - 2%  
11 GPM - 1:500 - 1:50  
0.3 - 6 bar  
4.3 - 85 psi

**C+M**



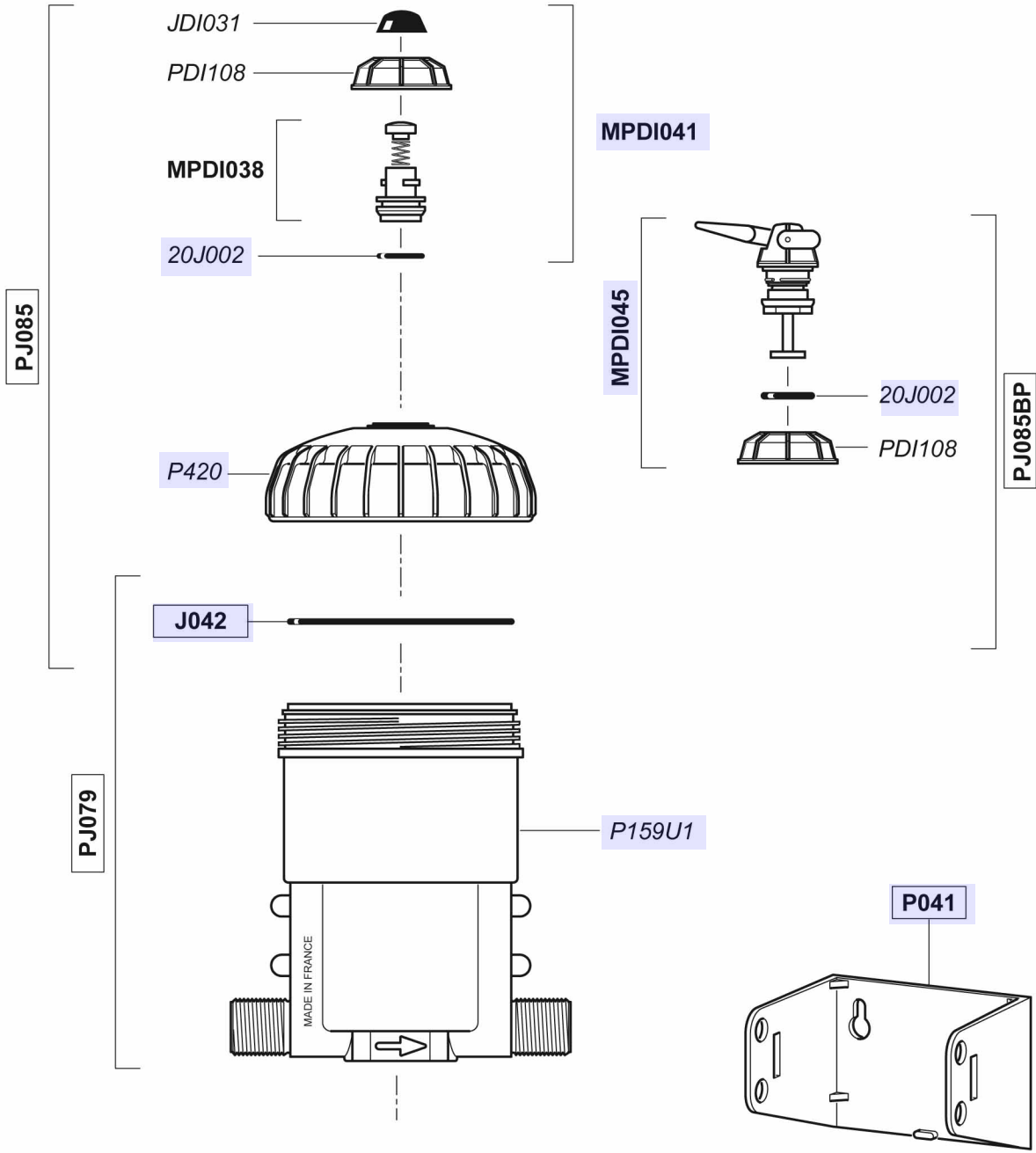
**A**

**D+IE**



# D25RE2-IE

2.5 m<sup>3</sup>/h - 0.2 - 2%  
 11 GPM - 1:500 - 1:50  
 0.3 - 6 bar  
 4.3 - 85 psi

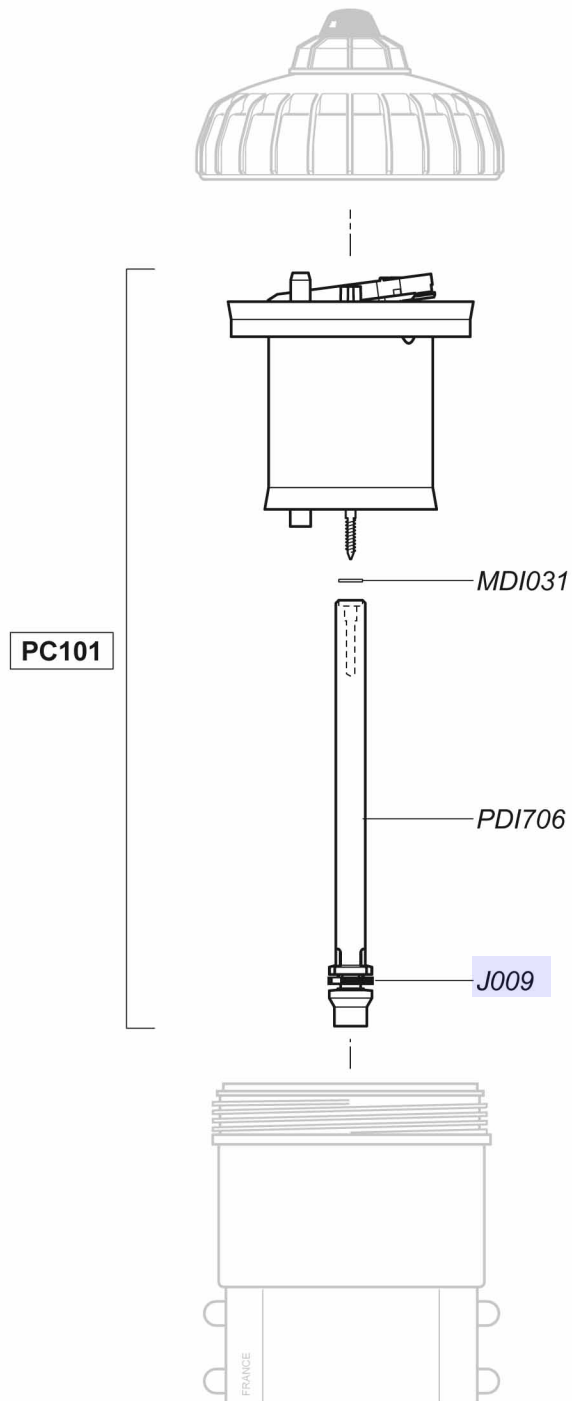


© DOSATRON INTERNATIONAL S.A. 2007  
 D25RE2-IE/01/07/D3



# D25RE2-IE

2.5 m<sup>3</sup>/h - 0.2 - 2%  
11 GPM - 1:500 - 1:50  
0.3 - 6 bar  
4.3 - 85 psi

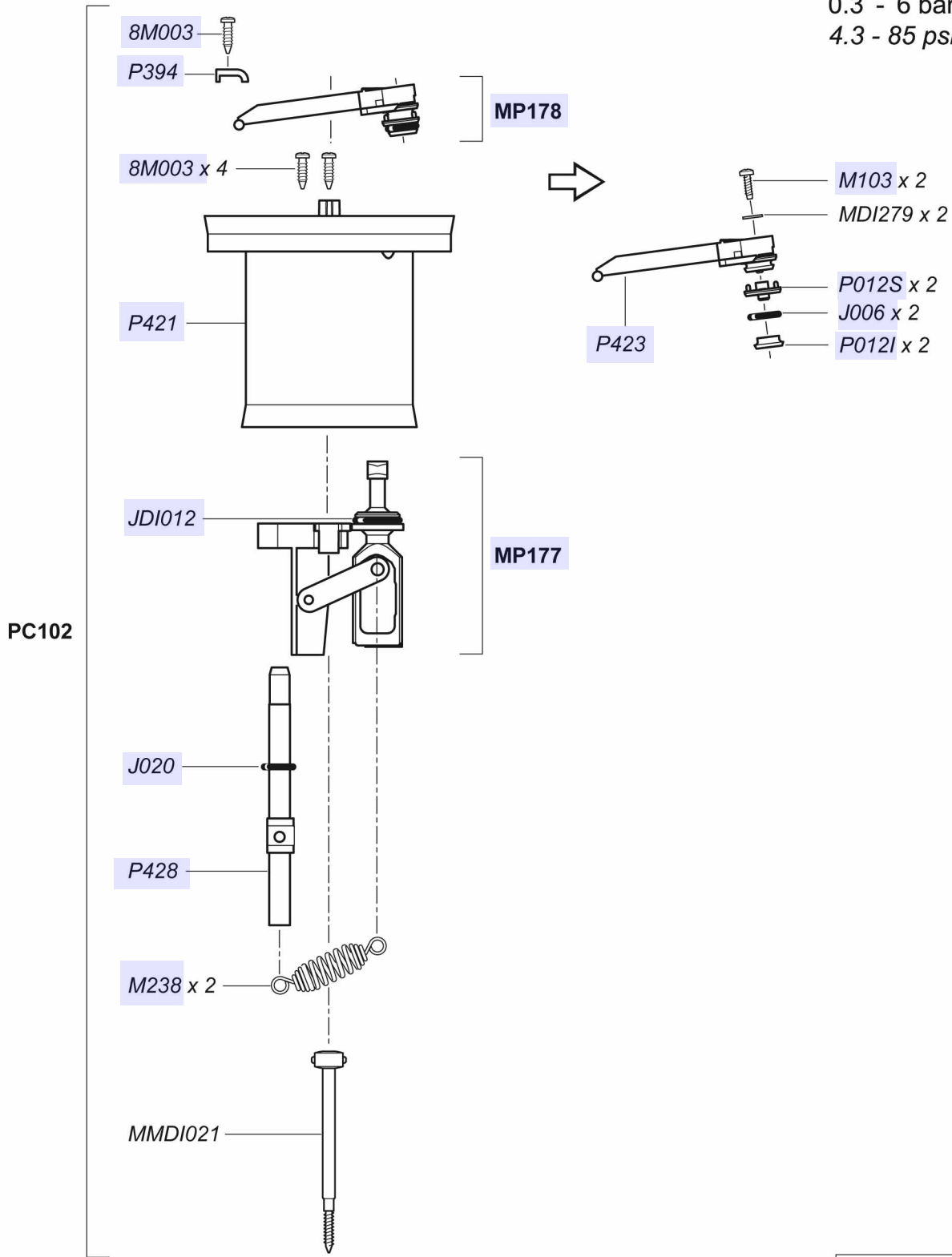


© DOSATRON INTERNATIONAL S.A. 2007  
D25RE2-IE/01/07/D4



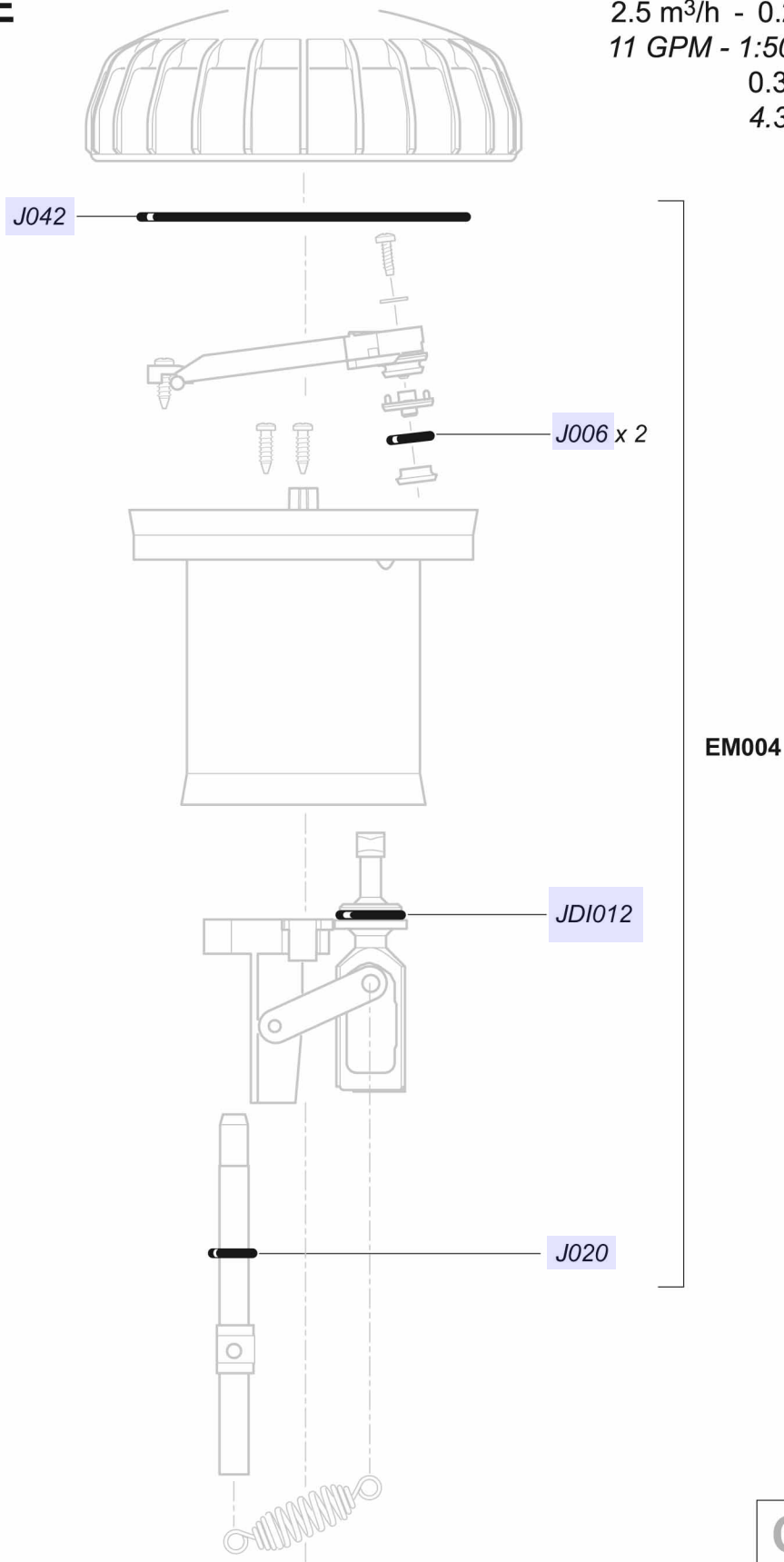
# D25RE2-IE

2.5 m<sup>3</sup>/h - 0.2 - 2%  
 11 GPM - 1:500 - 1:50  
 0.3 - 6 bar  
 4.3 - 85 psi



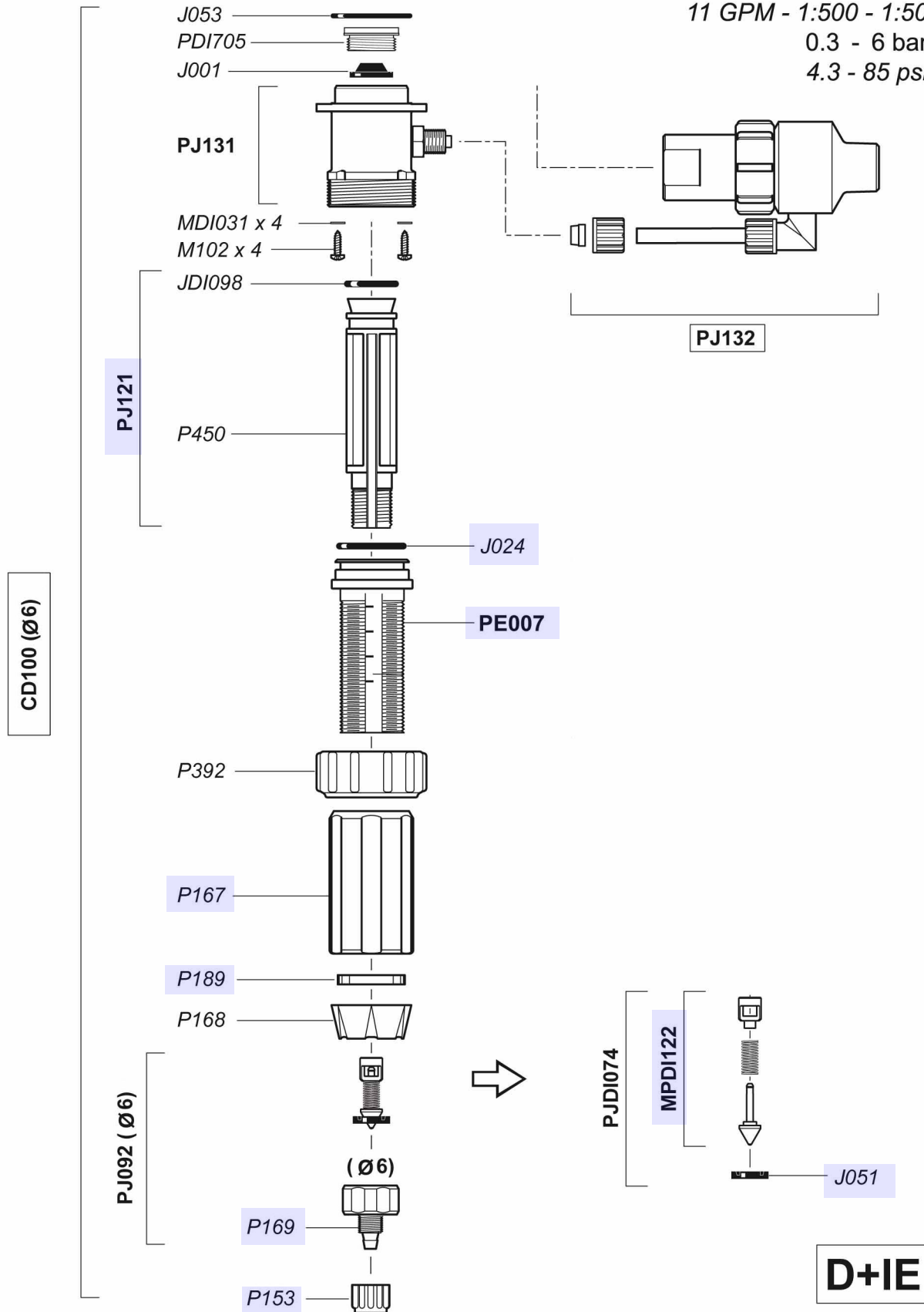
# D25RE2-IE

2.5 m<sup>3</sup>/h - 0.2 - 2%  
11 GPM - 1:500 - 1:50  
0.3 - 6 bar  
4.3 - 85 psi



# D25RE2-IE

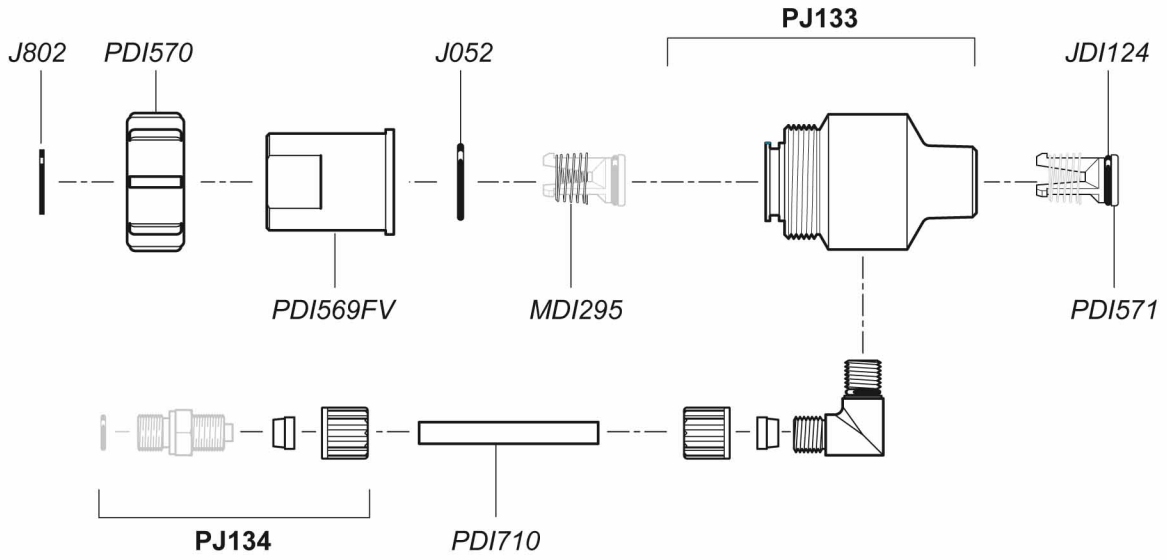
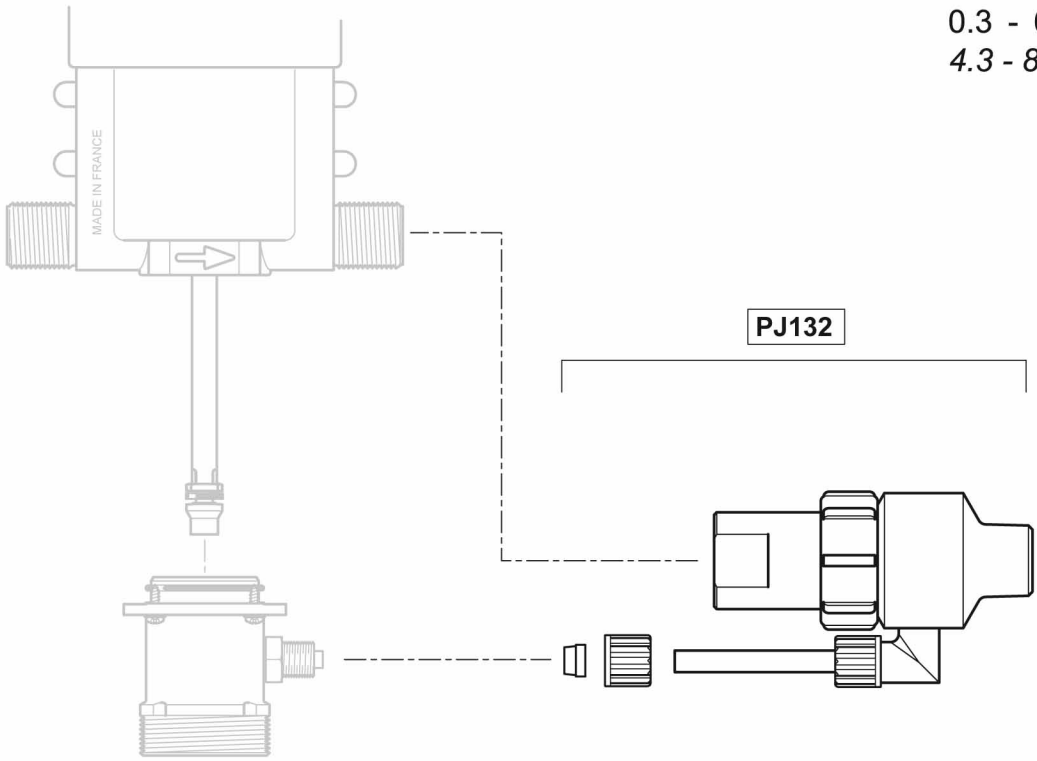
2.5 m<sup>3</sup>/h - 0.2 - 2%  
 11 GPM - 1:500 - 1:50  
 0.3 - 6 bar  
 4.3 - 85 psi





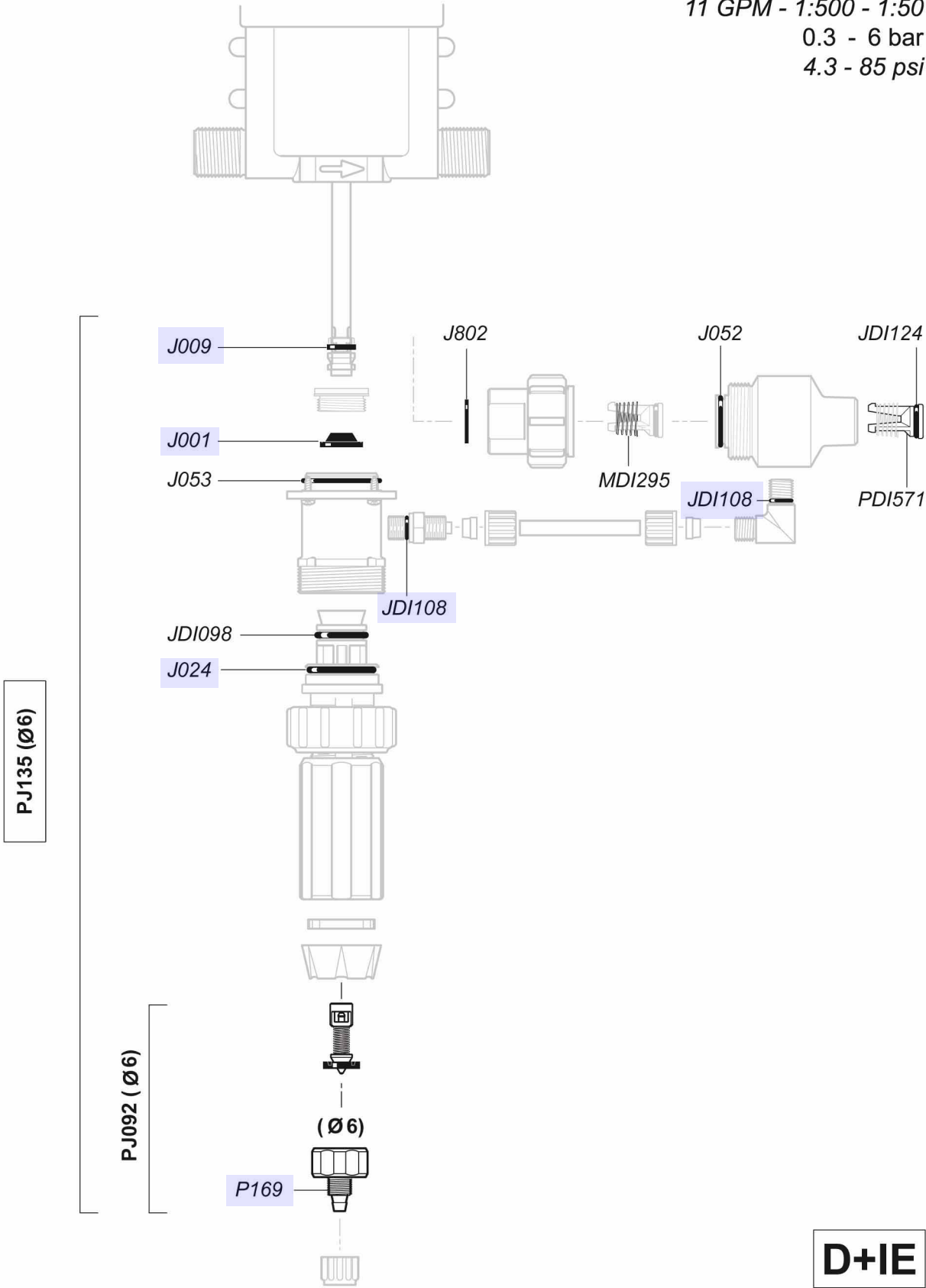
# D25RE2-IE

2.5 m<sup>3</sup>/h - 0.2 - 2%  
 11 GPM - 1:500 - 1:50  
 0.3 - 6 bar  
 4.3 - 85 psi



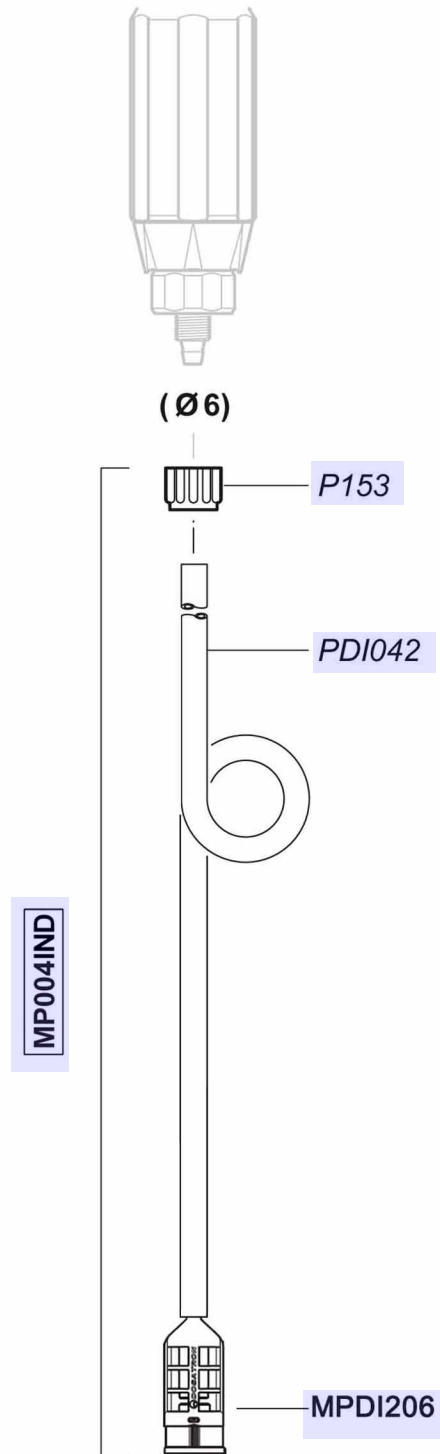
# D25RE2-IE

2.5 m<sup>3</sup>/h - 0.2 - 2%  
11 GPM - 1:500 - 1:50  
0.3 - 6 bar  
4.3 - 85 psi



# D25RE2-IE

2.5 m<sup>3</sup>/h - 0.2 - 2%  
11 GPM - 1:500 - 1:50  
0.3 - 6 bar  
4.3 - 85 psi



© DOSATRON INTERNATIONAL S.A. 2007  
D25RE2-IE/01/07/D10

A