



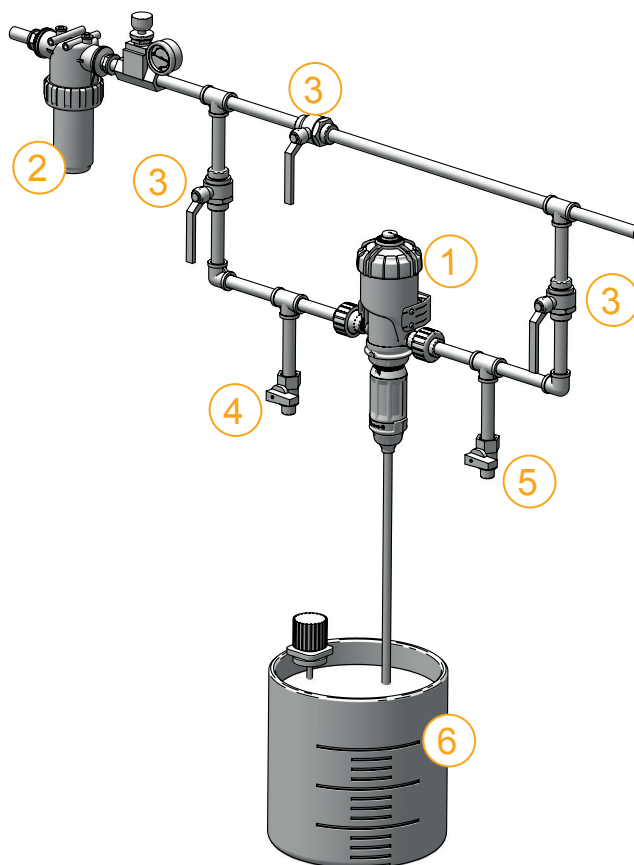
D25ALN

The NEW standard

- Accurate, reliable and homogeneous dosing
- Certified suitable for Food Contact (CE 1935/2004 & CE 2023/2006)
- Compatible with a wide range of veterinary treatments commonly used in Animal Health
- Quick and easy to maintain
- Compatible with the SmartDosing+ System

STANDARD INSTALLATION

- ① D25ALN
- ② Filter
- ③ By-pass valves
- ④ Clear water valve: preparing the stock solution & rinsing the tank
- ⑤ Fast priming valve/ rinsing/ Dosatron test valve
- ⑥ Mixing tank



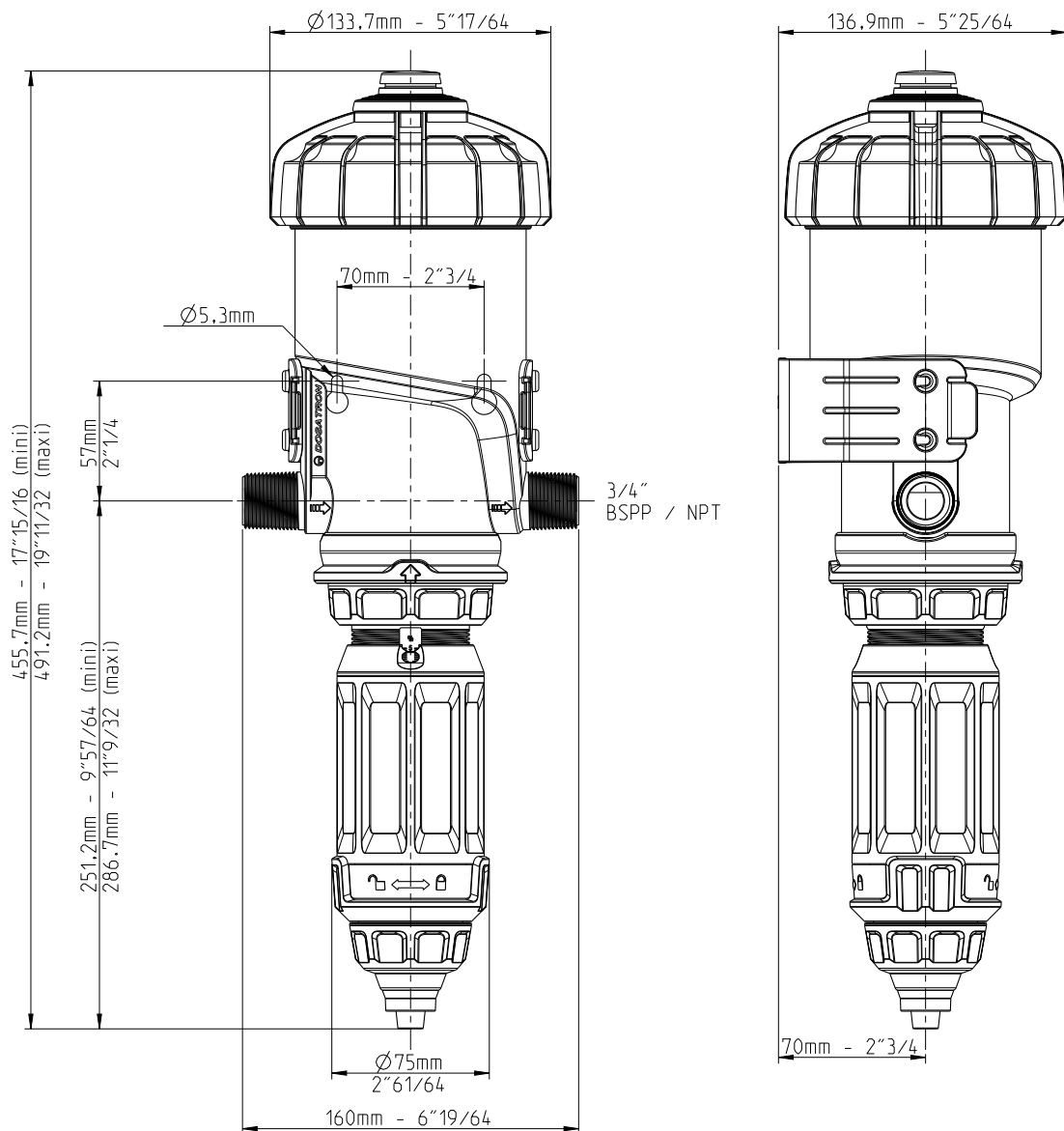
SPECIFICATIONS

		D25AL2N		D25AL5N	
		Min	Max	Min	Max
Operating water flow	l/h	10	2500	10	2500
	m ³ /h	0.01	2.5	0.01	2.5
	gpm	0.044	11	0.044	11
Operating pressure	bar	0.3	6	0.3	6
	psi	4.3	87	4.3	85
Pressure loss	bar	0.3	1.1	0.35	1.55
	psi	4.35	15.95	5.08	22.48
Injection rate	%	0.2	2	1	5
	1:	500	50	100	20
Injection flow rate	l/h	0.02	50	0.1	125
	gpm	0.000088	0.22	0.00044	0.55

REQUIREMENTS



ANIMAL HEALTH



		D25AL2N		D25AL5N	
Pump weight	kg	±1,36		±1,36	
	lbs	2.9		2.9	
Pump dimensions		Cm	Inch	Cm	Inch
	Diameter	14	5" 4/16	14	5" 4/16
	Min height	45	17" 4/5	45	17" 4/5
	Width	16	6" 5/16	16	6" 5/16
Packaging weight	kg	~2		~2	
	lbs	~4.4		~4.4	
Packaging dimensions		Cm	Inch	Cm	Inch
	Length	52	20" 1/2	52	20" 1/2
	Height	17.3	6" 3/4	17.3	6" 3/4
	Width	16.8	6" 3/5	16.8	6" 3/5

CARACTERISTIQUES

		D25ALN	
		Min	Max
Operating temperature	°C	5	40
	°F	41	104
Motor capacity	L	0.44	
	US GALL	0.11	
Water flow calculation	Number of clacks in 15 seconds	l/h	GPM
	4	209	0.92
	8	418	1.84
	16	835	3.67
	32	1670	7.35
	40	2088	9.19
	46	2506	11.02
Connections	Type	NPT/BSP M Ø 20x27 mm	
	Inch	3/4"	

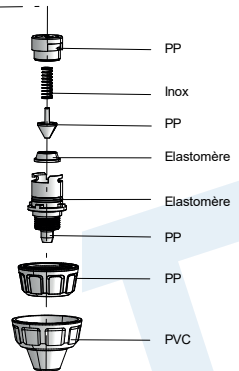
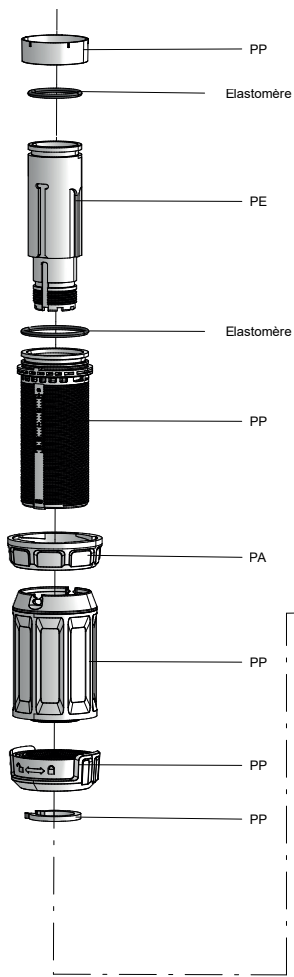
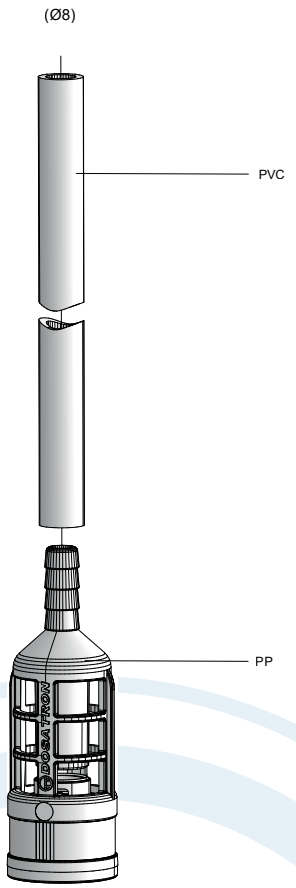
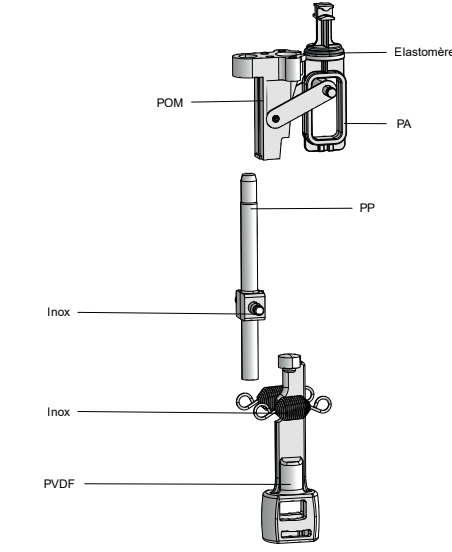
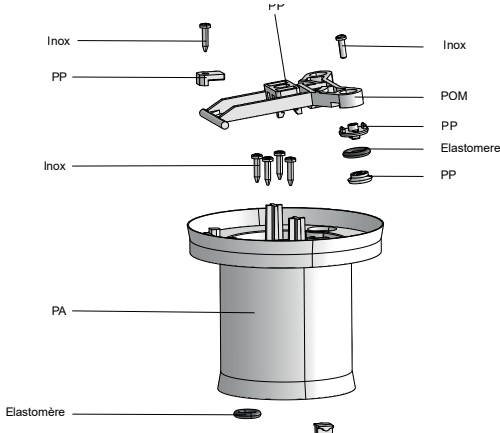
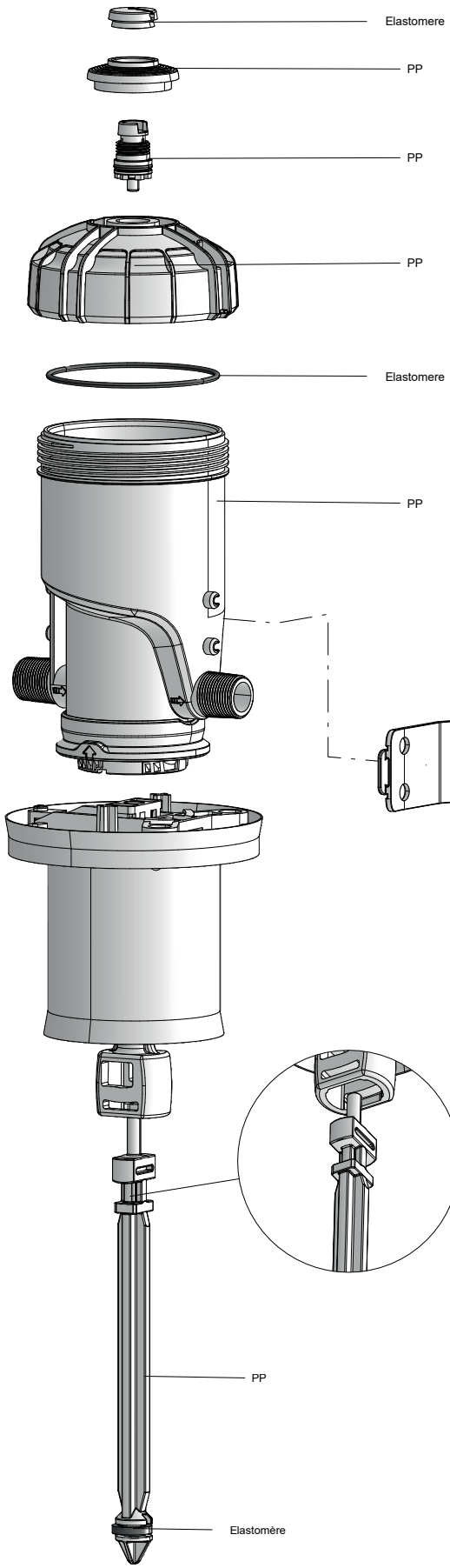
EQUIPMENTS

		D25AL2N		D25AL5N	
		Serial	Optional	Serial	Optional
Dosing seals	VF	x		x	
Bleed		x		x	
Wall support		x		x	
Suction hose	1.75 m	x		x	
Strainer	filter 300µ	x		x	
Certifications	Food contact (CE 1935/2004 & CE 2023/2006)	x		x	

MATERIALS

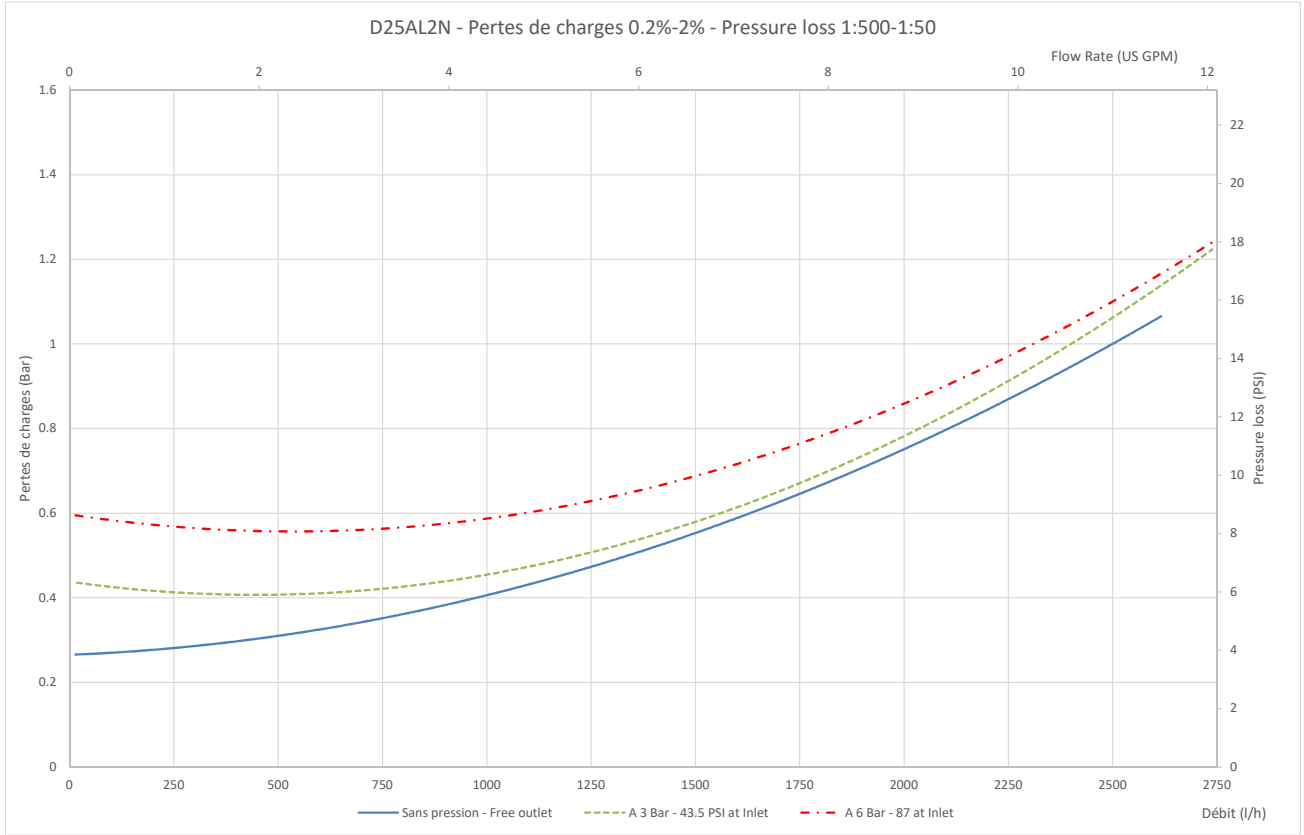


ANIMAL HEALTH

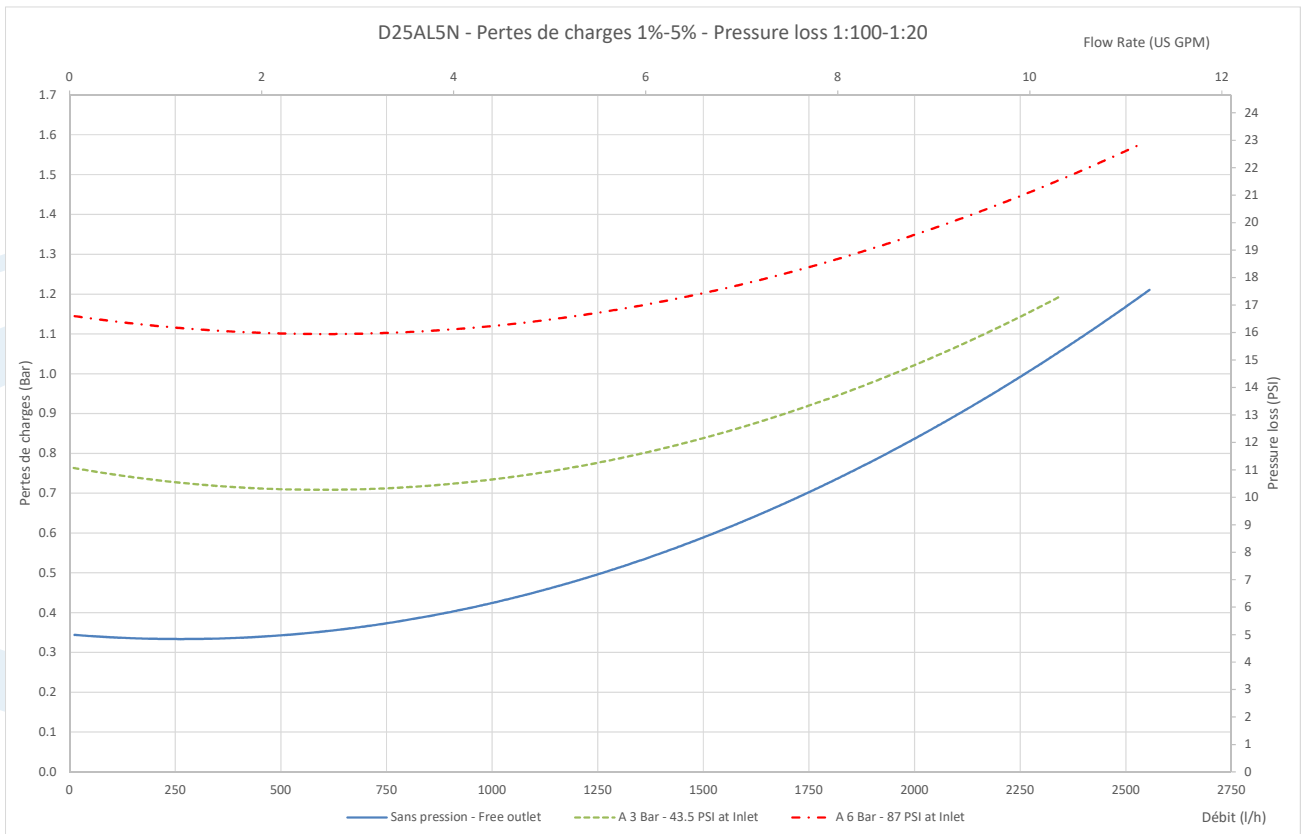


PP: Polypropylène
 PA: Polyamide

D25AL2N



D25AL5N

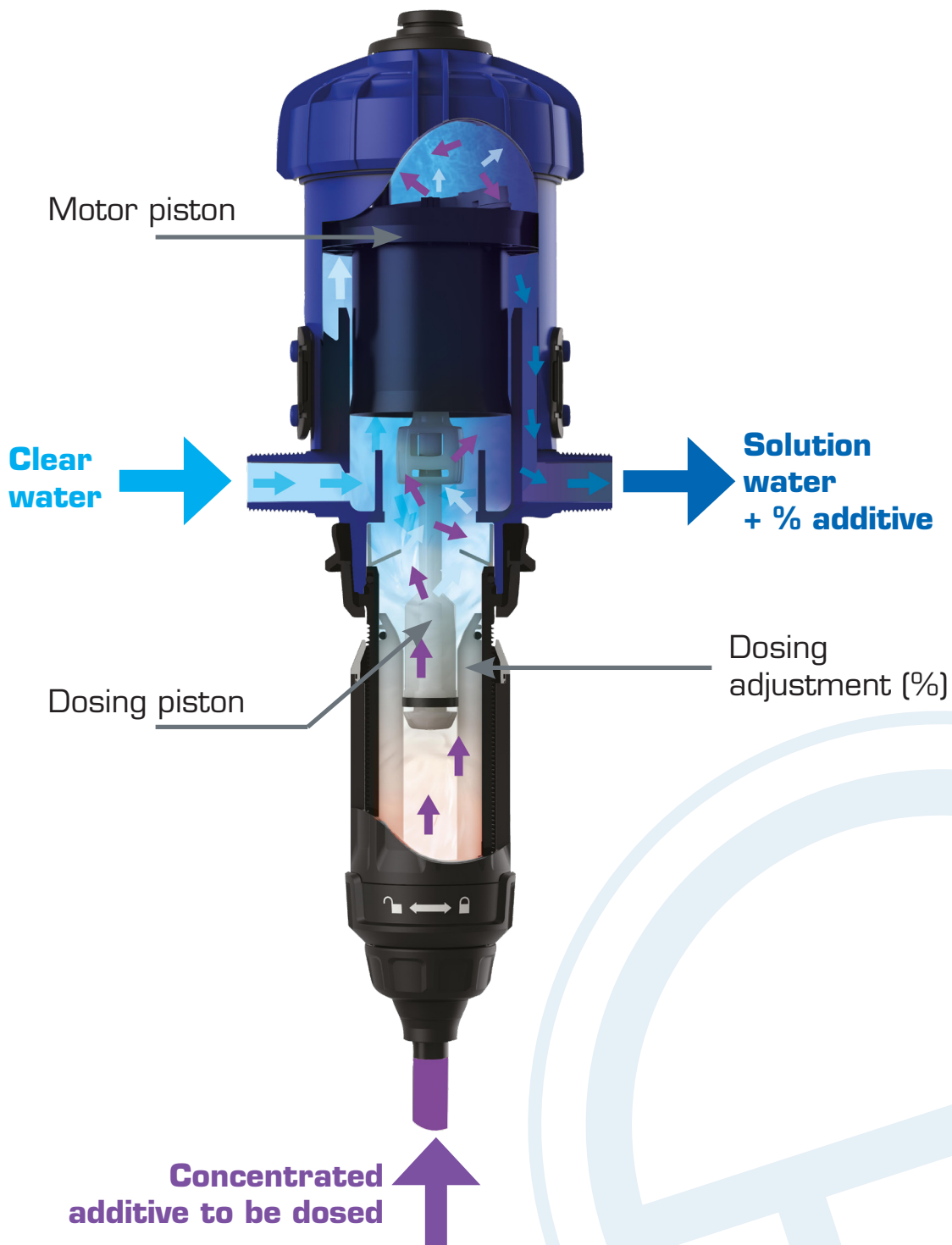


A unique technology associating all dosing functions

Installed directly in the water supply line, the **DOSATRON** operates by using water pressure **as the power source**. The water activates the DOSATRON, which takes up the required percentage of concentrate. Inside the DOSATRON, the concentrate is mixed with the water.

The water pressure forces the solution downstream.

The dose of concentrate will be directly proportional to the volume of water entering the DOSATRON, regardless of variations in flow or pressure which may occur in the main line.



www.dosatron.com



DOSATRON APP
Your daily assistant



©DOSATRON INTERNATIONAL S.A.S 2023

This document does not constitute a contractual engagement and is for information purposes only.
DOSATRON INTERNATIONAL reserves the right to modify its devices at any time. This document is the exclusive property of DOSATRON INTERNATIONAL.
Reproduction is forbidden without written authorization - Intellectual Property Code book I and IV and other applicable texts.