



DOSATRON®

WATER POWERED DOSING TECHNOLOGY



D8RE2 - 40 GPM INTERACTIVE SCHEMATICS

UNIT SPECIFICATIONS

- 1:500 - 1:50
- 2.2 - 116 PSI
- 1 1/2" NPT Connection

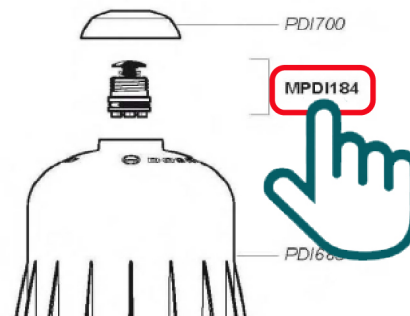
SUGGESTED INSTALLATION

- 200 mesh/80 micron water filter prior to the unit
- One-way check valve down-stream from the unit for water hammer protection

SUGGESTED MAINTENANCE

- Mini-Maintenance Kit
Part #: [PJDI120VMINI-H](#)
For regular maintenance
- Injection Seal Kit
Part #: [PJDI120V](#)
For yearly maintenance

DOCUMENT INSTRUCTIONS

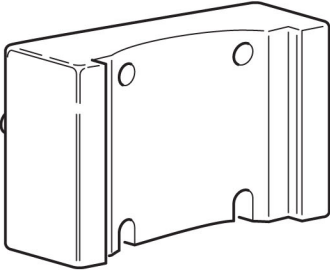
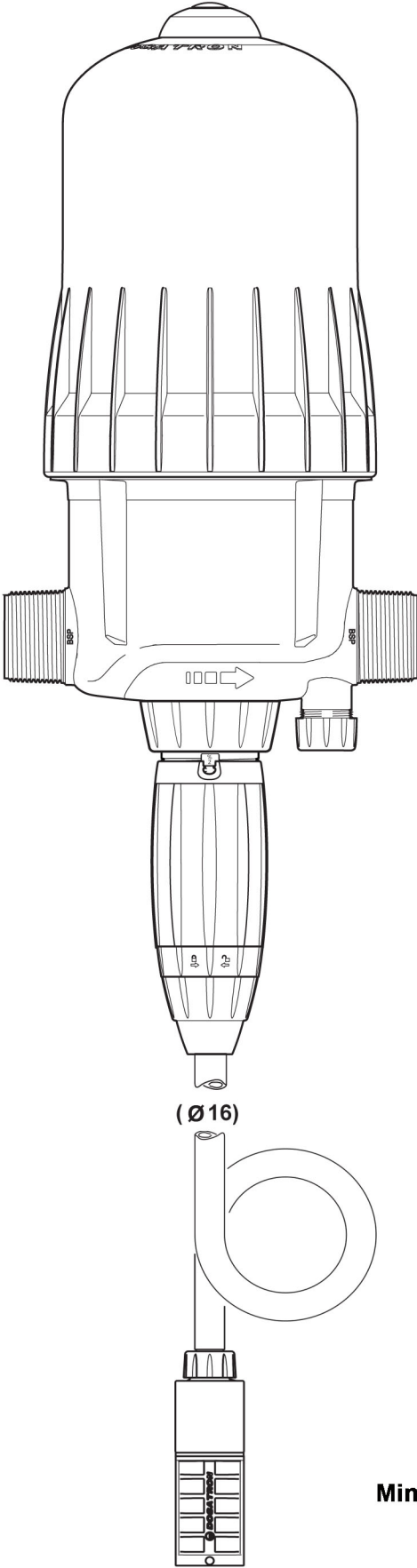


- Click on a part #, to visit item page
- Click arrow back from item page, to return to this document



D8RE2

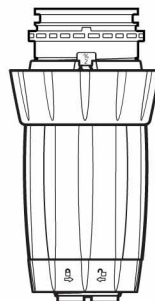
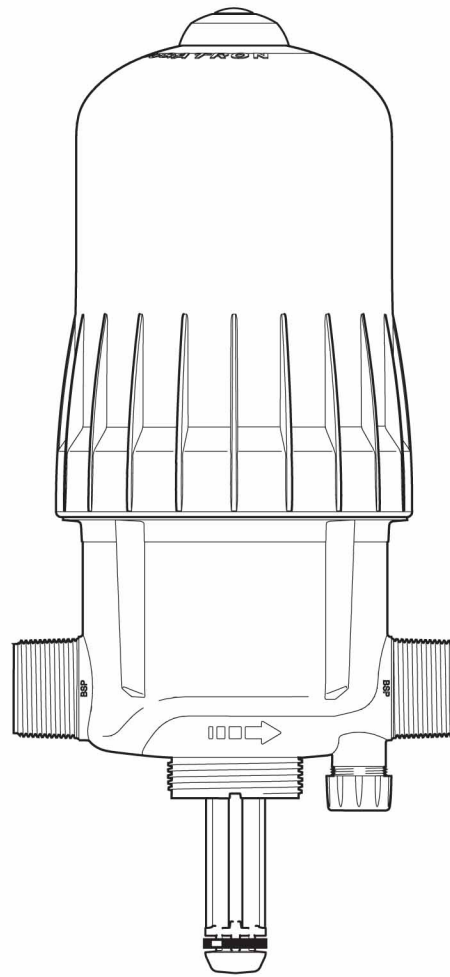
8 m³/h - 0.2 - 2%
40 GPM - 1:500 - 1:50
0.15 - 8 bar
2.2 - 116 psi



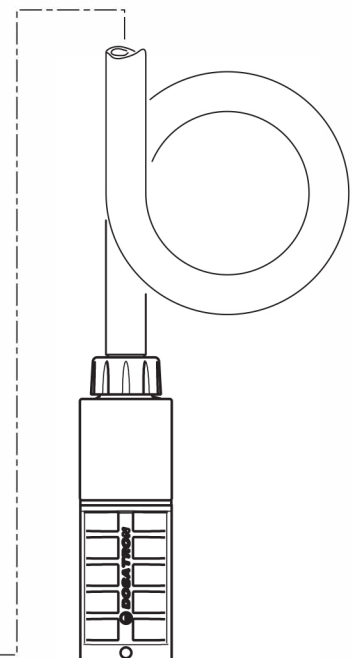
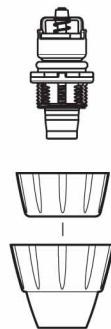
Injection Seal Kit Part #: PJD1120V
Mini Maintenance Kit #: PJD1120VMINI-H

D8RE2

8 m³/h - 0.2 - 2%
40 GPM - 1:500 - 1:50
0.15 - 8 bar
2.2 - 116 psi

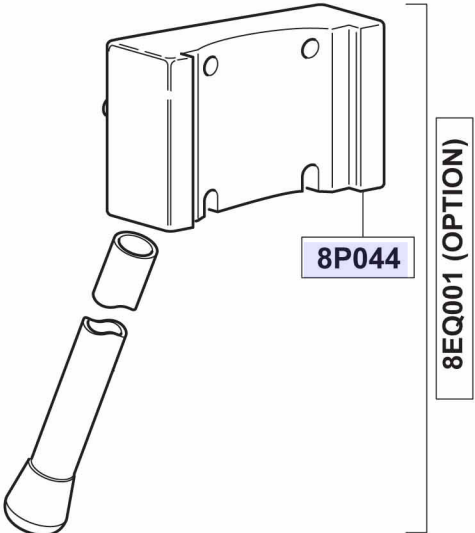
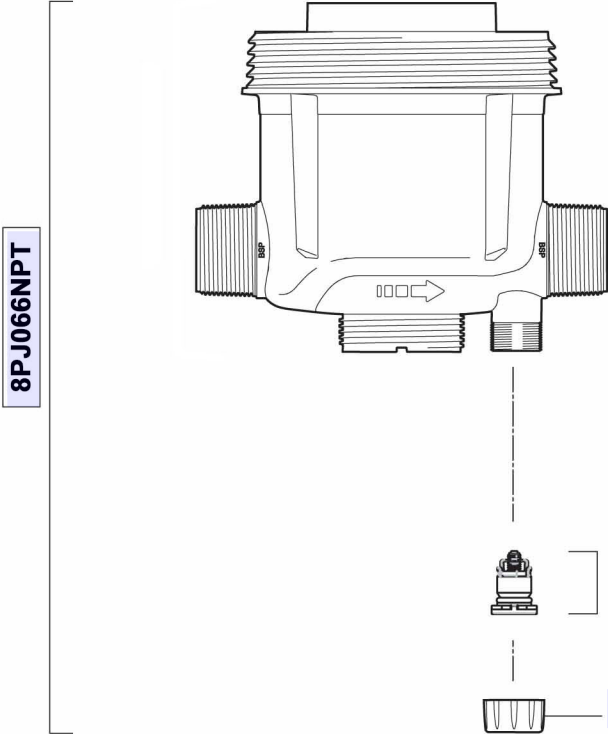
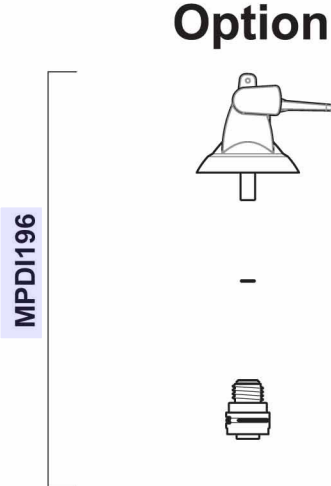
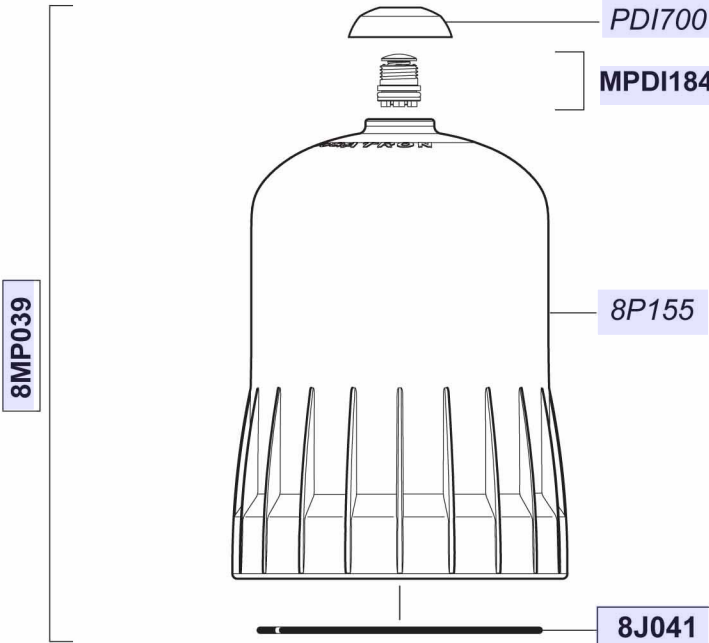


(Ø 16)



D8RE2

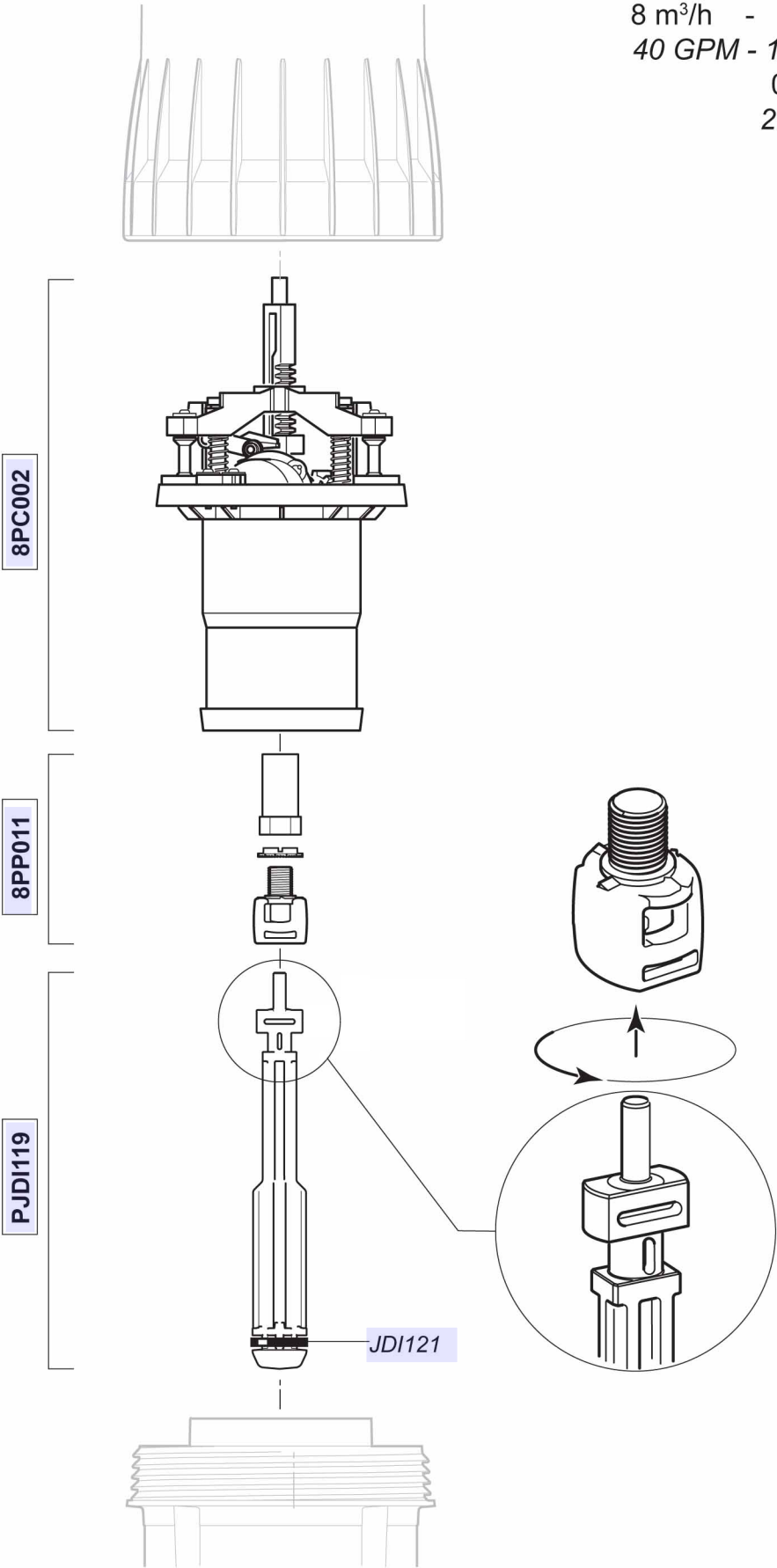
8 m³/h - 0.2 - 2%
 40 GPM - 1:500 - 1:50
 0.15 - 8 bar
 2.2 - 116 psi



© DOSATRON INTERNATIONAL S.A. S 2012
 D8RE2/0612/ID3

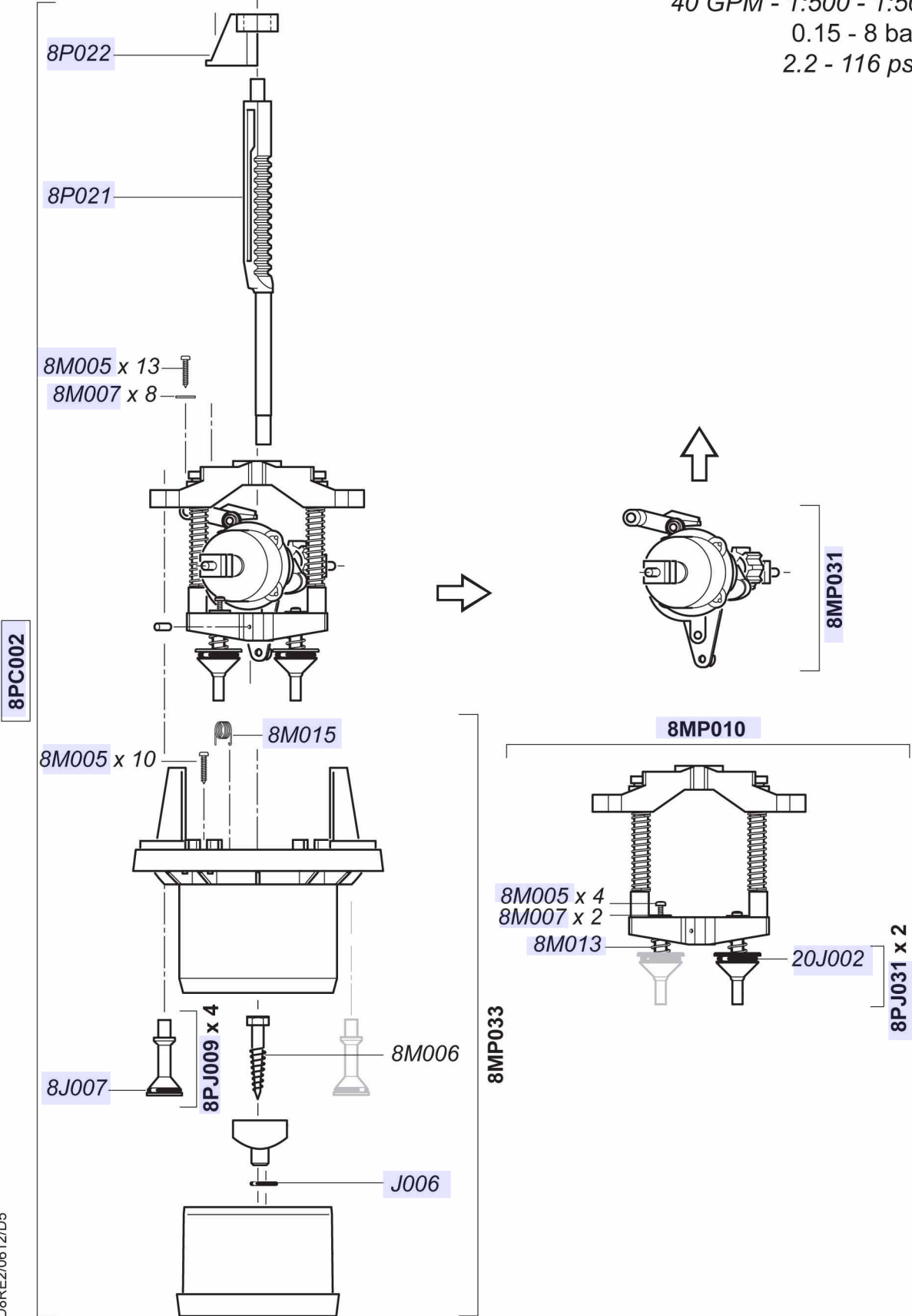
D8RE2

8 m³/h - 0.2 - 2%
40 GPM - 1:500 - 1:50
0.15 - 8 bar
2.2 - 116 psi



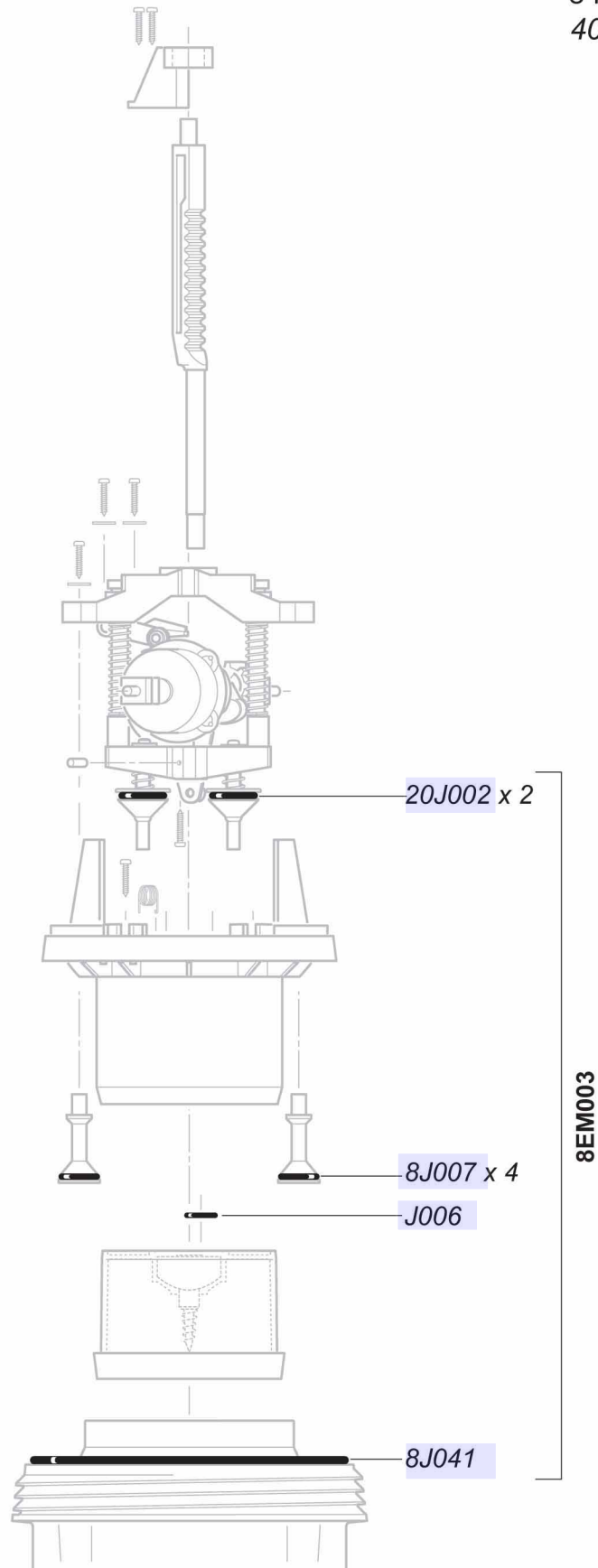
D8RE2

8 m³/h - 0.2 - 2%
 40 GPM - 1:500 - 1:50
 0.15 - 8 bar
 2.2 - 116 psi



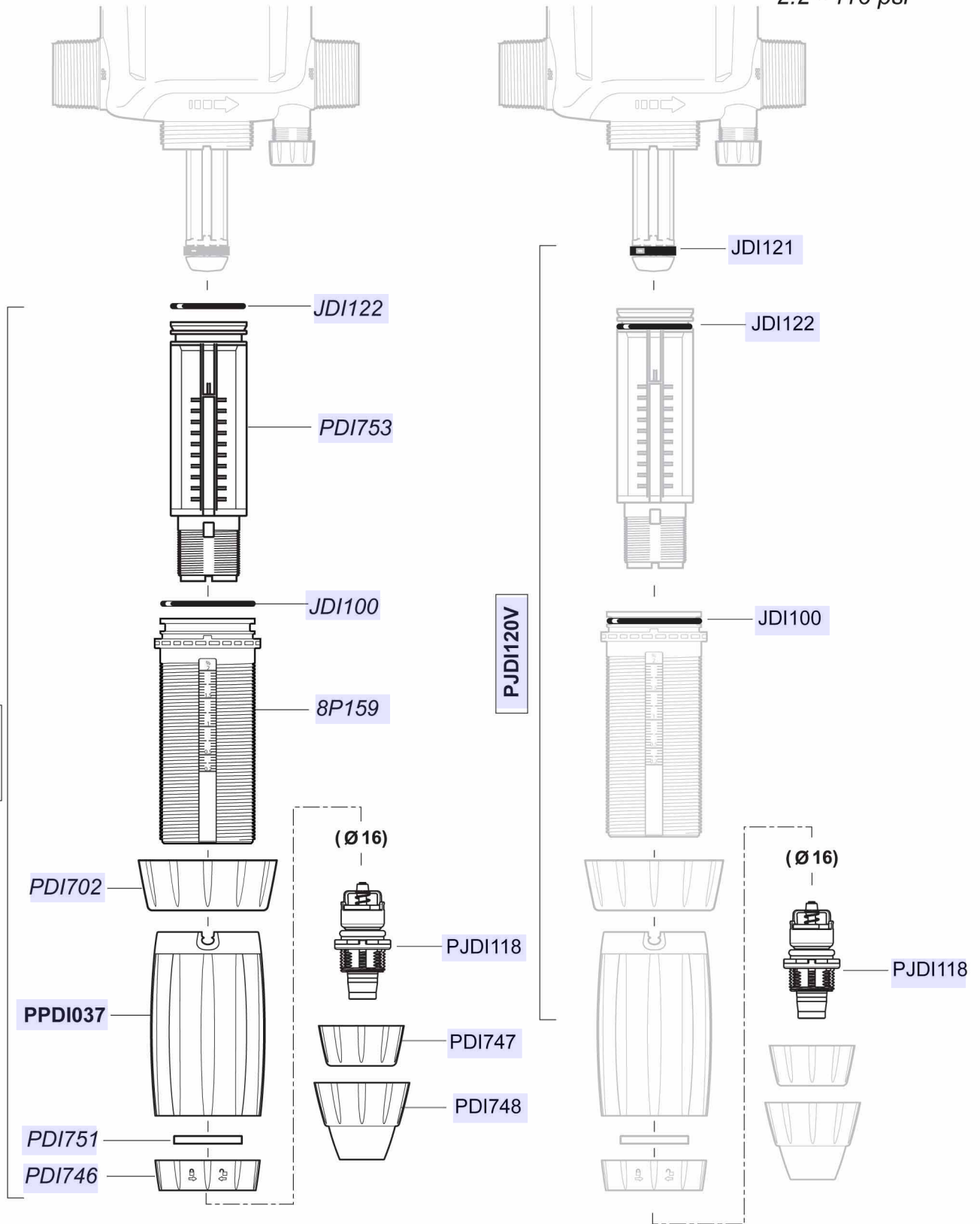
D8RE2

8 m³/h - 0.2 - 2%
40 GPM - 1:500 - 1:50
0.15 - 8 bar
2.2 - 116 psi



D8RE2

8 m³/h - 0.2 - 2%
 40 GPM - 1:500 - 1:50
 0.15 - 8 bar
 2.2 - 116 psi



D8RE2

8 m³/h - 0.2 - 2%
40 GPM - 1:500 - 1:50
0.15 - 8 bar
2.2 - 116 psi

4.3 - 85 psi

