



DOSATRON®

WATER POWERED DOSING TECHNOLOGY



D25RE10-IE - 8.8 GPM INTERACTIVE SCHEMATICS

UNIT SPECIFICATIONS

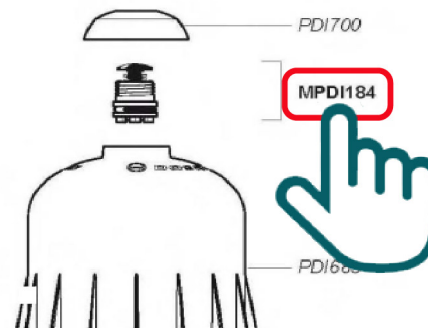
- 1:33 - 1:10
- 4.3 - 58 PSI
- 3/4" NPT Connection

SUGGESTED INSTALLATION

- 200 mesh/80 micron water filter prior to the unit
- One-way check valve down-stream from the unit for water hammer protection

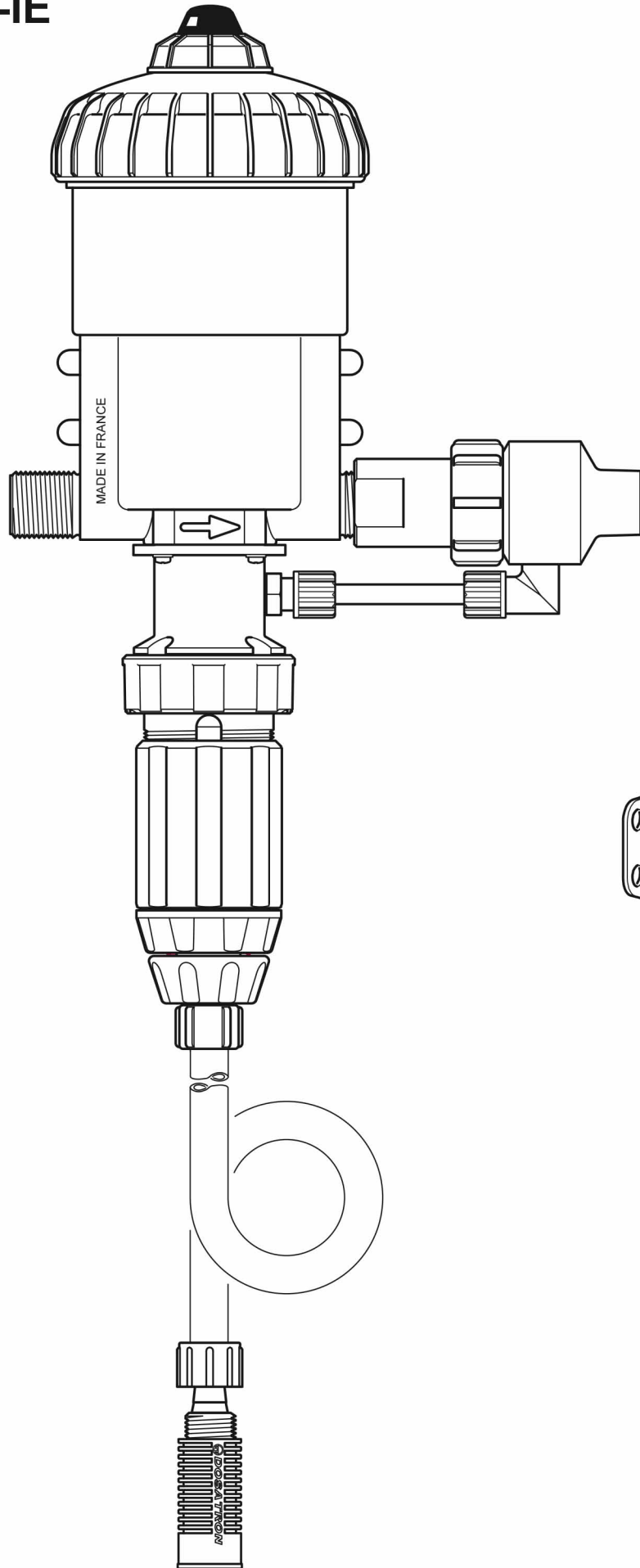
DOCUMENT INSTRUCTIONS

- Click on a part #, to visit item page
- Click arrow back from item page, to return to this document



D25RE10-IE

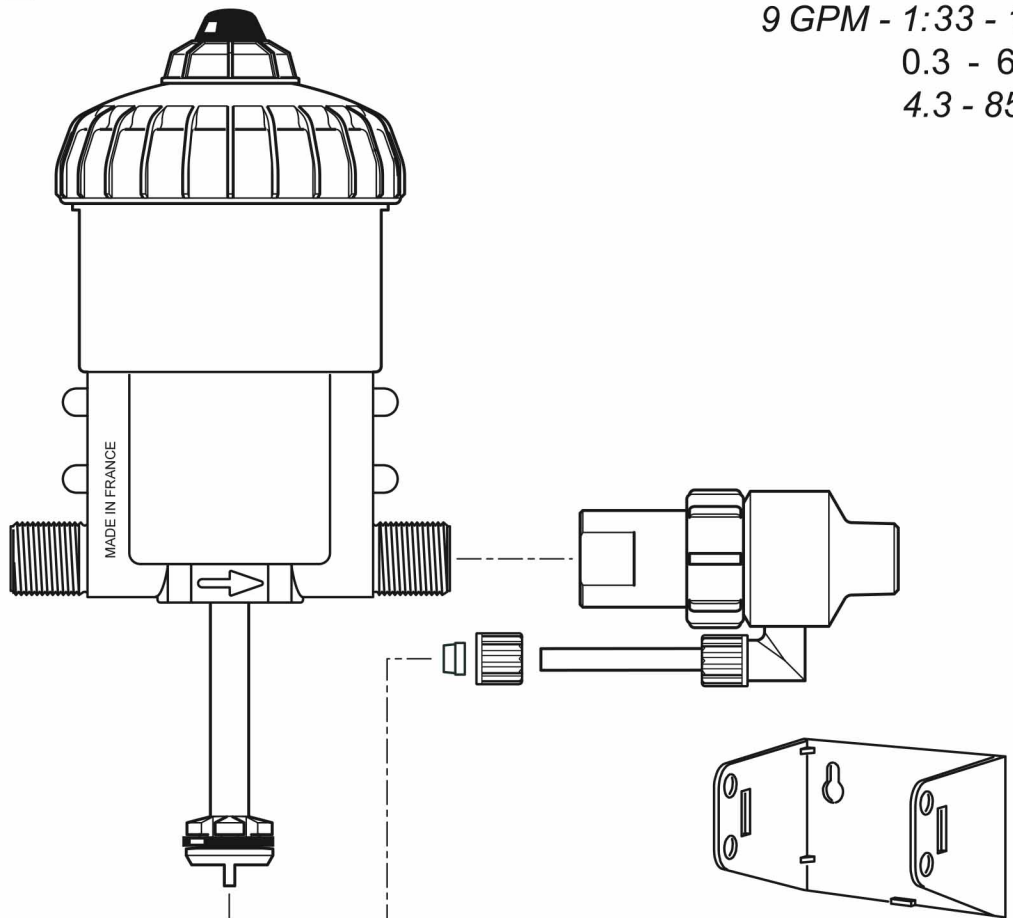
2 m³/h - 3 - 10%
9 GPM - 1:33 - 1:10
0.3 - 6 bar
4.3 - 85 psi



D25RE10-IE

2 m³/h - 3 - 10%
9 GPM - 1:33 - 1:10
0.3 - 6 bar
4.3 - 85 psi

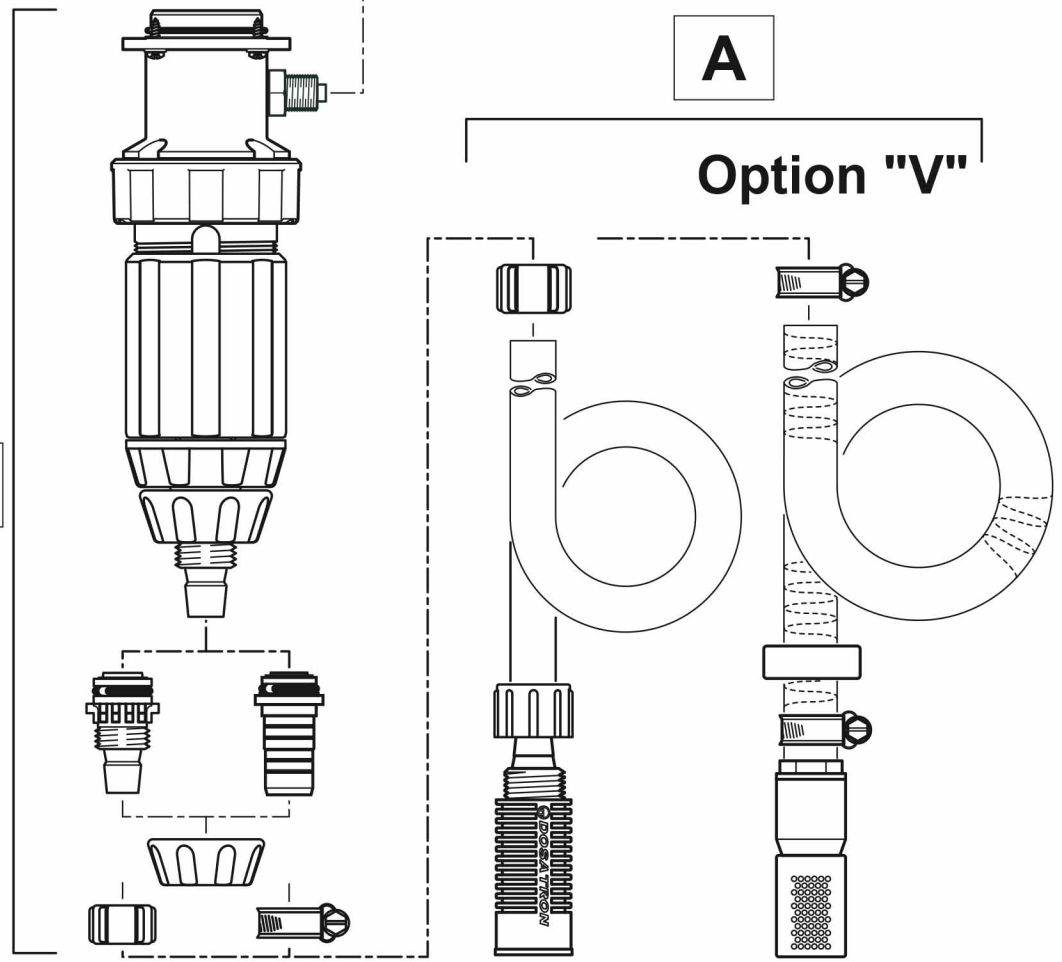
C+M



A

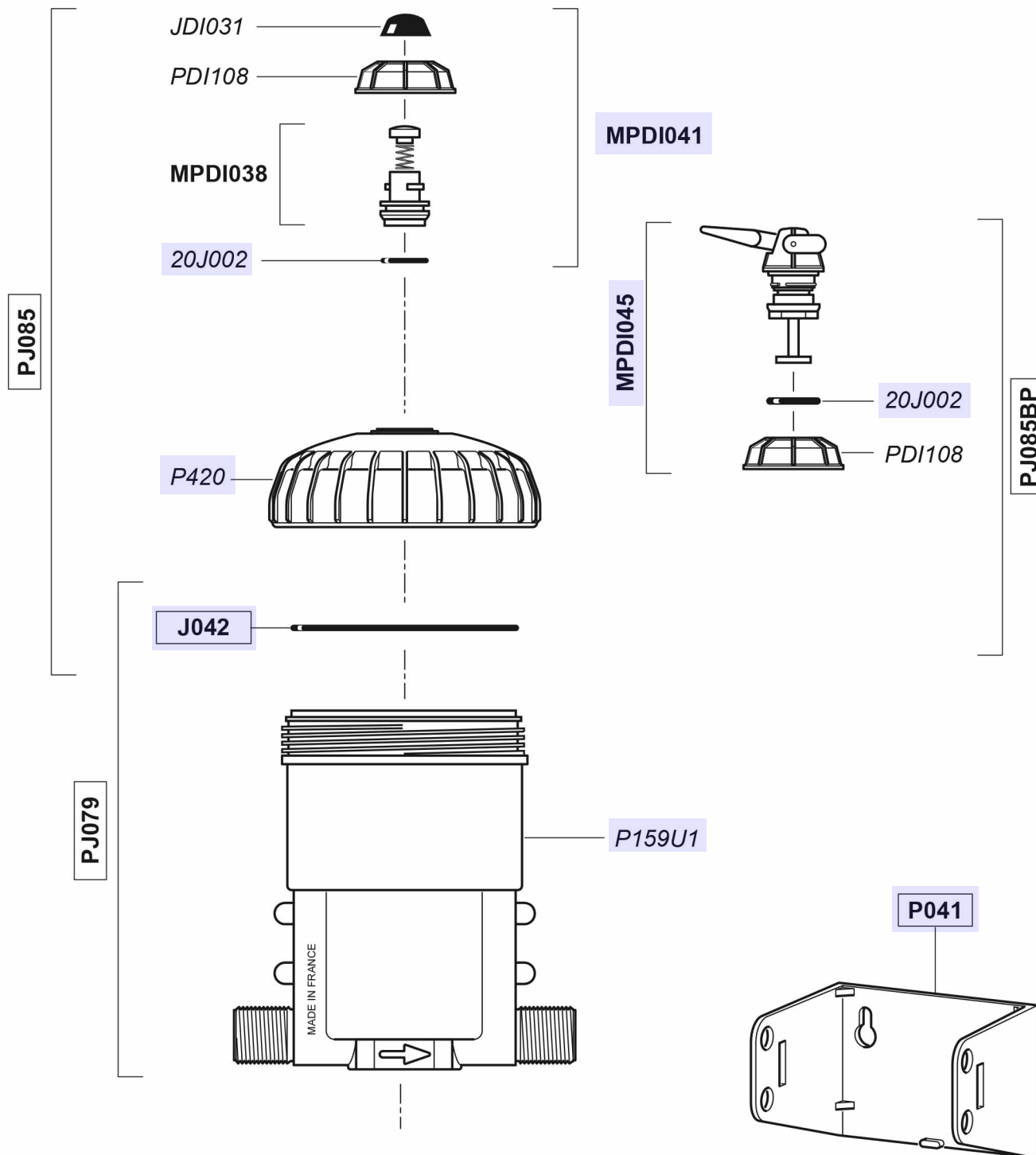
Option "V"

D+IE



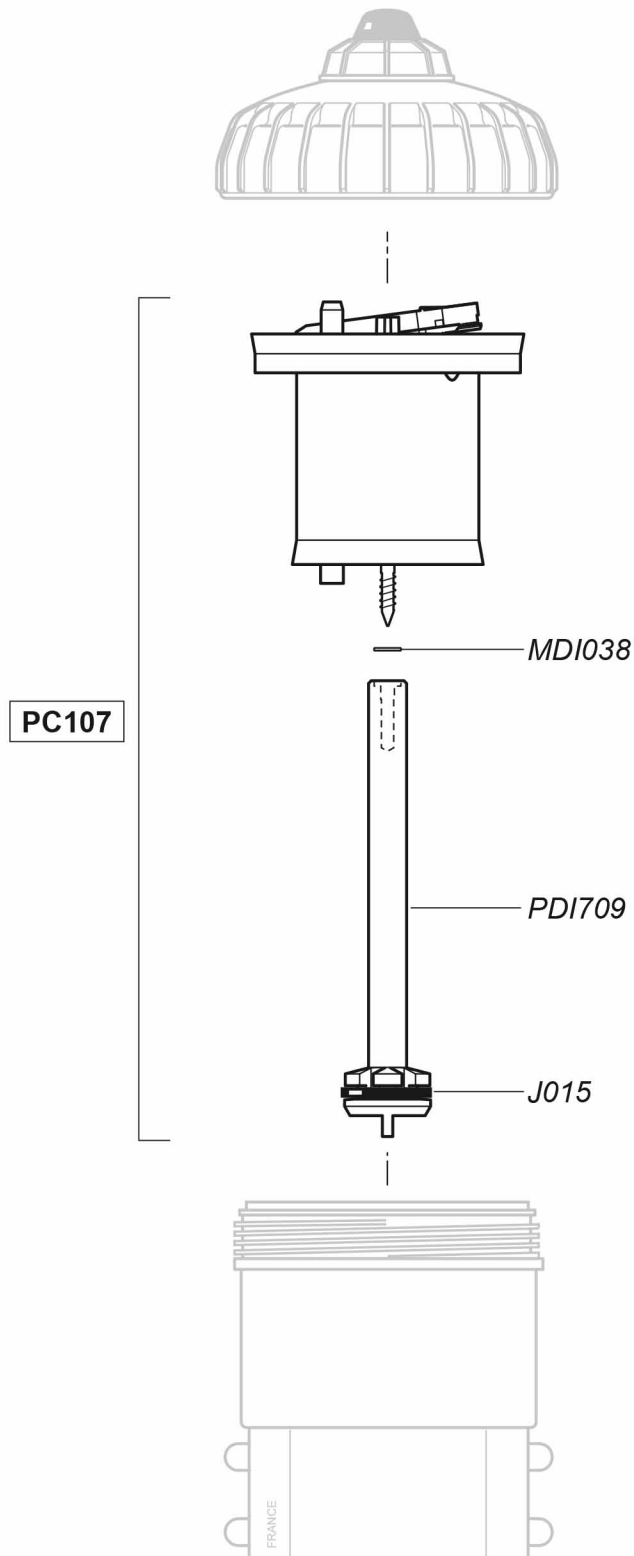
D25RE10-IE

2 m³/h - 3 - 10%
9 GPM - 1:33 - 1:10
0.3 - 6 bar
4.3 - 85 psi



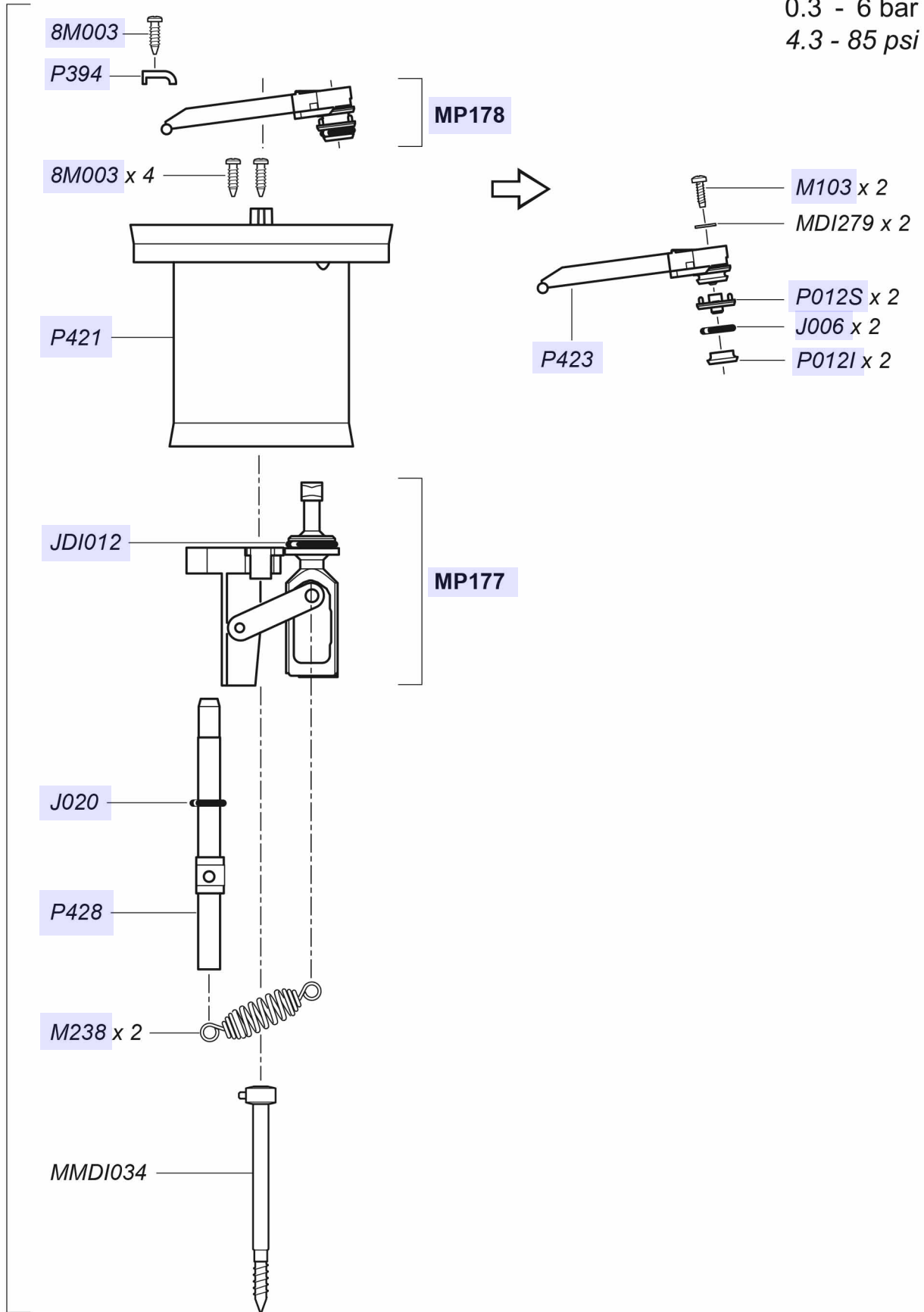
D25RE10-IE

2 m³/h - 3 - 10%
9 GPM - 1:33 - 1:10
0.3 - 6 bar
4.3 - 85 psi



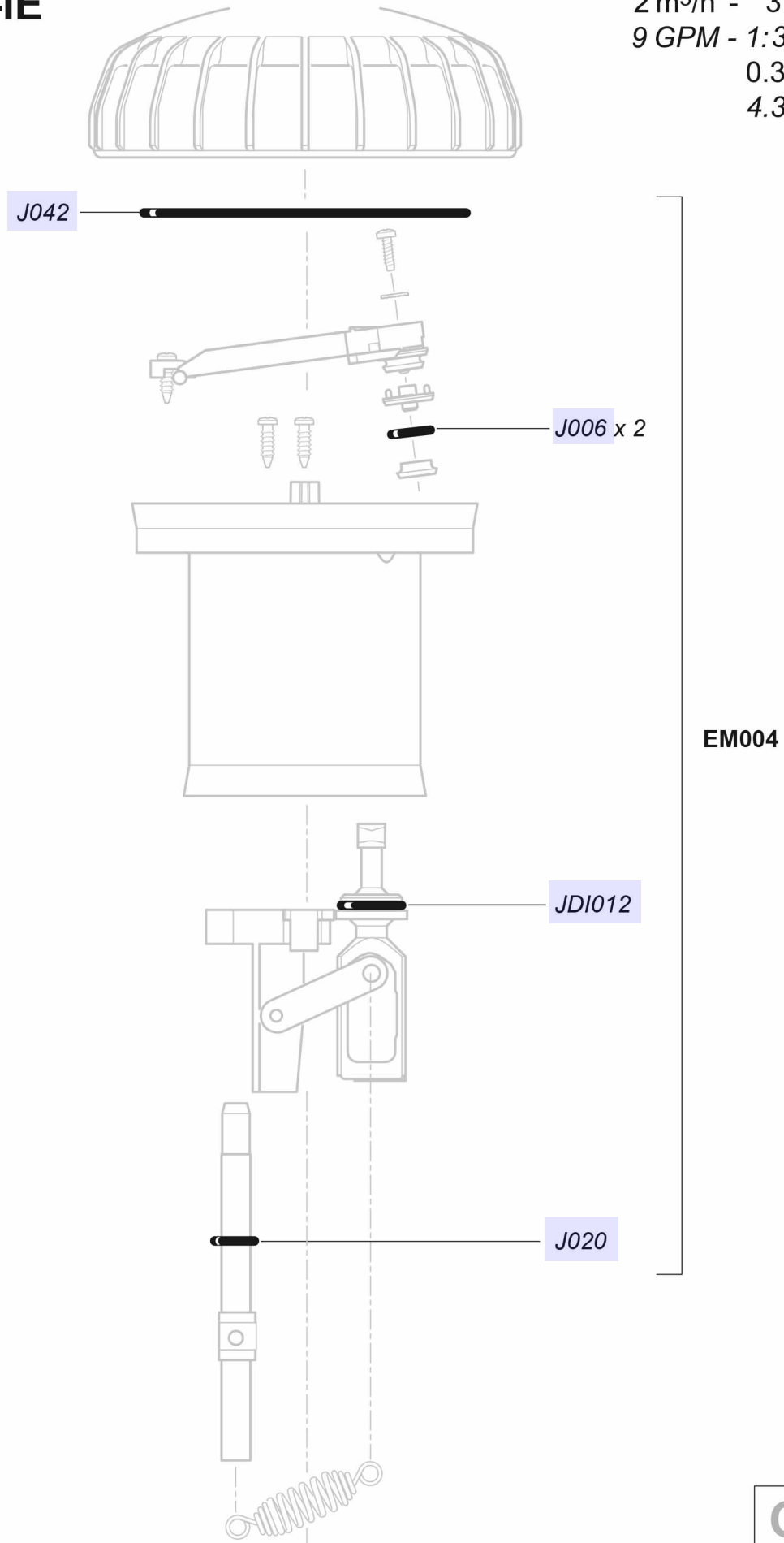
D25RE10-IE

2 m³/h - 3 - 10%
 9 GPM - 1:33 - 1:10
 0.3 - 6 bar
 4.3 - 85 psi



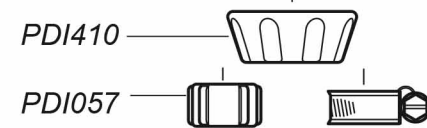
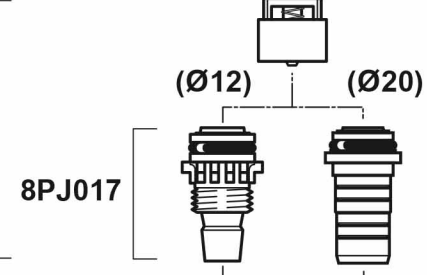
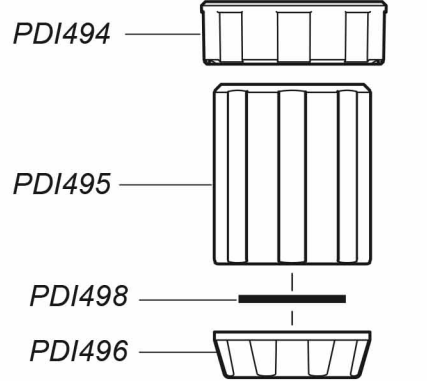
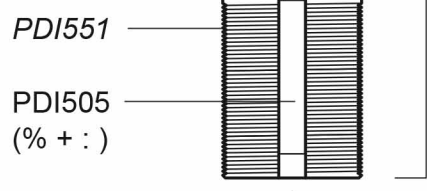
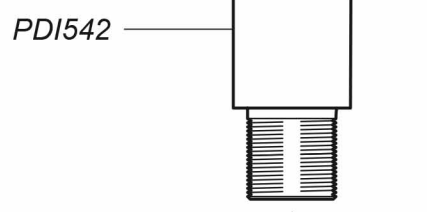
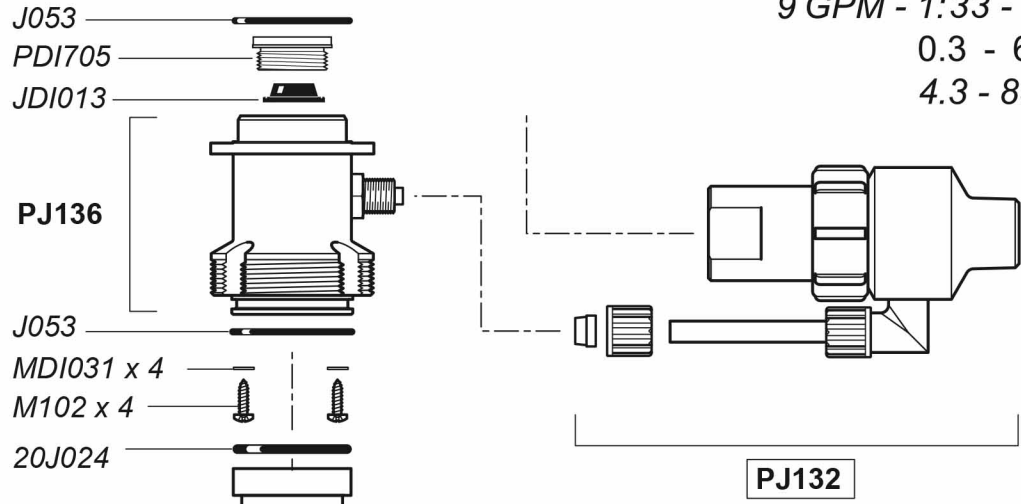
D25RE10-IE

2 m³/h - 3 - 10%
9 GPM - 1:33 - 1:10
0.3 - 6 bar
4.3 - 85 psi

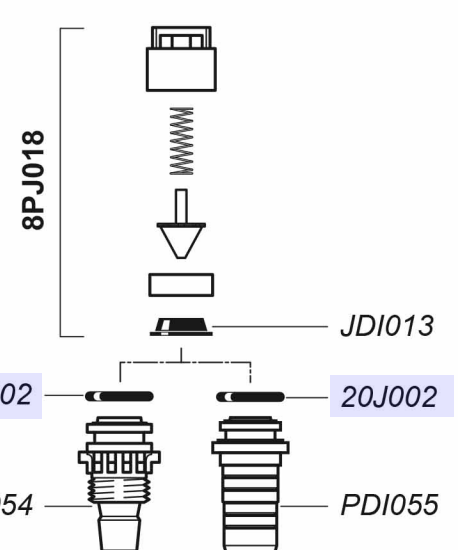


D25RE10-IE

2 m³/h - 3 - 10%
 9 GPM - 1:33 - 1:10
 0.3 - 6 bar
 4.3 - 85 psi



PE012



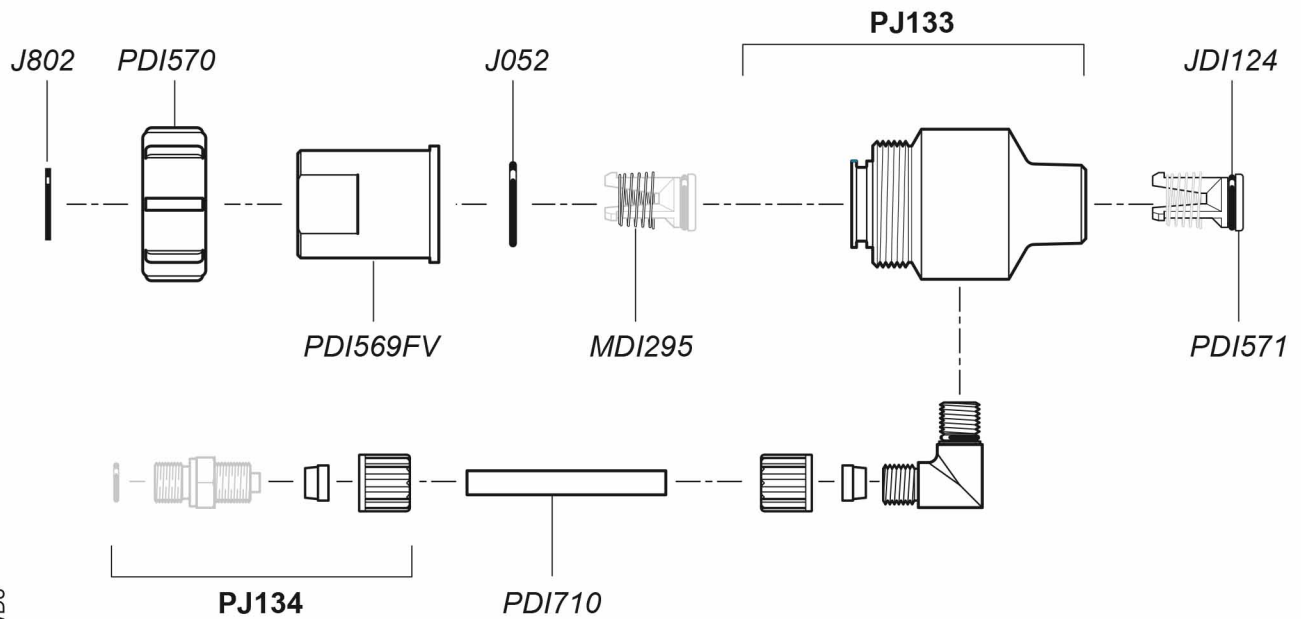
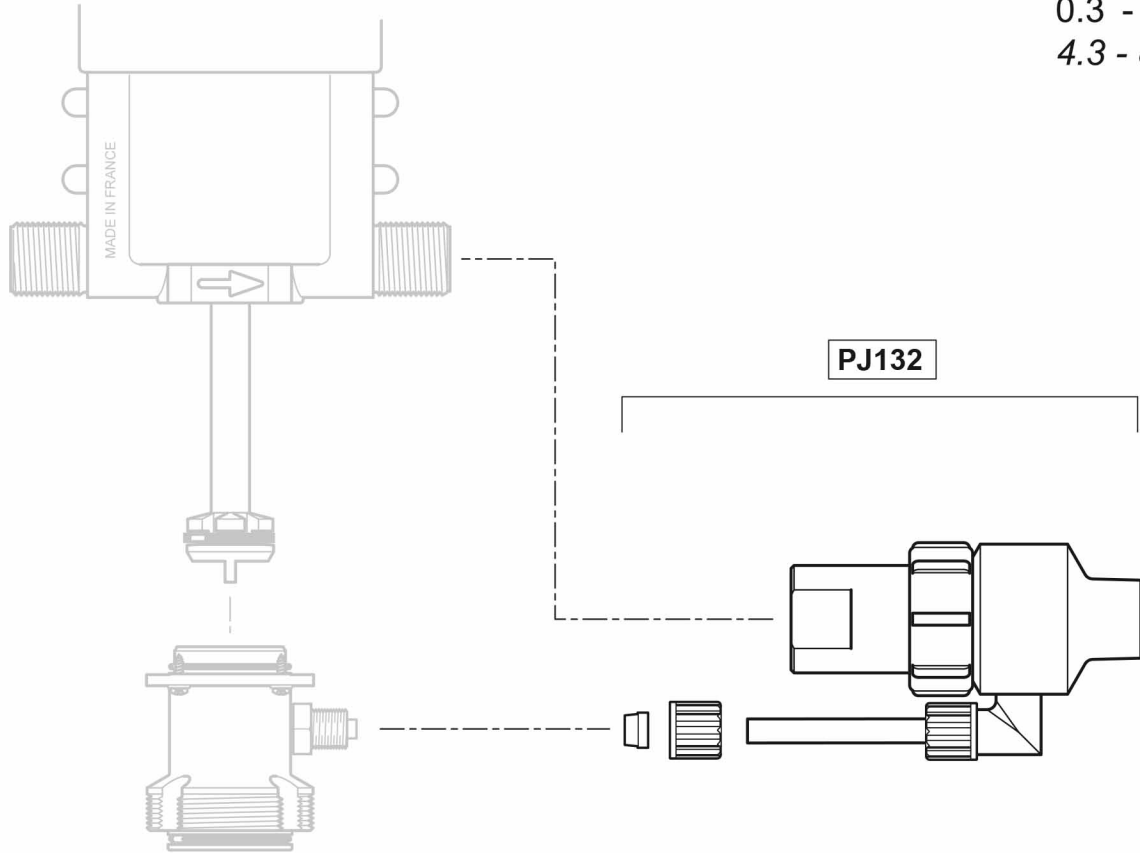
CD102 (Ø12)
 CD102V (Ø20)

PJD1006 (Ø12)
 PJD1007 (Ø20)

D+IE

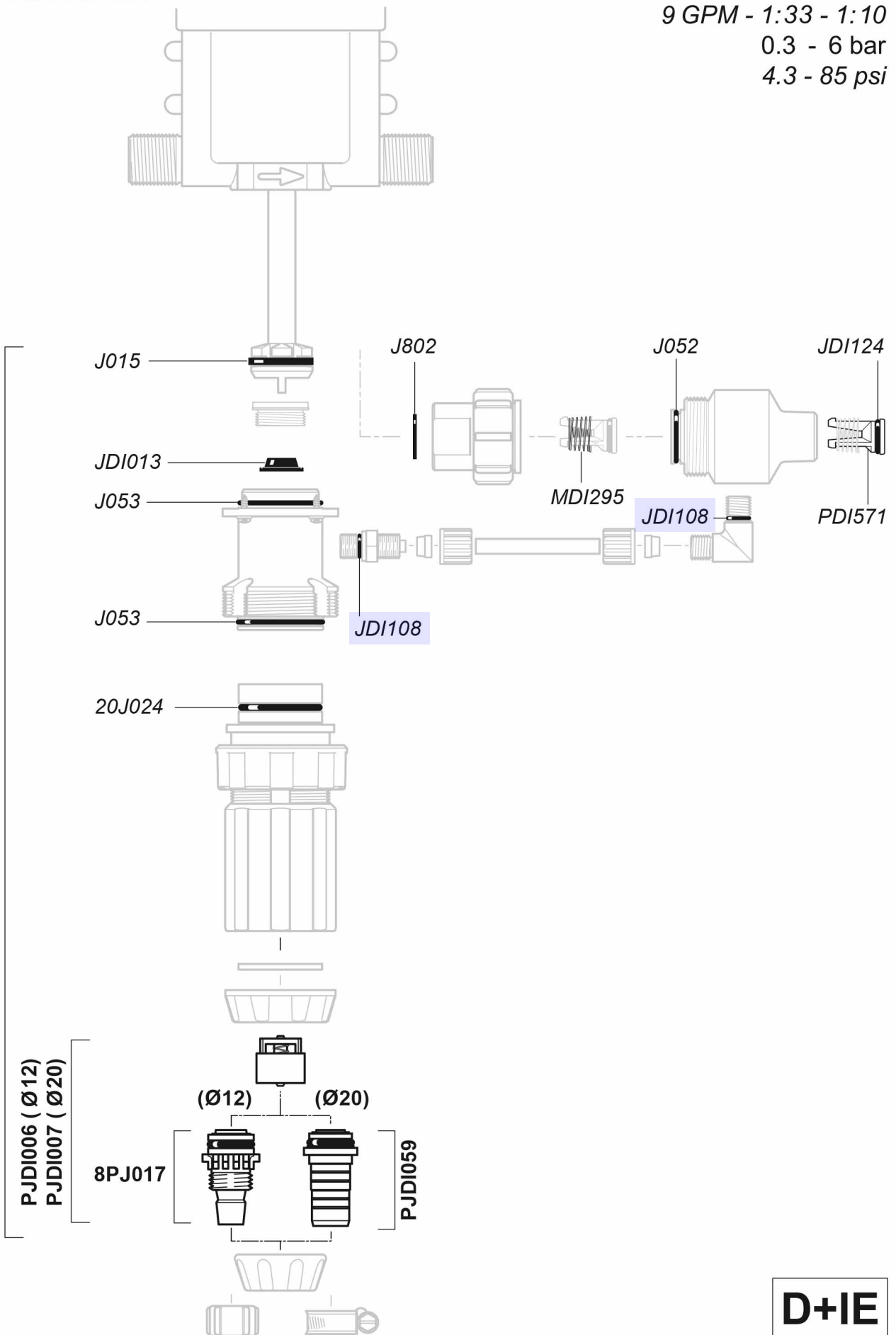
D25RE10-IE

2 m³/h - 3 - 10%
9 GPM - 1:33 - 1:10
0.3 - 6 bar
4.3 - 85 psi



D25RE10-IE

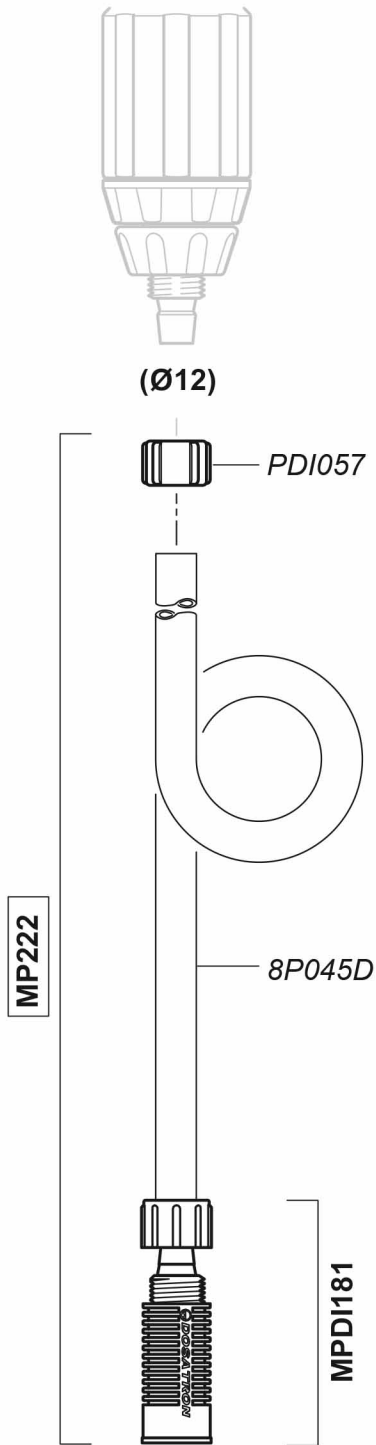
2 m³/h - 3 - 10%
 9 GPM - 1:33 - 1:10
 0.3 - 6 bar
 4.3 - 85 psi



PJ140 ($\varnothing 12$)
 PJ140V ($\varnothing 20$)

D25RE10-IE

2 m³/h - 3 - 10%
9 GPM - 1:33 - 1:10
0.3 - 6 bar
4.3 - 85 psi



Option "V"

