



SCHEMATICS

Dosatron Liquid Dispenser

Model # D14MZ1000 - 14 GPM

1:1000 - 1:100

4.3 - 85 PSI

Suggested Installation:

200 mesh/80 micron water filter prior to unit

One-way water hammer arrestor downstream from unit
for water hammer protection

Suggested Maintenance:

Replace injection seals every 12 months

DOSATRON SALES & SERVICE - NORTH & CENTRAL AMERICA

Dosatron International, LLC

Phone: 727-443-5404 Service: (800) 523-8499

Fax: 727-447-0591

www.dosatron.com

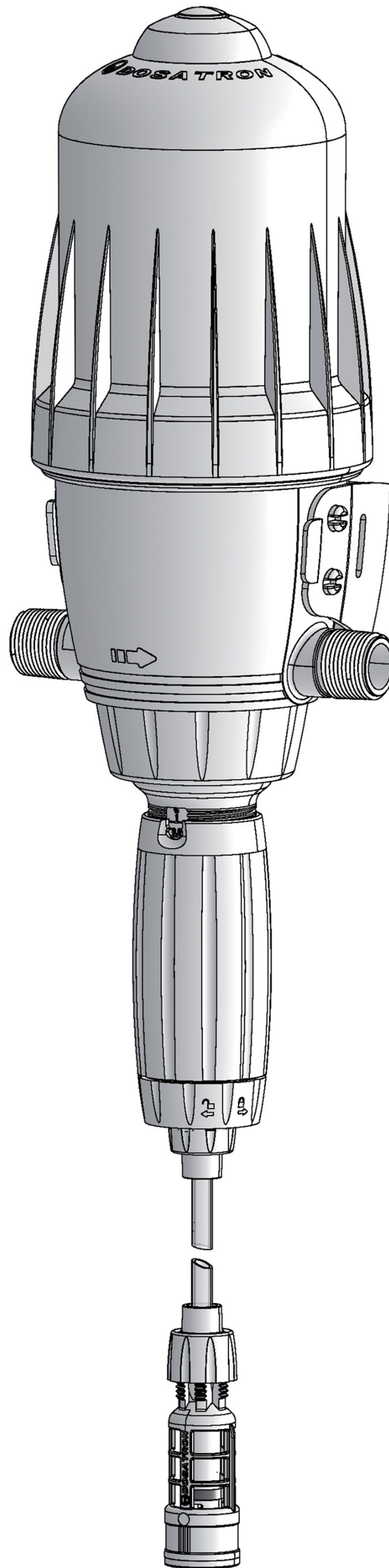
D14MZ1000

14GPM - 1:1000 - 1:100

$3m^3/h$ - 0.1 - 1%

4.3 - 85 psi

0.3 - 6 bar



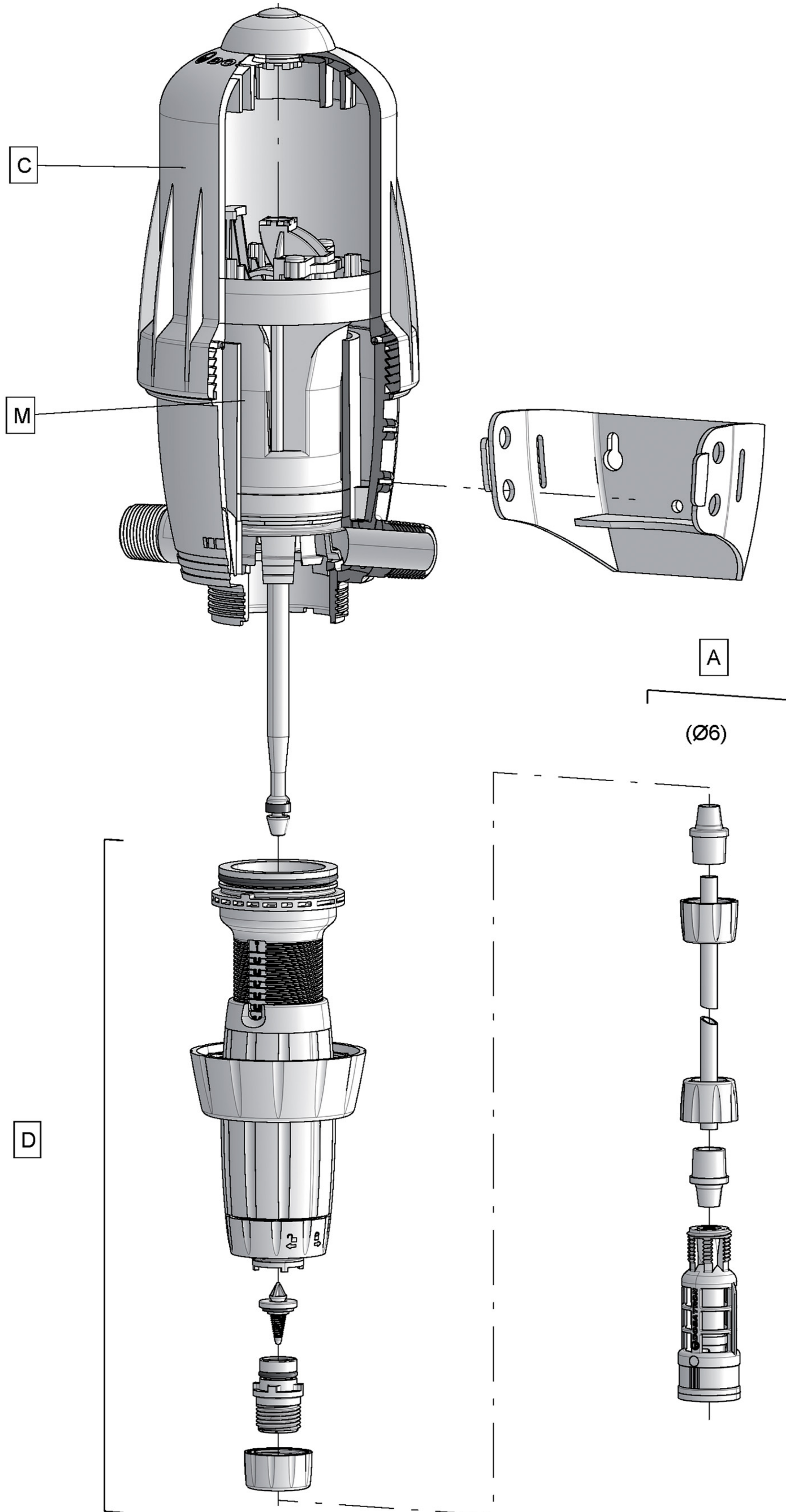
D14MZ1000

14GPM - 1:1000 - 1:100

3m³/h - 0.1 - 1%

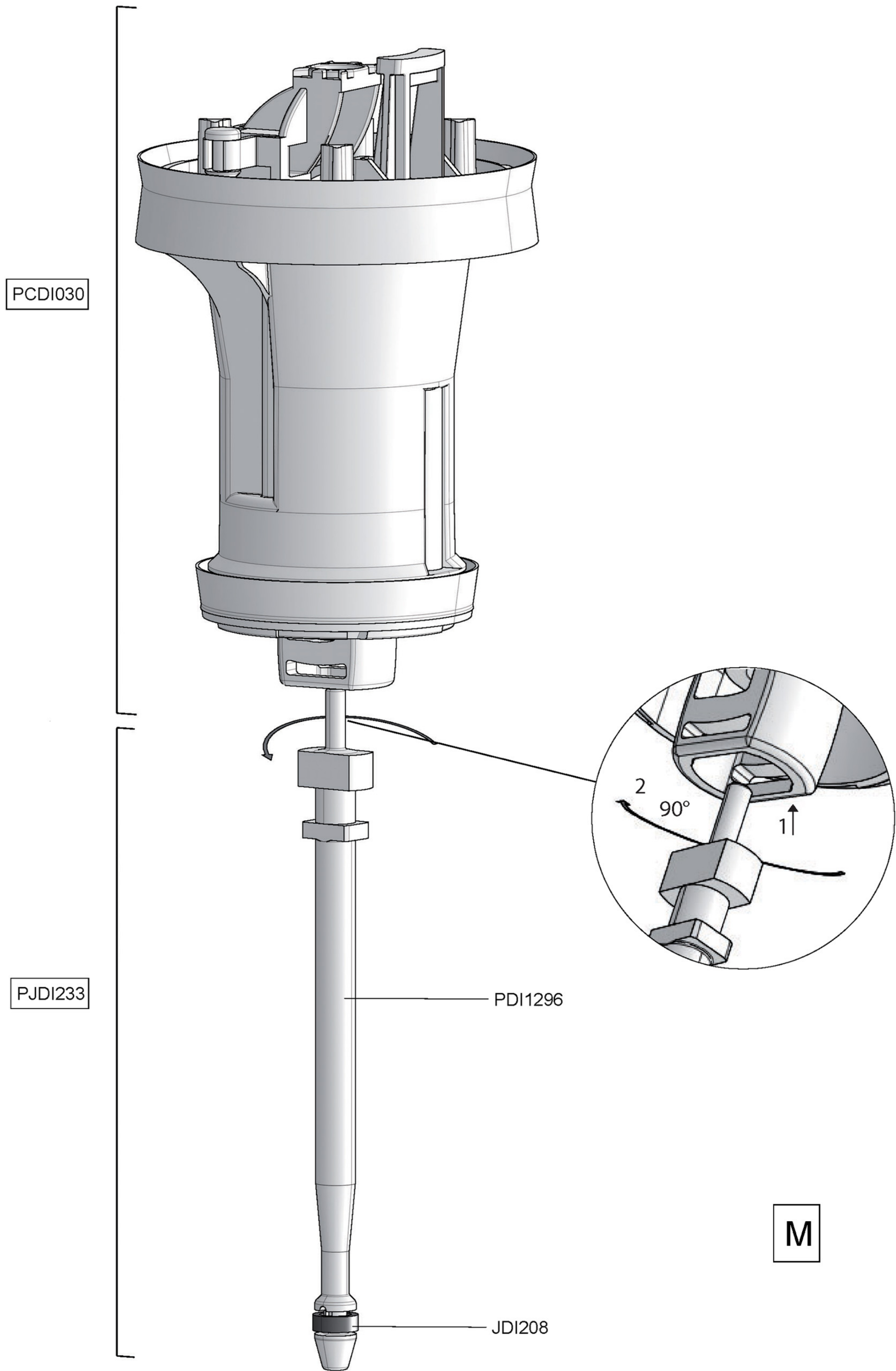
4.3 - 85 psi

0.3 - 6 bar



D14MZ1000

14GPM - 1:1000 - 1:100
3m³/h - 0.1 - 1%
4.3 - 85 psi
0.3 - 6 bar



M

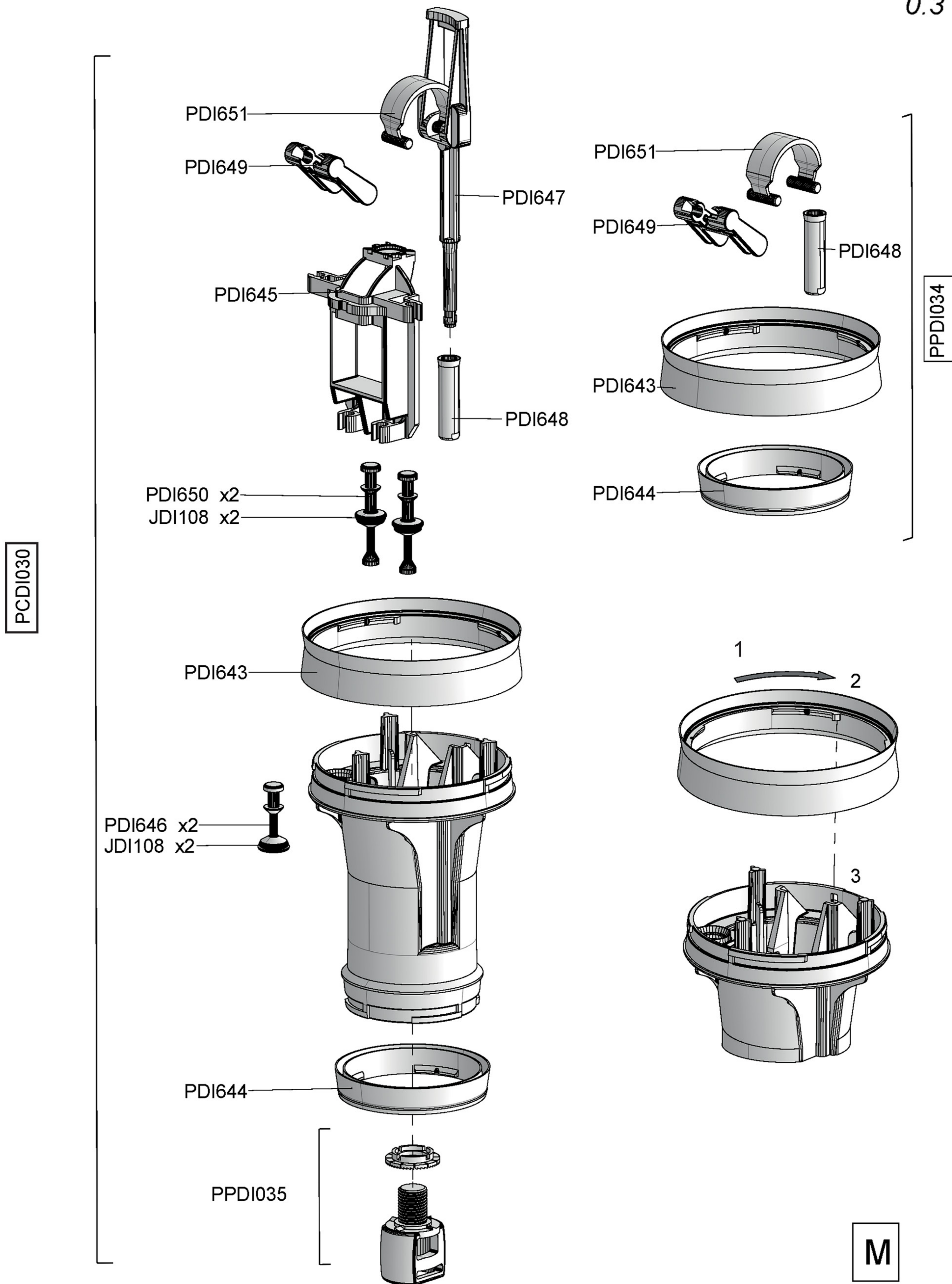
D14MZ1000

14GPM - 1:1000 - 1:100

3m³/h - 0.1 - 1%

4.3 - 85 psi

0.3 - 6 bar



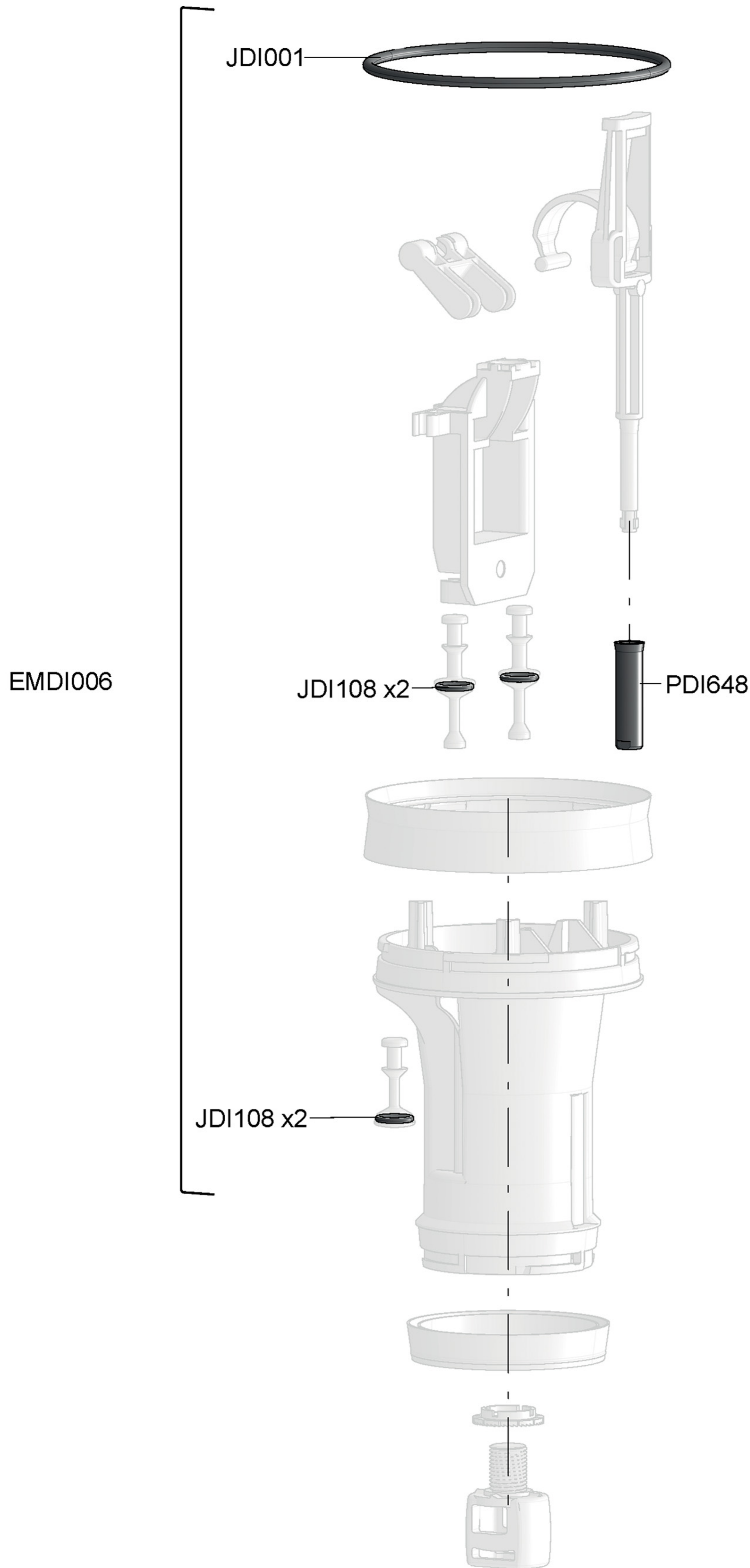
D14MZ1000

14GPM - 1:1000 - 1:100

$3m^3/h$ - 0.1 - 1%

4.3 - 85 psi

0.3 - 6 bar



M

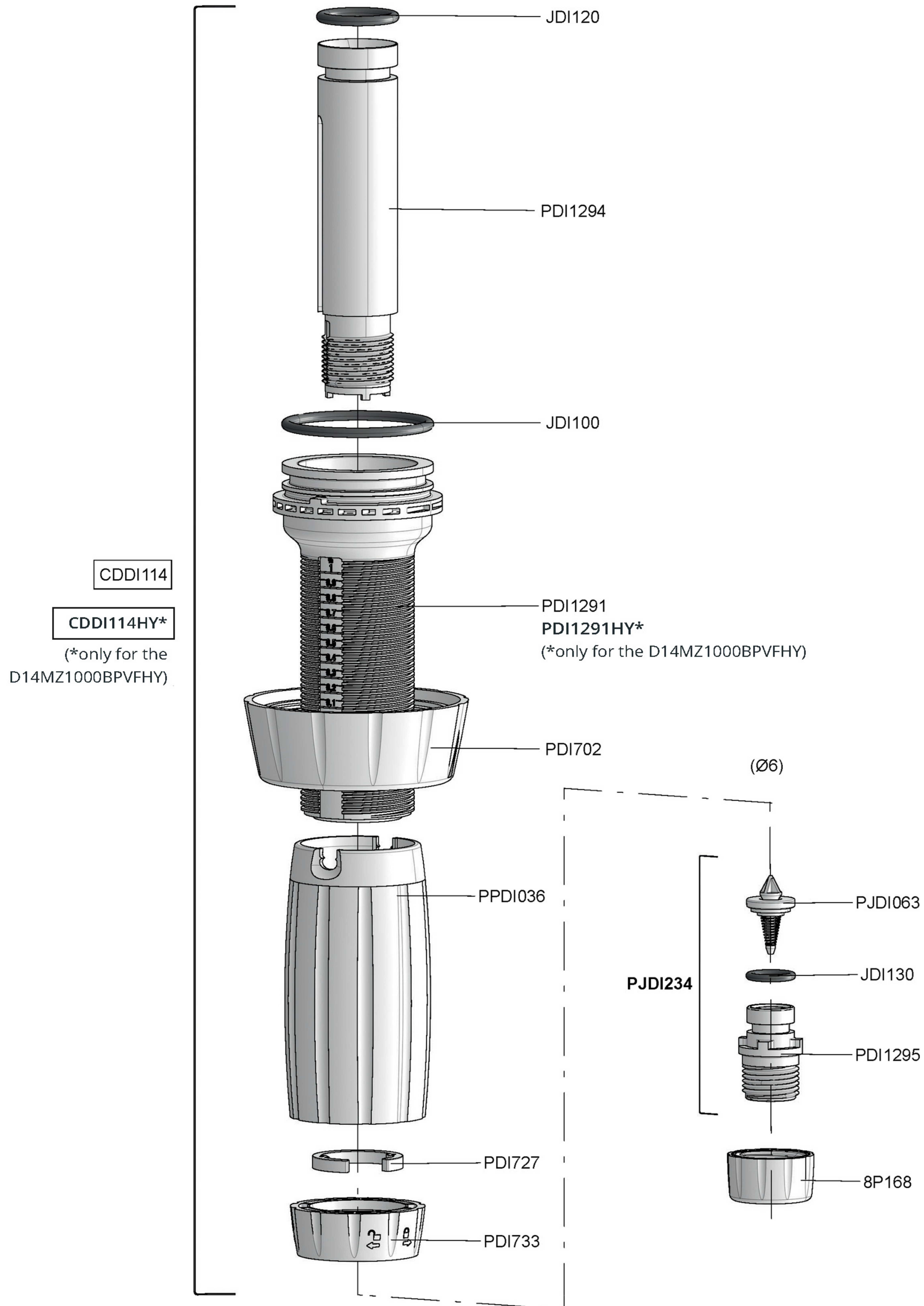
D14MZ1000

14GPM - 1:1000 - 1:100

3m³/h - 0.1 - 1%

4.3 - 85 psi

0.3 - 6 bar



D

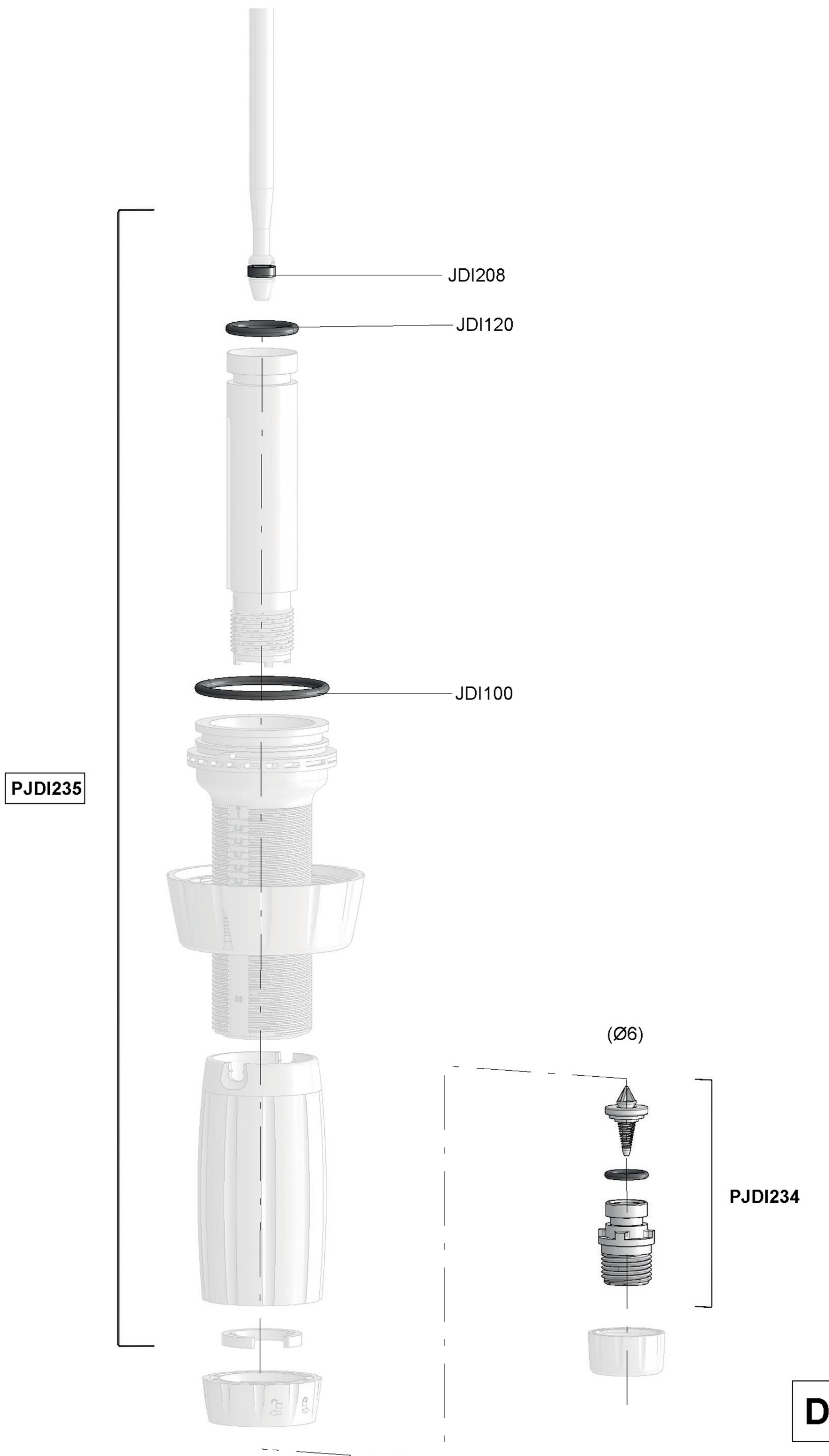
D14MZ1000

14GPM - 1:1000 - 1:100

$3m^3/h$ - 0.1 - 1%

4.3 - 85 psi

0.3 - 6 bar



D14MZ1000

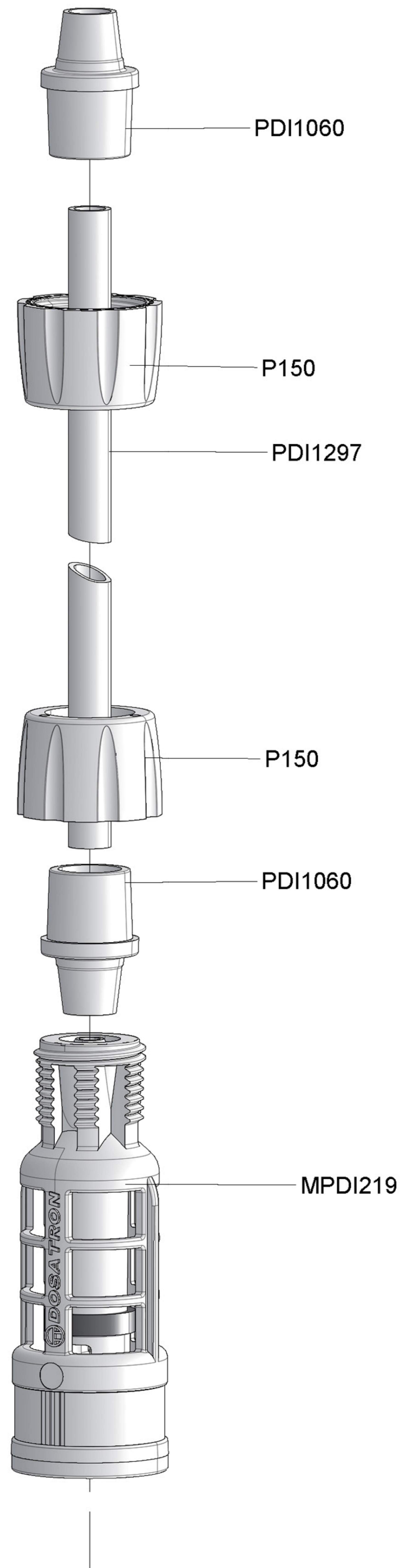
14GPM - 1:1000 - 1:100

$3m^3/h$ - 0.1 - 1%

4.3 - 85 psi

0.3 - 6 bar

MPDI258



A