



DOSATRON®

WATER POWERED DOSING TECHNOLOGY

132 GPM: D132MZ1

PRODUCT DESCRIPTION

The Dosatron D132MZ1-132 GPM is part of our innovative Nutrient Delivery System Mega-Flo series. This product has a maximum flow of 132 GPM and a minimum flow of 35.2 GPM with a 3" NPT connection. The D132MZ1 fertilizer injector is water-powered with a ratio range of 1:1000 to 1:100 and is perfect for berry farms, hemp, and large acreage applications. It also injects insecticides, fungicides, algicides, acids, wetting agents, and disinfectants.



PRODUCT SPECIFICATIONS

| | |
|---------------------------|---|
| Dilution Range: | 1:1000 to 1:100 |
| Injection Percents: | 0.1 to 1% |
| Water Flow Range: | 35.2 to 132 GPM |
| Operating Pressure Range: | 7 to 87 PSI |
| Weight: | 33 lbs |
| Connection Size: | 3" NPT |
| Maximum Temperature: | 104° F |
| Included Accessories: | Suction tube, strainer, and operating manual |
| Recommended Accessories: | Filter - part #: AKF5AP132-A, Bypass - part #: MPDI196 |

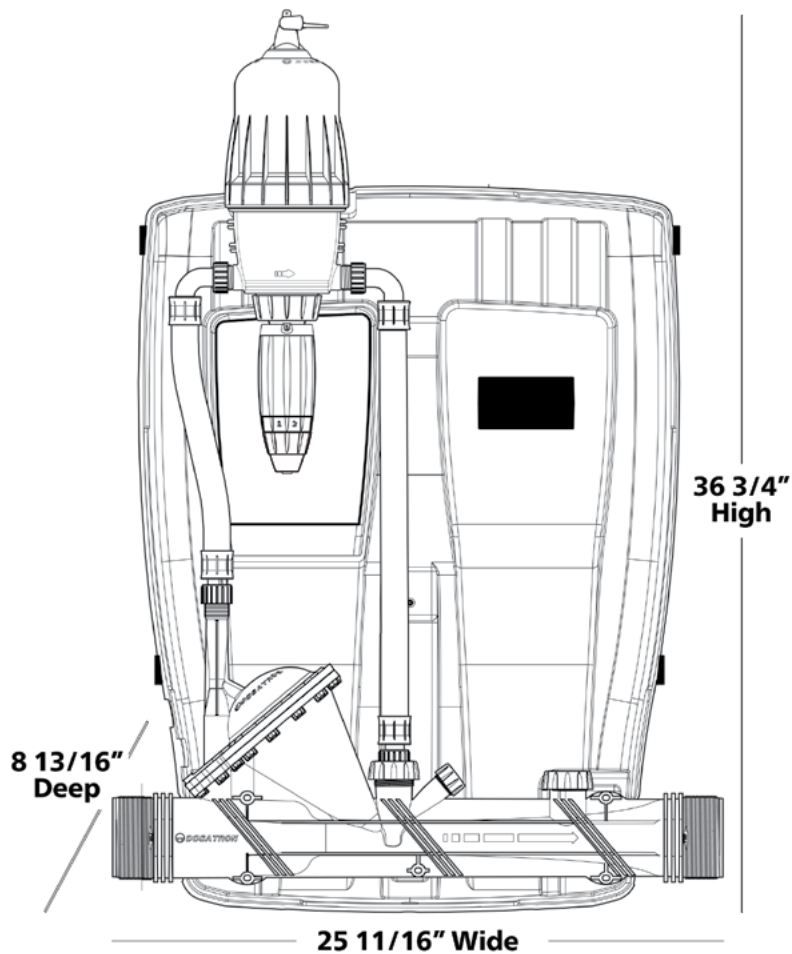
Call 800-523-8499 to order the Dosatron for your specific application



DOSATRON®

WATER POWERED DOSING TECHNOLOGY

132 GPM: D132MZ1



Dosatron International
2090 Sunnysdale Blvd. • Clearwater, FL, USA
800-523-8499 • www.dosatronusa.com

Dosatron International, LLC. is an industry leader in water-powered, proportional chemical injectors. Dosatron products are manufactured according to ISO 9001:2000 and ISO 14001:2004 standards.